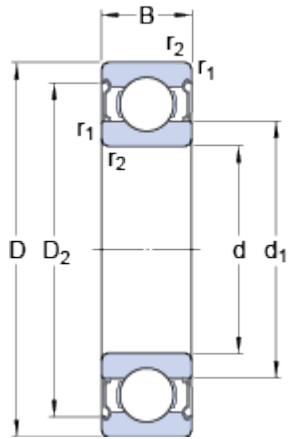


6313-2Z

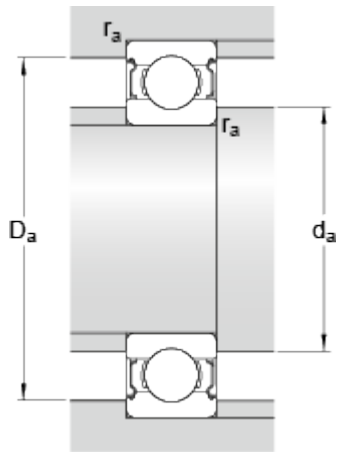
SKF Explorer

Dimensions



d		65	mm
D		140	mm
B		33	mm
d_1	≈	88.35	mm
D_2	≈	121.3	mm
$r_{1,2}$	min.	2.1	mm

Abutment dimensions



d_a	min.	77	mm
d_a	max.	88.3	mm
D_a	max.	128	mm
r_a	max.	2	mm

Calculation data

Basic dynamic load rating	C	97.5	kN
Basic static load rating	C_0	60	kN
Fatigue load limit	P_u	2.5	kN
Reference speed		10000	r/min
Limiting speed		5300	r/min
Calculation factor	k_r	0.03	
Calculation factor	f_0	13.2	

Mass

Mass bearing		2.159	kg
--------------	--	-------	----