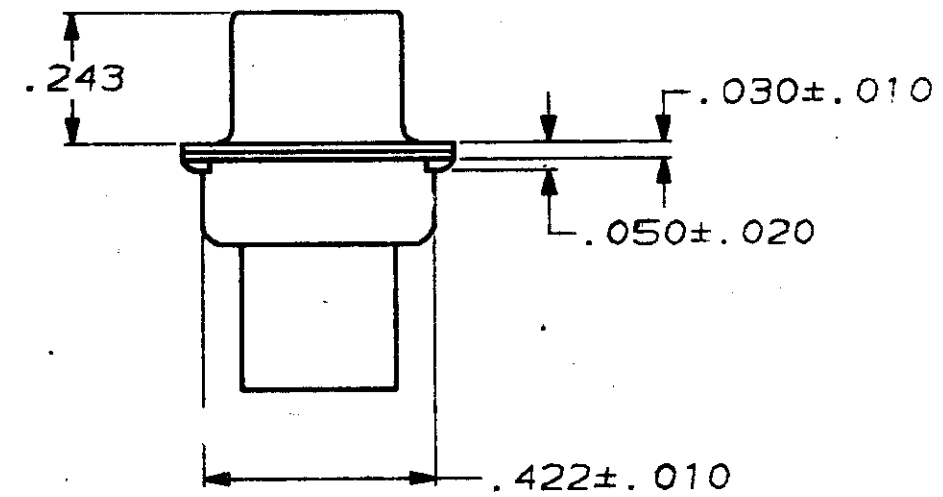
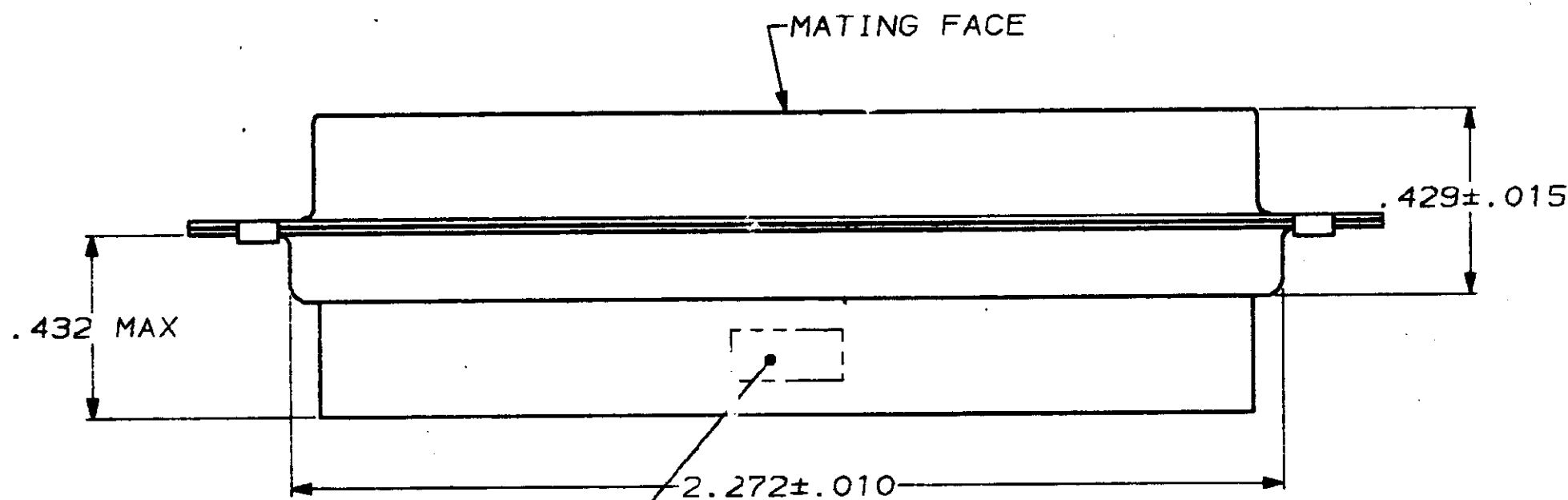
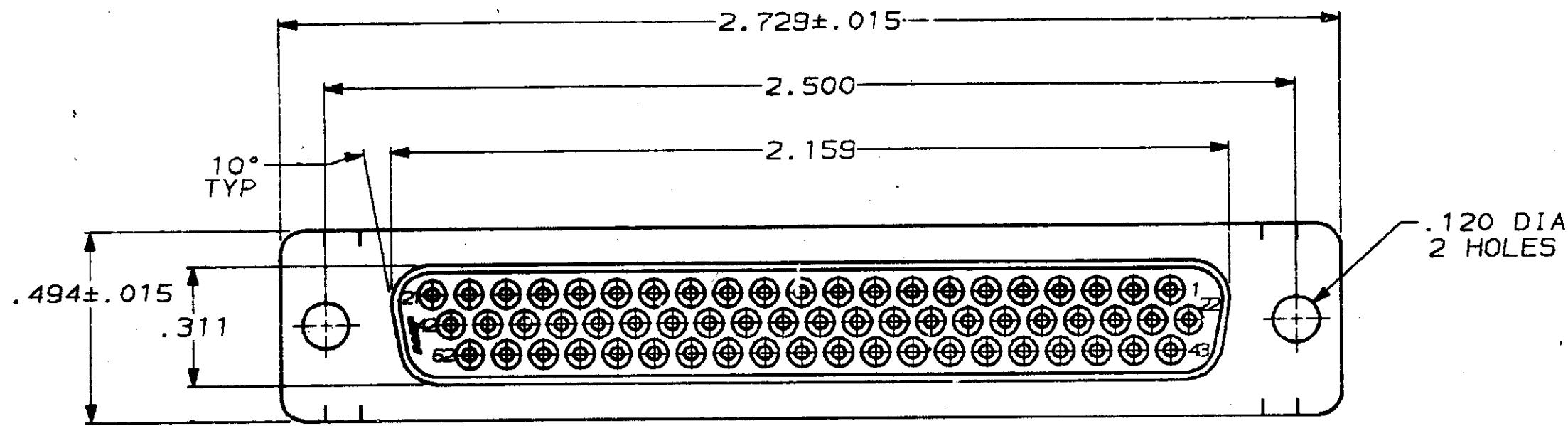


DRAWING MADE IN THIRD ANGLE PROJECTION

THIS DRAWING IS UNPUBLISHED. RELEASED FOR PUBLICATION .19  
 © COPYRIGHT 19 BY AMP INCORPORATED. ALL INTERNATIONAL RIGHTS RESERVED.

LOC		DIST		P		F		ZONE		LTR		REVISIONS		DATE	APPD
BD	39												REL WAS 87-4870-16	-	-



AMP, PART NO & DATE CODE, MARKED IN AREA INDICATED, ON FAR SIDE

1. CONNECTOR ACCEPTS SIZE 22 DF SOCKET CONTACTS, RETENTION TINES ARE AN INTEGRAL PART OF INSERT.
2. FLAME RETARDANT 94V-0 RATED GLASS FILLED NYLON, COLOR: BLACK.
3. STEEL PER ASTM A109.
4. TIN PLATED PER MIL-T-10727.

748568-1

PART NO

DO NOT SCALE PRINT.  
 UNLESS SPECIFIED  
 DIMENSIONS IN INCHES  
 TOLERANCES ON:  
 2 PLC DEC ± -  
 3 PLC DEC ± .005  
 ANGLES ± 2°

MATERIAL  
 MOLDED PARTS: 2  
 SHELLS: 3

FINISH  
 SHELLS: 4

DR: *C. Richard* 1-12-88  
 CHK: *W.G. Lecker* 1-14-88  
 APPD: *J. Bullock* 1/14/88  
 APPD: *V. Kumar* 1/14/88  
 PRODUCT SPEC

APPLICATION SPEC  
 WEIGHT

**AMP** | AMP INCORPORATED  
 Harrisburg, Pa. 17105

NAME  
 RECEPTACLE CONNECTOR, SIZE 4, 62 POSN,  
 AMPLIMITE® HDP-22

SIZE	FSCM NO	DRAWING NO
<b>C</b>	00779	748568
SCALE	3:1	SHEET 1 OF 1