



The Laird GPS1575P or Mini GPS is a rugged, high performance, and cost-effective solution for most GPS or asset tracking applications. The small form factor makes it easy to install on or in vehicles or buildings. It is designed to withstand impact as well as water and dust intrusion (IP67 rated). The antenna can be configured with different cable types, in varying lengths and with various connector types.

Laird has a full line of high performance, cost effective GPS antennas for any telematics or GPS application.

### FEATURES AND BENEFITS

- High performance in a small form factor
- IP67 rated for use in highly demanding environments and operating conditions
- Rugged impact resistant housing
- Various connector options

### APPLICATIONS

- Fleet and logistics management
- General automotive aftermarket
- Highway construction
- Land Surveying and management
- Asset visibility and tracking
- Warehouse management

#### ELECTRICAL SPECIFICATIONS

Frequency Center	1575.42 MHz +/-3 MHz
Gain (dBi) – Typ	28.0
Gain (dBi) – Max	32.0
VSWR – Avg	2.0:1
Input Power (dBm)	-30
Noise Figure (dB) – Max	1.5 (@ 2.5-5 Vdc, 1575.42 MHz)
Supply Voltage (Vdc)	2.5-5
Maximum Current (mA)	15
Bandwidth	±2.0 (1573.42-1577.42 MHz)
Nominal Impedance (Ohms)	50
Polarization	RHCP
Intersection Loss BW (dB) – Max	3.5
Attenuation Absolute Value (dB) – Min	45 (@ 1475.42 MHz) 25 (@ 1525.42 MHz) 18 (@ 1625.42 MHz)

#### MECHANICAL SPECIFICATIONS

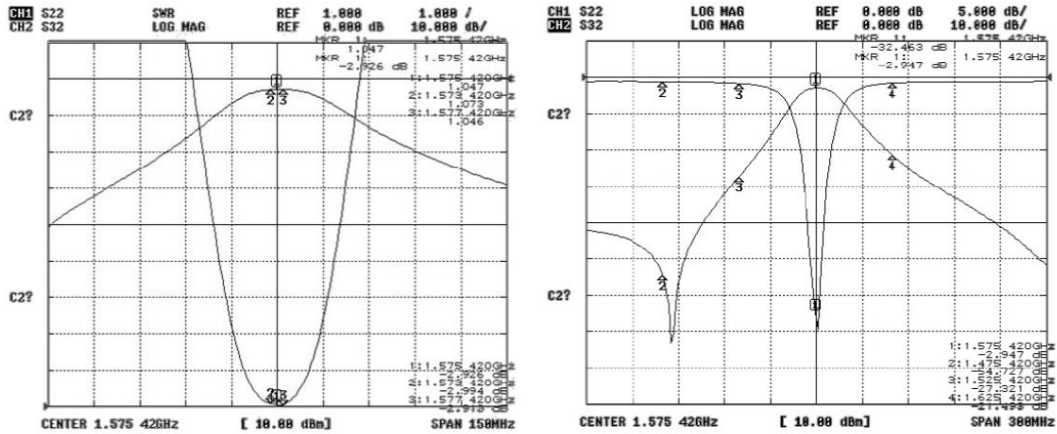
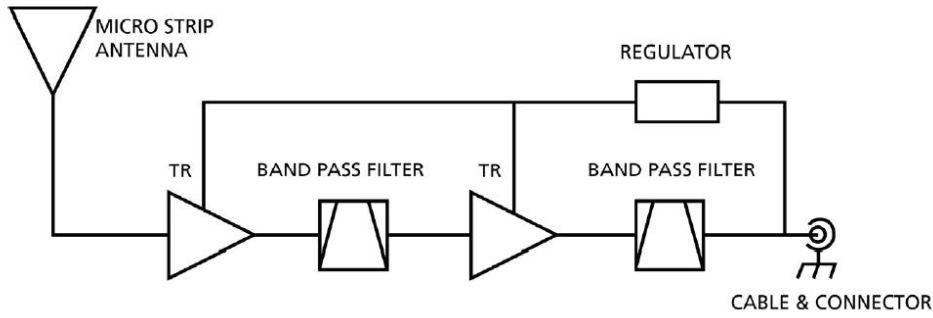
Dimensions – diameter x height – cm (inches)	4.85 x 1.70 (1.91 x 0.67)
Radome Material	Lexan PC Impact UV-stabilized
Mounting Method	Aluminum stud and base M12 X 1.5 thread, stainless steel lock washer and heavy-duty nut

#### ENVIRONMENTAL SPECIFICATIONS

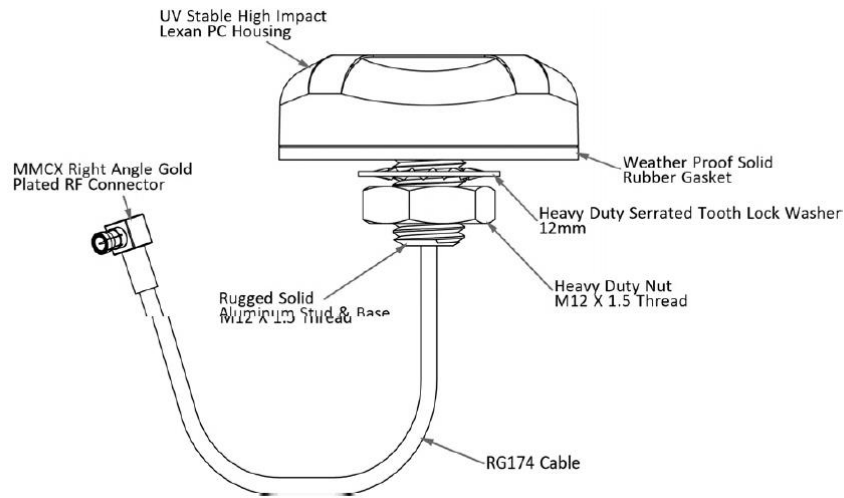
Operating Temperature – °C (°F)	-35 to +75°C (-31 to +167°F)
Ingress Protection Rating	IP67
Material Substance Compliance	RoHS

#### CONFIGURATION

PART NUMBER	CABLE LENGTH	CONNECTOR
GPS1575SP26-004	203.2 cm (80 in.) RG174	RA MMCX
GPS1575SP26-005	203.2 cm (80 in.) RG174	MCXM
GPS15MGBNC	38.1 cm (15 in.) RG174	BNC
GPS15MGSMA	38.1 cm (15 in.) RG174	SMA
GPS15MGSMB	38.1 cm (15 in.) RG174	SMB
GPS15MGTNC	38.1 cm (15 in.) RG174	TNC



MECHANICAL DRAWING



Laird warrants to the original end user customer of its products that its products are free from defects in material and workmanship. Subject to conditions and limitations Laird will, at its option, either repair or replace any part of its products that prove defective because of improper workmanship or materials. This limited warranty is in force for the useful lifetime of the original end product into which the Laird product is installed. Useful lifetime of the original end product may vary but is not to exceed five (5) years from the original date of the end product purchase.

Any information furnished by Laird Inc. and its agents is believed to be accurate and reliable. All specifications are subject to change without notice. Responsibility for the use and application of Laird materials rests with the end user, since Laird and its agents cannot be aware of all potential uses. Laird makes no warranties as to the fitness, merchantability or suitability of any Laird materials or products for any specific or general uses. Laird shall not be liable for incidental or consequential damages of any kind. All Laird products are sold pursuant to the Laird Terms and Conditions of sale in effect from time to time, a copy of which will be furnished upon request.

© Copyright 2019 Laird Inc. All Rights Reserved. Laird, Laird Technologies, the Laird Logo, and other marks are trademarks or registered trademarks of Laird Inc. or an affiliate company thereof. Other product or service names may be the property of third parties. Nothing herein provides a license under any Laird or any third party intellectual property rights.

sales@lairdconnect.com  
support@lairdconnect.com  
www.lairdconnect.com

