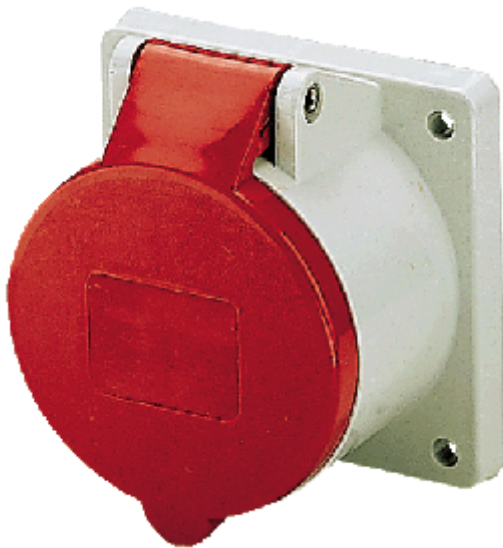
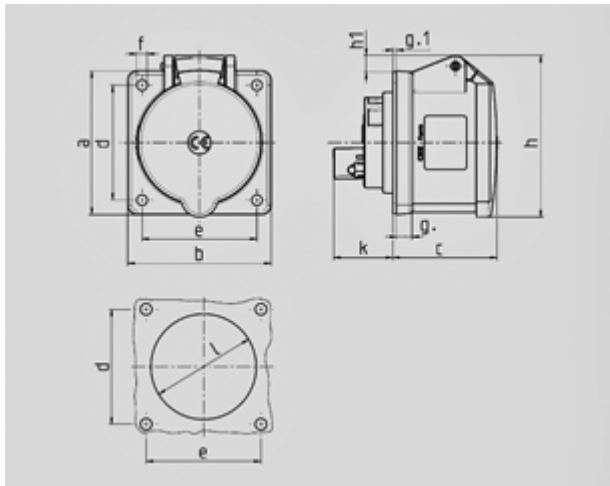


Panel mounted socket - Part no. 3451


- screw terminals
- straight

| | |
|-----------------------|-----------------|
| Protection type | IP 44 |
| Ampere | 32 A |
| Poles | 5p |
| Voltage | 400 |
| Hertz | 50-60Hz |
| Earth position | 6h |
| Contact | standard |
| Connection technology | Screw terminals |

Std. Pack. 10 Qty.



| Drawing | Amp. | 16 | | | 32 | | |
|-------------------|---|-----|-----|-----|-----|-----|-----|
| | | 3 | 4 | 5 | 3 | 4 | 5 |
| 1 MB 247 | Poles | | | | | | |
| Dim. in mm | a | 75 | 75 | 75 | 75 | 75 | 75 |
| | b | 75 | 75 | 75 | 75 | 75 | 75 |
| | c | 53 | 53 | 55 | 64 | 64 | 65 |
| | d | 60 | 60 | 60 | 60 | 60 | 60 |
| | e | 60 | 60 | 60 | 60 | 60 | 60 |
| | f | 5.5 | 5.5 | 5.5 | 5.5 | 5.5 | 5.5 |
| | g. | 8 | 8 | 8 | 8 | 8 | 8 |
| | g.1 | 2 | 2 | 2 | 2 | 2 | 2 |
| | h | 75 | 80 | 83 | 89 | 89 | 100 |
| | h1 | | 6 | 8 | 11 | 11 | 12 |
| | k | 31 | 32 | 32 | 39 | 39 | 39 |
| | l | 43 | 52 | 54 | 58 | 58 | 62 |
| | Terminal for cond. cross section (mm²) min.-max. | 1.5 | 1.5 | 1.5 | 2.5 | 2.5 | 2.5 |
| | | -4 | -4 | -4 | -10 | -10 | -10 |