

DR 523 & CP 523 High Pressure Regenerative Blower

FEATURES

- Manufactured in the USA – ISO 9001 compliant
- CE compliant – Declaration of Conformity on file
- Maximum flow: 84 SCFM
- Maximum pressure: 158 IWG
- Maximum vacuum: 9.7" Hg (132 IWG)
- Standard motor: 3.0 HP, TEFC
- Cast aluminum blower housing, impeller & cover; cast iron flanges (threaded)
- UL & CSA approved motor with permanently sealed ball bearings
- Inlet & outlet internal muffling
- Quiet operation within OSHA standards

MOTOR OPTIONS

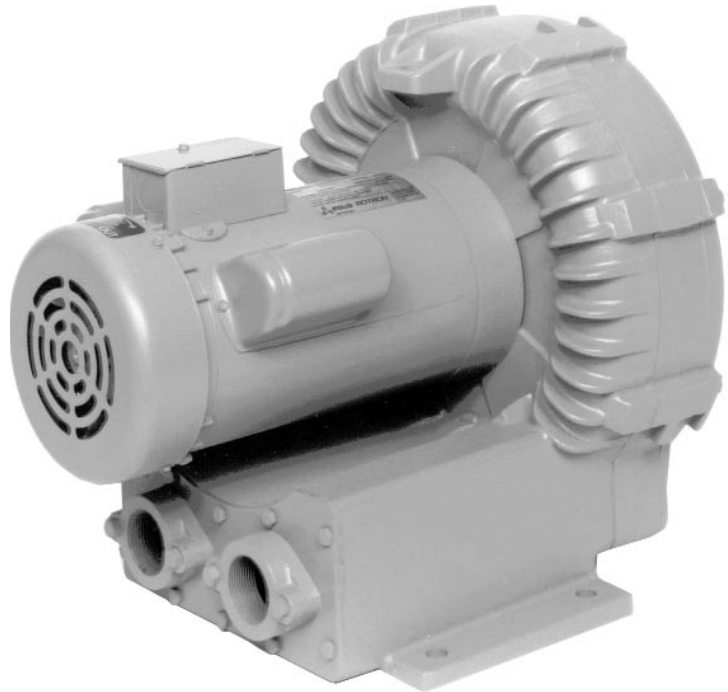
- International voltage & frequency (Hz)
- Chemical duty, high efficiency, inverter duty or industry-specific designs
- Various horsepower for application-specific needs

BLOWER OPTIONS

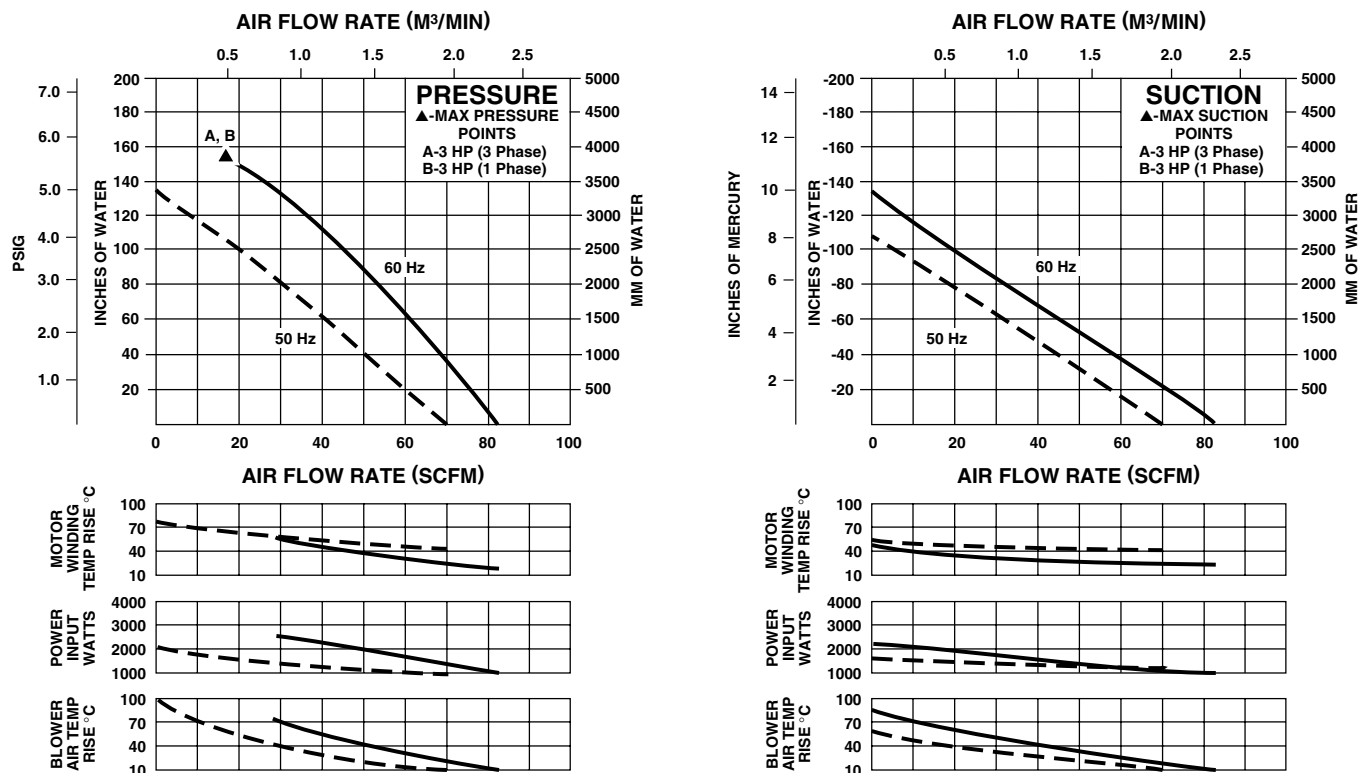
- Corrosion resistant surface treatments & sealing options
- Remote drive (motorless) models
- Slip-on or face flanges for application-specific needs

ACCESSORIES (See Catalog Accessory Section)

- Flowmeters reading in SCFM
- Filters & moisture separators
- Pressure gauges, vacuum gauges & relief valves
- Switches – air flow, pressure, vacuum or temperature
- External mufflers for additional silencing
- Air knives (used on blow-off applications)
- Variable frequency drive package



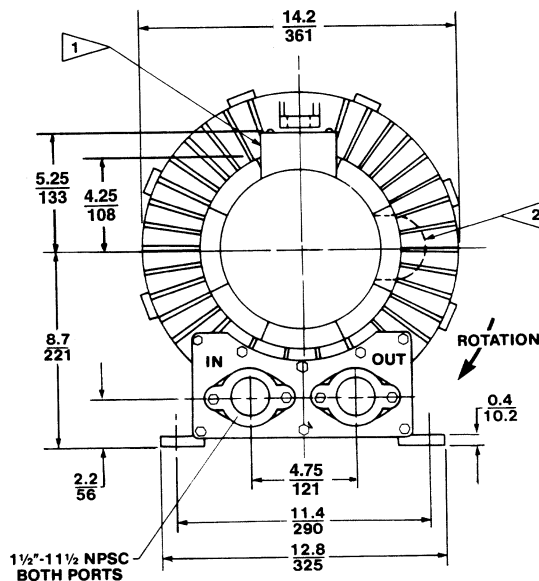
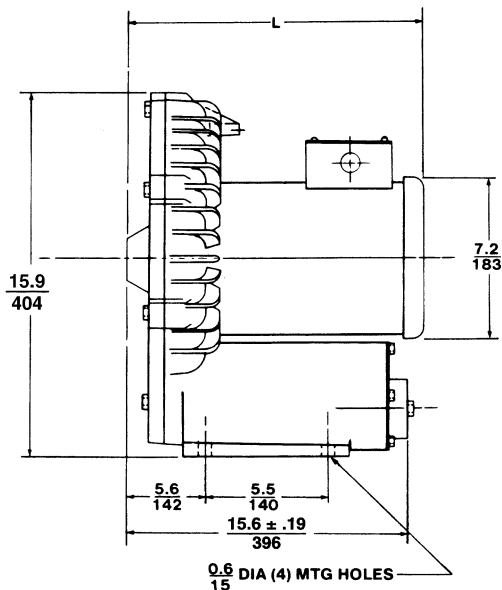
BLOWER PERFORMANCE AT STANDARD CONDITIONS



Rev. 2/01

DR 523 & CP 523 High Pressure Regenerative Blower

Scale CAD drawing available upon request.



DIMENSIONS: $\frac{\text{IN}}{\text{MM}}$
TOLERANCES: .XX \pm $\frac{.08}{2}$
(UNLESS OTHERWISE NOTED)

MODEL	L (IN)	L (MM)
DR523K58	18.5	477
DR523K72	17.9	442
DR523K86	17.8	453
CP523CS72LR	17.4	442

1 TERMINAL BOX CONNECTION 0.9 INCH DIAMETER ON TEFC MOTORS. CONSULT FACTORY FOR TERMINAL BOX DIMENSIONS ON XP MOTORS
2 LOCATION OF CAPACITOR ON SINGLE PHASE MOTORS

SPECIFICATIONS

MODEL	DR523K72	DR523K58	DR523K86	CP523CS72LR
Part No.	037210	037211	037772	038243
Motor Enclosure – Shaft Material	TEFC – CS	TEFC – CS	TEFC – CS	ChemTEFC – SS
Horsepower	3	3	3	Same as DR523K72 – 037210 except add Chemical Processing (CP) features from catalog inside front cover
Voltage ¹	200-230/460	115/230	575	
Phase – Frequency ¹	Three - 60 Hz	Single - 60 Hz	Three - 60 Hz	
Insulation Class ²	F	F	F	
NEMA Rated Motor Amps	8.8-8.6/4.3	25.4/12.72	3.4	
Service Factor	1.15	1.0	1.0	
Locked Rotor Amps	91.3/45.7	196/98	36.4	
Max. Blower Amps ³	8.9/4.45	27.8/13.9	3.4	
Recommended NEMA Starter Size	0/0	1.5/1	0	
Shipping Weight	114 lb (52 kg)	116 lb (53 kg)	114 lb (52 kg)	

¹ Rotron motors are designed to handle a broad range of world voltages and power supply variations. Our dual voltage 3 phase motors are factory tested and certified to operate on both: **208-230/415-460 VAC-3 ph-60 Hz** and **190-208/380-415 VAC-3 ph-50 Hz**. Our dual voltage 1 phase motors are factory tested and certified to operate on both: **104-115/208-230 VAC-1 ph-60 Hz** and **100-110/200-220 VAC-1 ph-50 Hz**. All voltages above can handle a $\pm 10\%$ voltage fluctuation. Special wound motors can be ordered for voltages outside our certified range.

² Maximum operating temperature: Motor winding temperature (winding rise plus ambient) should not exceed 140°C for Class F rated motors or 120°C for Class B rated motors. Blower outlet air temperature should not exceed 140°C (air temperature rise plus inlet temperature). Performance curve maximum pressure and suction points are based on a 40°C inlet and ambient temperature. Consult factory for inlet or ambient temperatures above 40°C.

³ Maximum blower amps corresponds to the performance point at which the motor or blower temperature rise with a 40°C inlet and/or ambient temperature reaches the maximum operating temperature.