



Brand of NTN Group

## Technical data

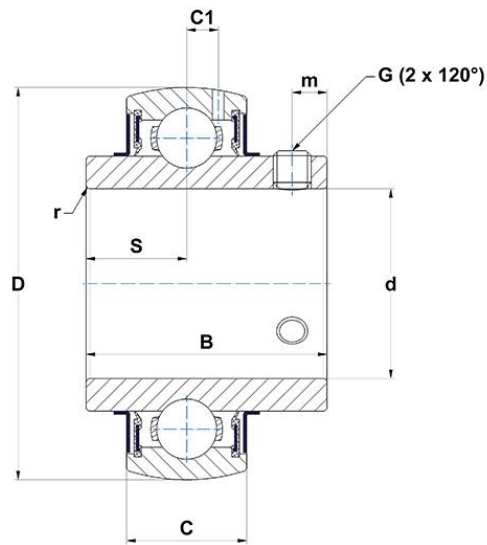
### UC324G2

Insert bearings



Spherical outer diameter with locking pin, fixing by socket set screw, seal with slinger

#### VISUAL (S)



#### PRODUCT DEFINITION

<b>Brand</b>	SNR
<b>B - Width of Inner Ring</b>	126 mm
<b>C - Width of Outer Ring</b>	64 mm
<b>C1 - Distance center of OR to center of lubrication zone</b>	22 mm
<b>d - Shaft diameter</b>	120 mm
<b>D - Outer diameter of OR</b>	260 mm
<b>G - Set screw size</b>	M18x1,5
<b>m - Distance to set screw</b>	18 mm



**NTN Europe**

1 rue des Usines · BP 2017 · 74010 Annecy Cedex · France · Tel. +33 (0)4 50 65 30 00  
 S.A. au capital de 322 639 919 € · RCS ANNECY B 325 821 072 · Id. Fiscale : FR 48 325 821 072  
 SIRET 325 821 072 00015 · Code APE 2815 Z · Code NACE 28.15

### PRODUCT DEFINITION

<b>r - Radius Inner Ring</b>	3
<b>S - Distance front side/bearing centre</b>	51 mm
<b>f0 - Factor</b>	13.2
<b>SW - Wrench size</b>	9 mm

### PRODUCT PERFORMANCE

<b>C - Dynamic load rating</b>	228000000 mN
<b>C0 - Static load rating</b>	208000000 mN
<b>Operating temperature min.</b>	253,15 °K
<b>Operating temperature max.</b>	373,15 °K

### OTHER FEATURES

<b>Mass</b>	18,5 kg
<b>Recommended tightening torque for set screw</b>	75 N-m

### BEARING FREQUENCIES

<b>BPFO - Over rolling frequency on outer ring (60 rpm)</b>	3.09763157894737 Hz
<b>BPMF - Over rolling frequency on inner (60 rpm)</b>	4.90236842105263 Hz
<b>BSF - Over rolling frequency on rolling element (60 rpm)</b>	4.20718713066568 Hz
<b>BRF - Rotational frequency - rolling element (60 rpm)</b>	2.10359356533284 Hz
<b>FTF - Rotational frequency - cage (60 rpm)</b>	0.387203947368421 Hz

