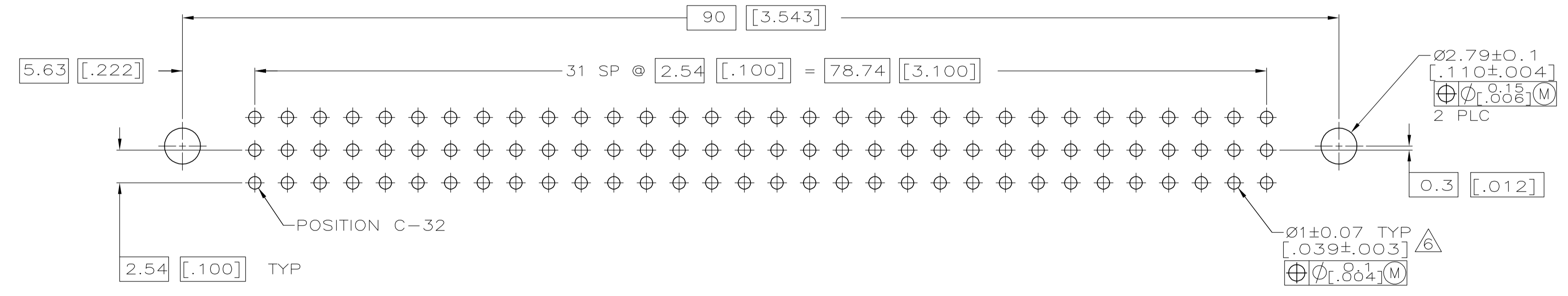
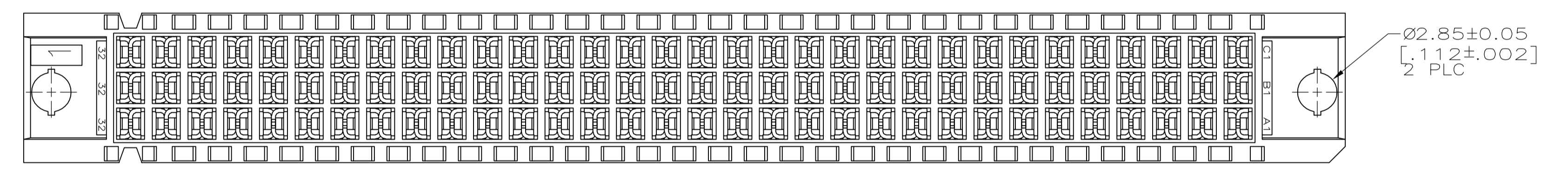
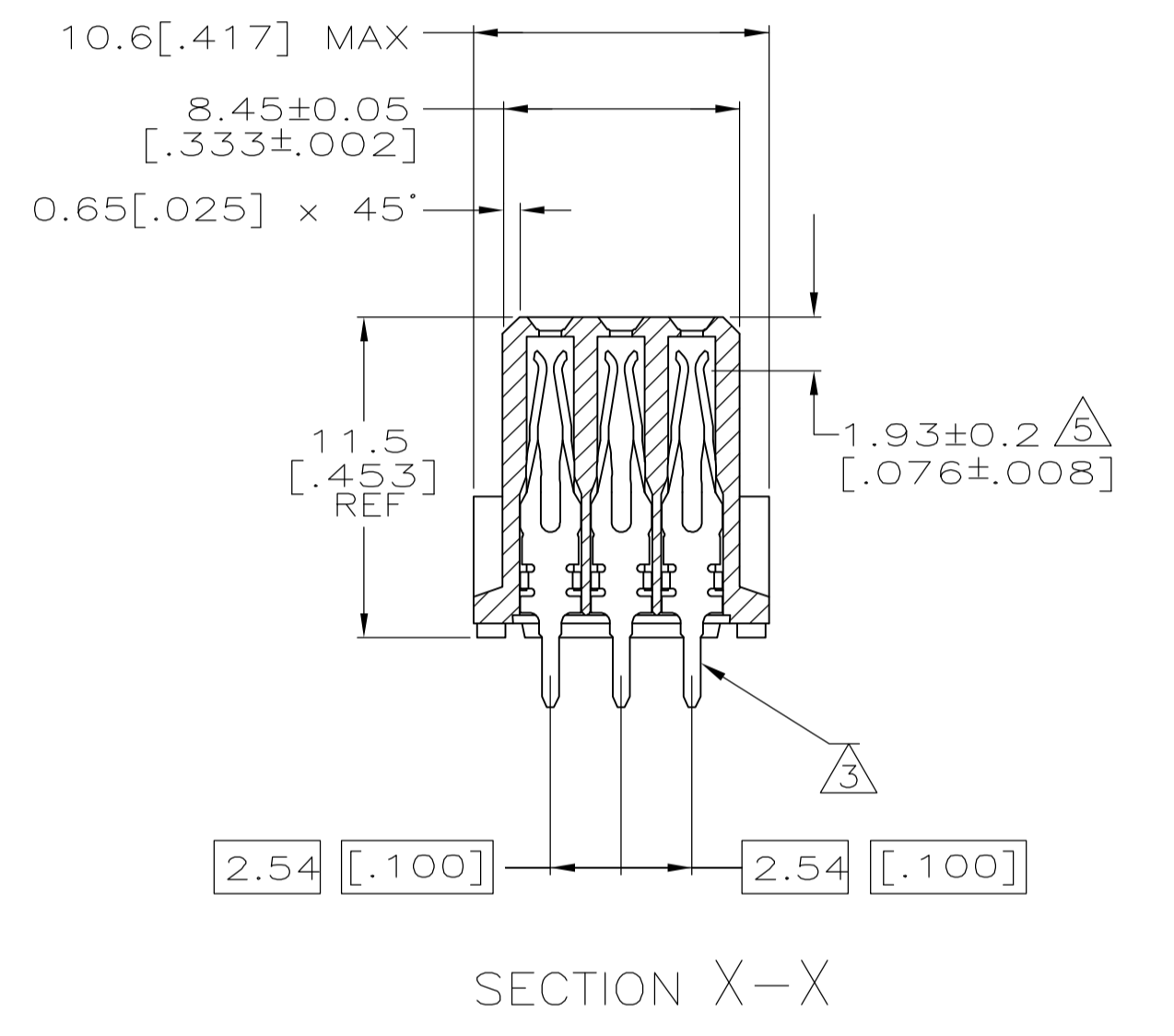
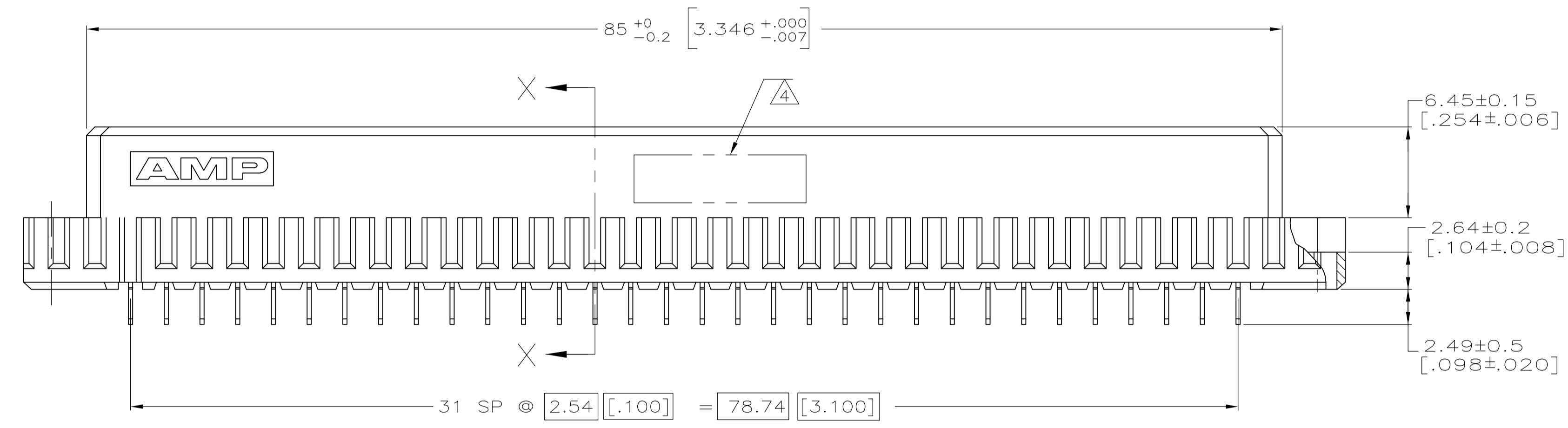
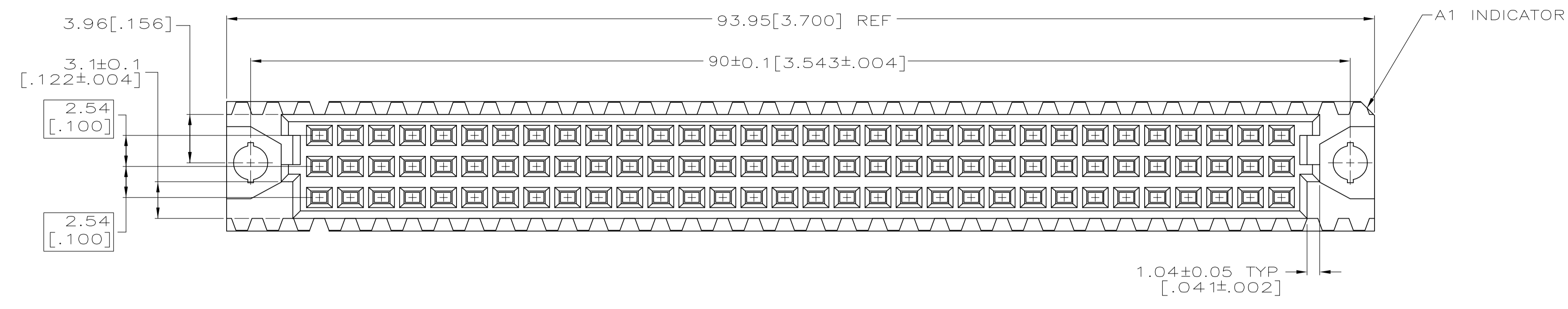


LOC		DIST		REVISONS			
AD	25	REV	DATE	DESCRIPTION	DATE	BY	APP'D
		0	27MAY05	RELEASED PER EC 0512-0082-05		JDP	AMS

- ① HOUSING MATERIAL: GLASS-FILLED POLYMER.
- ② CONTACT MATERIAL: COPPER ALLOY.
- ③ CONTACT FINISH: DIN 41612 CLASS 2 IN CONTACT AREA. TIN PLATE ON POSTS.
- ④ PART NUMBER, DATE CODE IDENTIFICATION, CSA LOGO IN THIS APPROXIMATE AREA, ON REVERSE SIDE.
- ⑤ CONTACT POINT.
- ⑥ RECOMMENDED HOLE SIZE FOR MANUAL APPLICATION OF CONNECTOR ONTO PC BOARD.



NOTE	1 THRU 32	X	X	X	96	535089-5
	POSITIONS LOADED	C	B	A	NO. OF LOADED POSITIONS	ASSY PART NUMBER
		ROWS LOADED				

THIS DRAWING IS A CONTROLLED DOCUMENT.		TOLERANCES UNLESS OTHERWISE SPECIFIED:		Tyco Electronics Corporation	
DIMENSIONS: mm [INCHES]	0 PLC ± -	1 PLC ± -	2 PLC ± -	3 PLC ± 0.13 [.005]	4 PLC ± -
	ANGLES ± -				
MATERIAL	FINISH	WEIGHT	SIZE	CAGE CODE	DRAWING NO
			A1	00779	5535089
			CUSTOMER DRAWING	SCALE	4:1
			SHEET	1	OF 1
			REV		0