

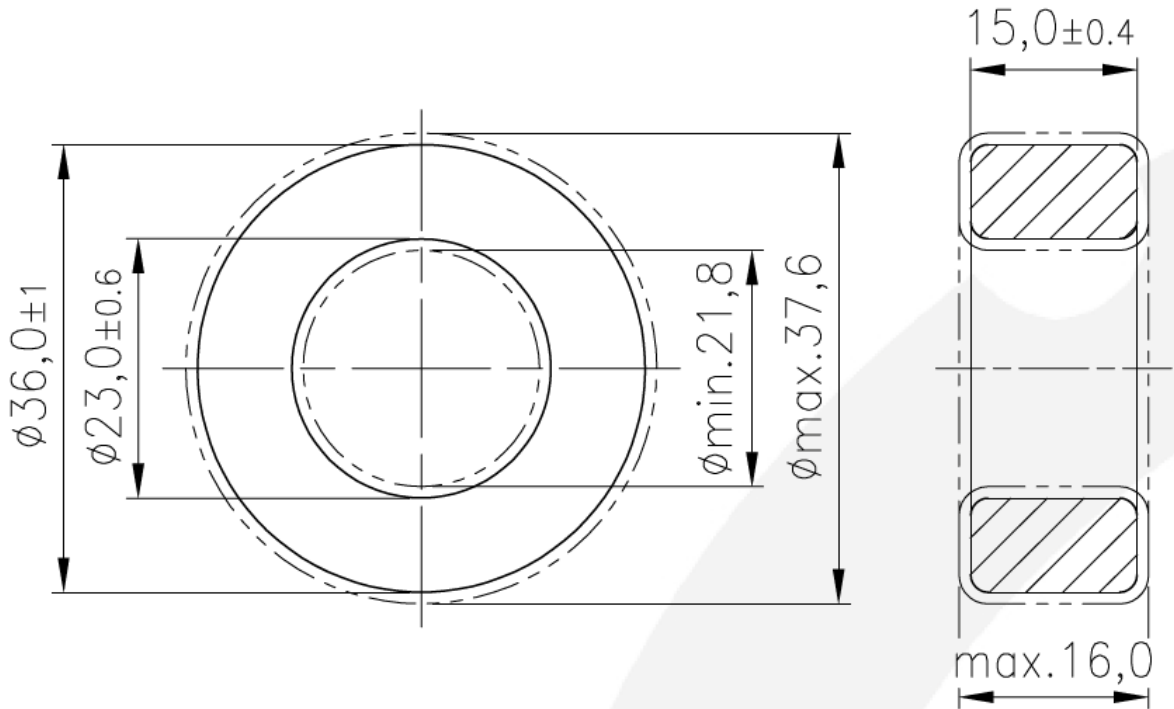


Datasheet

ENGLISH

RS Pro Ferrite Ring (16.2mm Max Cable Diameter)

Stock No: 136-9032



638

core factors	
core factor	$C_1 = 0,94 \text{ mm}^{-1}$
eff. magn. path length	$l_e = 89,7 \text{ mm}$
eff. magn. cross section	$A_e = 95,7 \text{ mm}^2$
eff. magn. volume	$V_e = 8580 \text{ mm}^3$
weight	$G \approx 41,0 \text{ g}$

material	A_L value		coated	order number*
K 4000	5350 nH		$\pm 25 \%$	317 362315 004