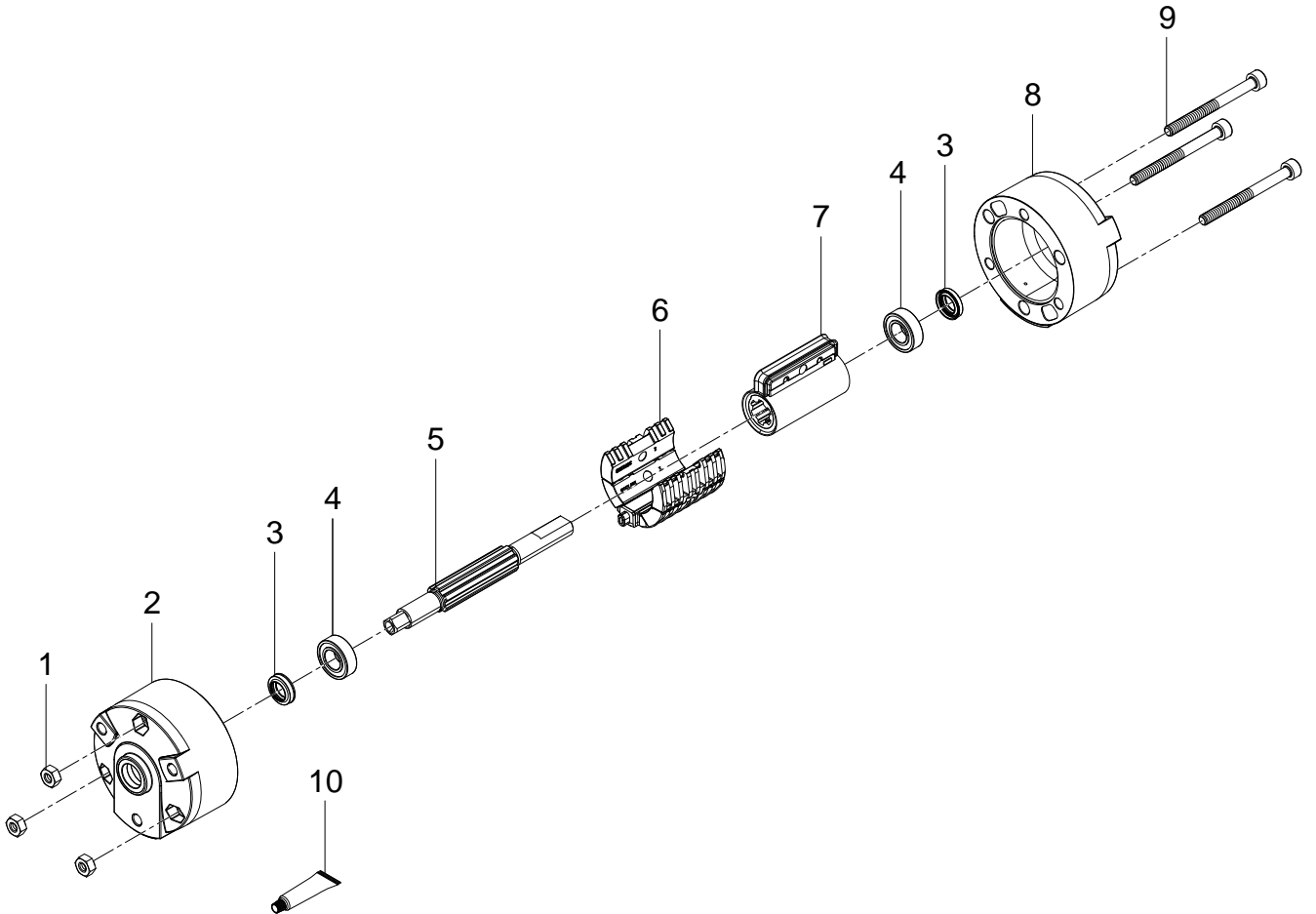


1845713 DRVS-16-90-P Semi-rotary drive - Series: All



## 1845713 DRVS-16-90-P Semi-rotary drive - Series: All

Pos.	Part no.	Type	Note	Qty.	Unit
A	8173164	DRVS-16 Set of wearing parts	Spare parts: 6, 7, 10 <a href="#">▶ Replacing the wearing parts</a>	1	PC
1		ISO 4032-M4-8 Hex nut	Not available	3	PC
2		DRVS-16:1 Housing	Not available Grease using during assembly. See position 10	1	PC
3	369059	WIFC1-8X11,5X3,2-TPE-U Wiper seal	Grease using during assembly. See position 10	2	PC
4	257138	D616-688-2RS Deep groove ball bearing		2	PC
5		DRVS-16 Shaft	Not available Grease using during assembly. See position 10	1	PC
6		DRVS-16-90 Stop module	Not available separately, see position A	1	PC
7		DRVS-16 Vane module	Not available separately, see position A	1	PC
8		DRVS-16:2 Housing	Not available Grease using during assembly. See position 10	1	PC
9		ISO 4762-M4X45-8.8 Socket head screw	Not available	3	PC
10	684474	LUB-KC1 SILIKONFREI 20ML Lubricating grease		1	PC