



7 Series EEx d Standard Fluorescent Luminaires

Features

- ¥ Lightweight, slimline and compact construction
- ¥ Polycarbonate, glass or lacquered polycarbonate overtube to suit most hazardous areas
- ¥ Through wiring option saves time on large installations
- ¥ Tested to meet ATEX requirements (compulsory standard from 2003)
- ¥ Modern attributes eg compact fluorescents & self test systems
- ¥ Vibration resistant base mounted lamp versions available for shipboard use

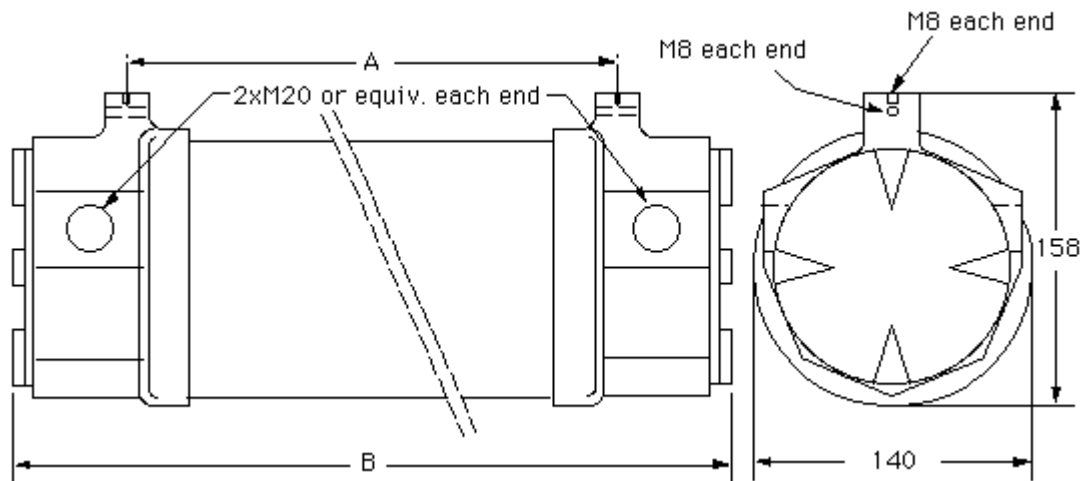
Certification & Approval

Certification Code: EEx d IIB & IIC T4-T5-T6

Certification
Standard: EN50014-018

Certificate Number: SIRA Ex 97D1098 (ATEX pending)

Degree of
Protection: IP 66 to IEC 529



Size	Model	A	B	All dimensions in mm
1	8w	335	448	
2	18w	632	752	
4	36w	1242	1362	
5	58w	1542	1662	
6	70w	1806	1926	

Technical Data

Model range	<p>Standard luminaire - single & twin 8w, 18w, 36w, 58w, 70w.</p> <p>Compact Fluorescents - details on application.</p> <p>(2 x 55w PL max).</p>
Supply voltage	<p>Switch start 240v, 50Hz as standard.</p> <p>Electronic ballast 220-250v, 50/60Hz or rapid/vivatronic start.</p> <p>Other voltages & frequencies on request including 110v, 50 or 60Hz options & DC central battery applications.</p>
Certification data	<p>All options certified for -25°C.</p> <p>8w T5 @ Ta=40°C T4 @ Ta=52°C EEx d IIC glass or polycarbonate.</p> <p>18w T6 @ Ta=40°C T5 @ Ta=55°C EEx d IIC glass or polycarbonate.</p> <p>36w T6 @ Ta=40°C T5 @ Ta=55°C EEx d IIB glass or polycarbonate.</p> <p>58w T6 @ Ta=40°C T5 @ Ta=55°C EEx d IIB glass or polycarbonate.</p> <p>70w T5 @ Ta=40°C T4 @ Ta=55°C EEx d IIB polycarbonate only.</p>
Lamp source options	<p>13mm T5 (8w), 26mm T8 (all others) or PL as option. Removable lamp assembly. Lamps included only in 8w luminaires.</p>
Mounting facilities	<p>2 x M8 tapped holes - vertical and horizontal - at each end.</p>
Cable entries	<p>2 x M 20 - ISO (1 plugged) each end. Other thread forms on request.</p>

Terminals	3 wire and earth. Cable size 4 mm ² max with looping. Through wiring option available on 18w, 36w, 58w and 70w.				
Finish	2 pack aqua epoxy paint on pre-treated and primed surface.				
Material	Corrosion resistant anodised light alloy body and covers with polycarbonate or glass overtube. 70w polycarbonate only.				
Protective guards	An overhead canopy and/or wire guard are available on request.				
Weight		Single		Twin	
		Polycarbonate	Glass	Polycarbonate	Glass
	8w	4.0kg	5.3kg	4.5kg	5.8kg
	18w	6.0kg	8.6kg	6.5kg	9.1kg
	36w	7.5kg	12.7kg	8.0kg	13.2kg
	58w	9.5kg	16.0kg	10.0kg	16.5kg
	70w	10.5kg	N/A	11.0kg	N/A
Mounting accessories	Various mounting accessories available.				
Other options	Special vibration resistant base mounted lamp version for use on board ships etc; photocell device; in-line fuse protection.				

How To Order

Product codes for standard luminaires are formed as follows:

Series Ref.	No. of tubes	Power (watts)	Size (Fitting length in feet)	Voltage	Frequency
7	1 or 2	e.g. 36	e.g. 4	e.g. 240	e.g. 50

Special features are specified using the following codes:

/TW	Through wiring (except 8w)
/GL	Glass body for solvent/paint areas
/LP	Lacquered polycarbonate body for solvent/paint areas
/HF	High frequency ballast
/R	Rapid start
/Pg	Pg 13.5 cable entries
/WG	Wire Guard
/SC	Sun canopy
/CF	Compact fluorescent
/PC	Pole clamp
/PM	Pendant mounting
/B	Vibration resistant base mounted lamps (Twins only)

These are added to the product codes as required:

e.g. 7236 / S4 / 240 / 50 / PM

Please contact PFP for any technical advice you may require including photometric details.

A technical design service is available for all our customers.

Tel: +44 (0) 121 783 7161 Fax: + 44 (0) 121 783 5717 Email: sales@pfp-elec.co.uk