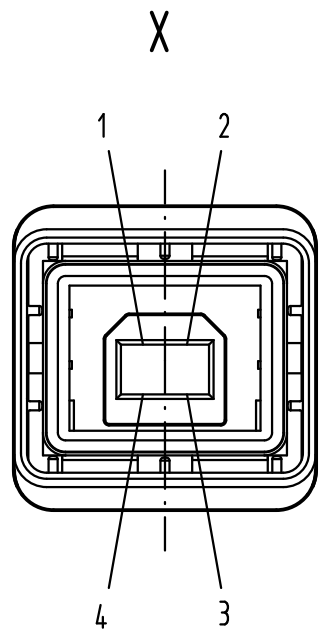
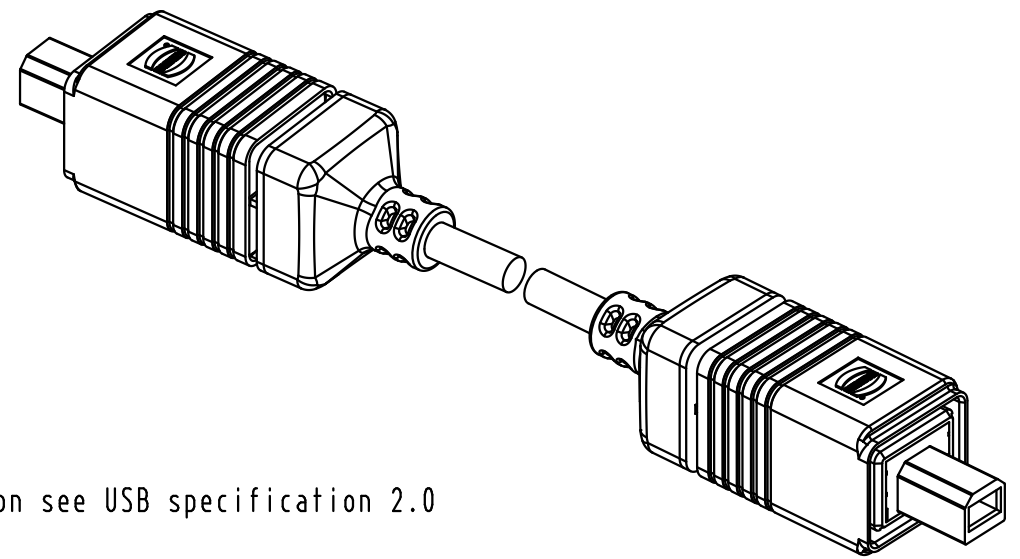
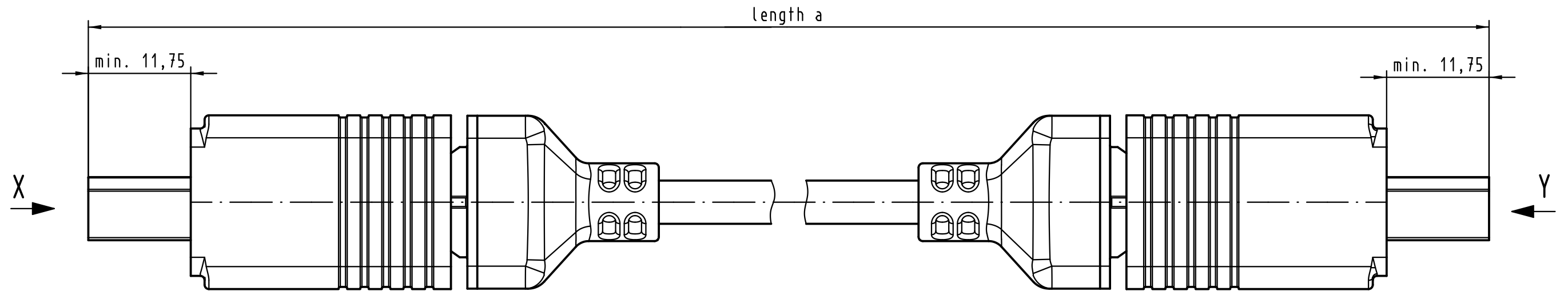
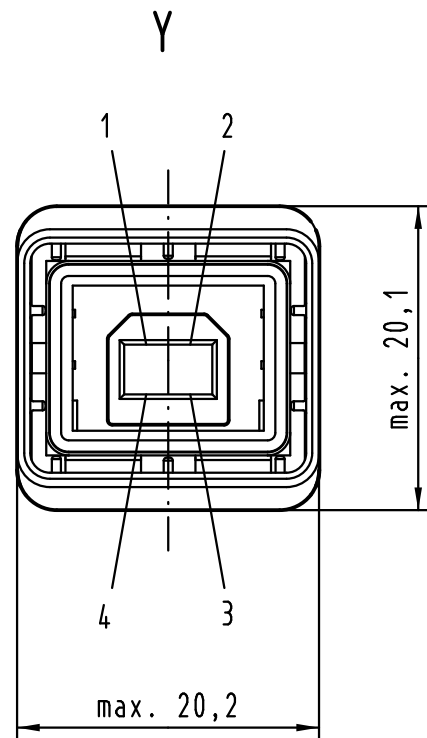


Alle Rechte vorbehalten/ All rights reserved



loading-plan

- V Bus 1 ——— 1
- D- 2 ——— 2
- D+ 3 ——— 3
- GND 4 ——— 4



further information see USB specification 2.0  
www.usb.org

no.	part-no.	description	length a [meter]
6	09 45 145 3905	USB 2.0, Type B, PushPull double ended	5,0 m
5	09 45 145 3904	USB 2.0, Type B, PushPull double ended	3,0 m
4	09 45 145 3903	USB 2.0, Type B, PushPull double ended	2,0 m
3	09 45 145 3902	USB 2.0, Type B, PushPull double ended	1,5 m
2	09 45 145 3901	USB 2.0, Type B, PushPull double ended	1,0 m
1	09 45 145 3900	USB 2.0, Type B, PushPull double ended	0,5 m

	All Dimensions in mm Original Size DIN A 3			Techn. Character.		Nicht tolerierte Maßel/Free size tolerances	
						<b>2:1</b>	<b>HARTING PushPull V4 USB 2.0 Type B PushPull double ended</b>
		Detail.	14.02.12	hsv			
		Insp.	14.02.12	Lue.			
	Stand.						
36366	HARTING Electronics GmbH & Co. KG					<b>TB 09 45 145 390x</b>	
Mod.	Dat.	Name	D-32339 ESPELKAMP		Sub.		