

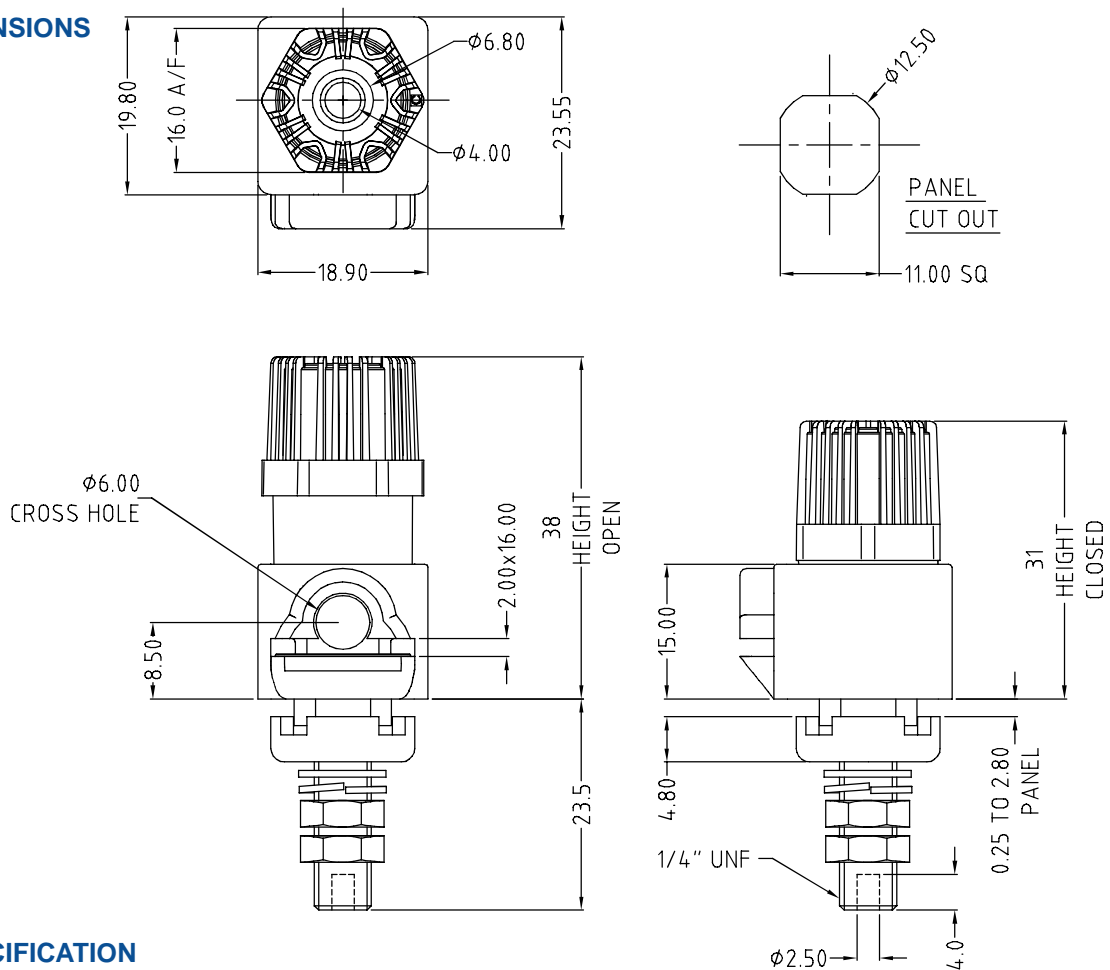


60A. TERMINAL TP60V



RS159830BA - TP60VSG BLACK
RS159830RA - TP60VSG RED
Supplied assembled.

DIMENSIONS



SPECIFICATION

Maximum current: 60A.

Contact resistance: Nickel <30m Ω

Gold <20m Ω

Temperature rating: -20°C to +80°C

