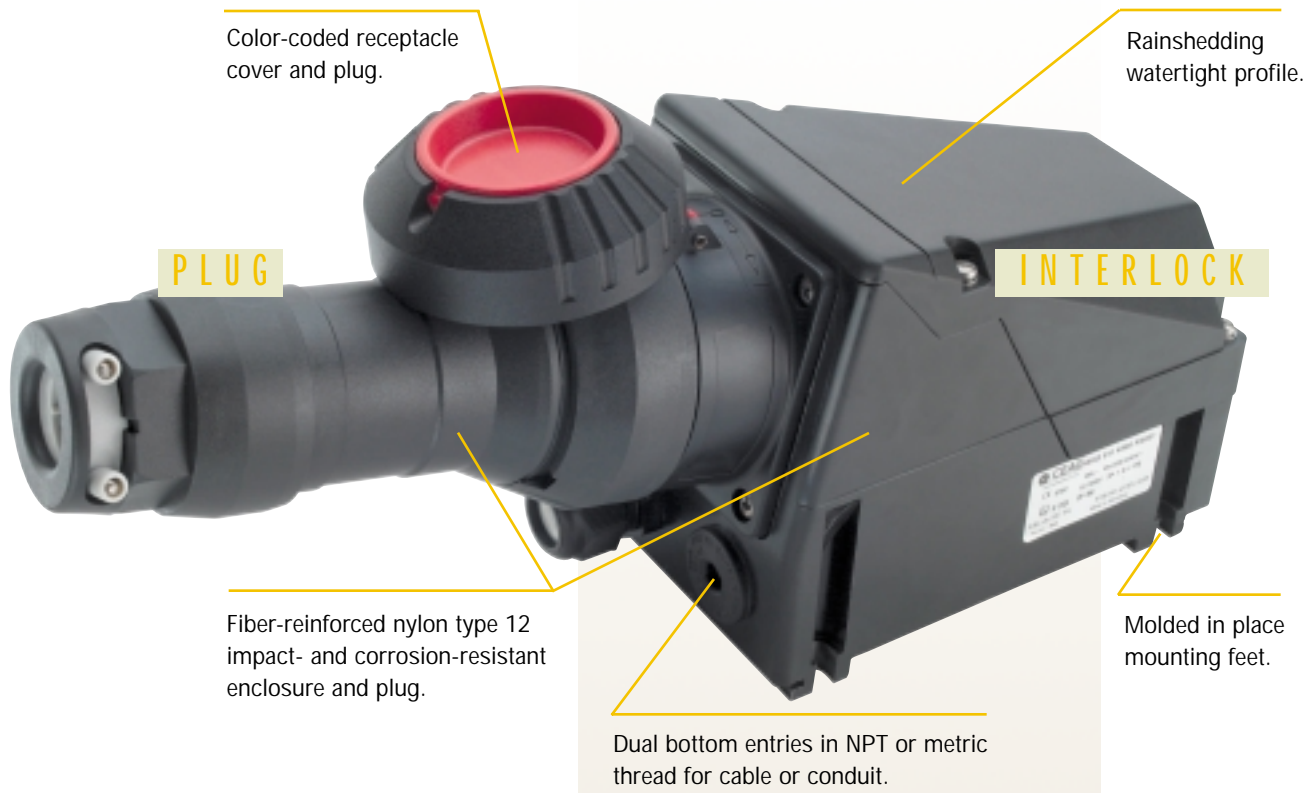
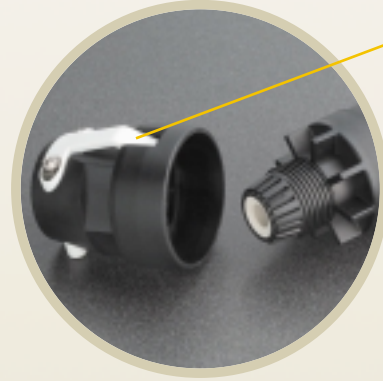


# Hazardous Area Interlocks & Plugs "GHG" Series Class I, Zone 1 & 2, Div. 2, NEMA 4X, IP66

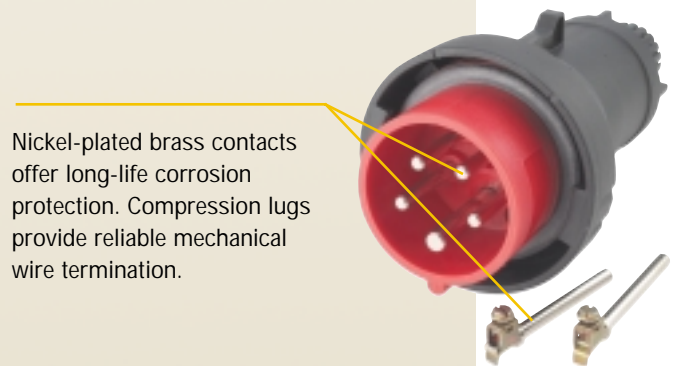


## HEAVY DUTY STRAIN RELIEF

Offering superior pullout protection and significantly reducing the occurrence of seal failure, our external strain relief system absorbs all tensile and torsional forces. In addition, an extremely long and dependable inside seal provides added protection.



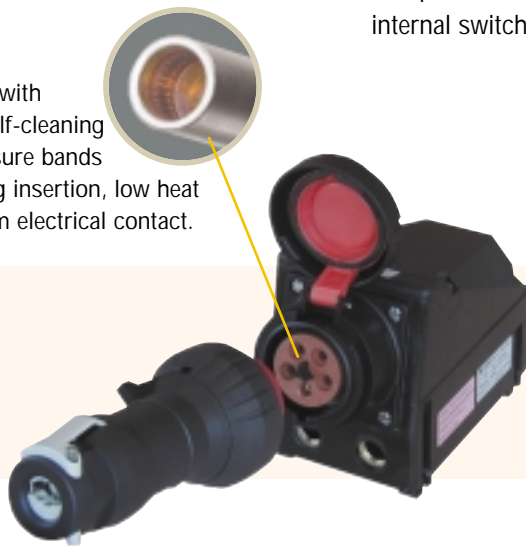
Locking finger seats into web pockets securing back cap in place even under heavy usage and vibration.



Nickel-plated brass contacts offer long-life corrosion protection. Compression lugs provide reliable mechanical wire termination.

# IEC 309 Hazardous Area Plugs & Interlocks Class I, Zone 1 & 2, Div. 2, NEMA 4X, IP66

Brass contacts with field-proven, self-cleaning multi-lam pressure bands for smooth plug insertion, low heat rise and uniform electrical contact.



Easy to wire. Cover removes along an innovative break line that permits full access to internal switch terminations.



Factory sealed switch provides Zone 1 & 2, Div. 2 explosion protection. Receptacle is dead-front until plug is fully engaged and rotated to activate switch. Plug cannot be removed under load. Switch is horsepower, and AIC-rated.

## APPLICATIONS

IEC 309 explosion protected devices are used:

- to supply power to portable or fixed electrical equipment
- where hazardous gases may be present
- in damp or wet locations
- where impact and corrosion resistance are required
- where compact equipment is required in tight spaces

## FEATURES

- mechanically interlocked plug and receptacle—plug cannot be engaged or disengaged under load
- simple “insert plug and twist” design to activate internal switch
- self cleaning multi-lam contacts provide reliable power connection
- compact size, easy to handle and install
- OSHA lockout/tagout
- dual bottom entry Zone 1 Myers® hubs
- full wiring access, saves time and money
- VØ rated materials


## OPTIONS

- auxiliary contacts for PLC or pilot light applications—add suffix [S483]

## STANDARD MATERIALS

- enclosure: type 12 nylon
- plug body: fiber-reinforced nylon
- hardware: stainless steel
- contacts: brass

## CERTIFICATIONS

- AEx de IIc T6
- Class I, Zone I, Div. 2, Groups A, B, C & D
- EEx ed IIC T6
-  II 2G/D
- UL, cUL
- PTB 99 ATEX 1039
- IP66, NEMA 4X
- CE
- VDE

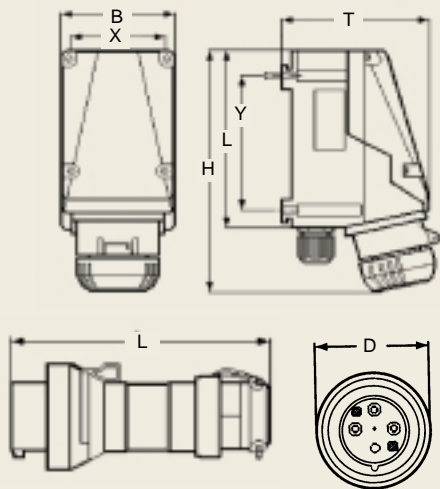
# Pin & Sleeve

Amps	Cable Gland	Myers Hub	Wires and Poles	CONFIGURATION		Voltage	 	
				Recept./Conn.	Plug/Inlet		INTERLOCK RECEPTACLE	PLUG
16A	M25		2W3P			110-120	GHG 511 4304 R3001	GHG 511 7304 R0001
	M25		2W3P			220-240	GHG 511 4306 R3001	GHG 511 7306 R0001
	M25		3W4P			220-240	GHG 511 4409 R3001	GHG 511 7409 R0001
	M25		3W4P			380-415	GHG 511 4406 R3001	GHG 511 7406 R0001
	M25		3W4P			500	GHG 511 4407 R3001	GHG 511 7407 R0001
	M25		3W4P			690	GHG 511 4405 R3001	GHG 511 7405 R0001
	M25		4W5P			380-415	GHG 511 4506 R3001	GHG 511 7506 R0001
20A		3/4	2W3P			125	GHG 511 4304 L3001	GHG 511 7304 L0001
		3/4	2W3P			250	GHG 511 4306 L3001	GHG 511 7306 L0001
		3/4	3W4P			3Ø250	GHG 511 4409 L3001	GHG 511 7409 L0001
		3/4	3W4P			3Ø480	GHG 511 4407 L3001	GHG 511 7407 L0001
		3/4	3W4P			3Ø600	GHG 511 4405 L3001	GHG 511 7405 L0001
30A		1	2W3P			125	GHG 512 4304 L3001	GHG 512 7304 L0001
		1	2W3P			250	GHG 512 4306 L3001	GHG 512 7306 L0001
		1	3W4P			3Ø250	GHG 512 4409 L3001	GHG 512 7409 L0001
		1	3W4P			3Ø480	GHG 512 4407 L3001	GHG 512 7407 L0001
		1	3W4P			3Ø600	GHG 512 4405 L3001	GHG 512 7405 L0001
32A	M32		3W4P			220-240	GHG 512 4409 R3001	GHG 512 7409 R0001
	M32		3W4P			380-415	GHG 512 4406 R3001	GHG 512 7406 R0001
	M32		3W4P			500	GHG 512 4407 R3001	GHG 512 7407 R0001
	M32		3W4P			690	GHG 512 4405 R3001	GHG 512 7405 R0001
	M32		4W5P			380-415	GHG 512 4506 R3001	GHG 512 7506 R0001
60A		1 1/4	2W3P			125	GHG 514 1309 L3001	GHG 514 7309 L0001
		1 1/4	2W3P			250	GHG 514 1306 L3001	GHG 514 7306 L0001
		1 1/4	3W4P			3Ø250	GHG 514 1409 L3001	GHG 514 7409 L0001
		1 1/4	3W4P			3Ø480	GHG 514 1407 L3001	GHG 514 7407 L0001
		1 1/4	3W4P			3Ø600	GHG 514 1405 L3001	GHG 514 7405 L0001

Amps	Cable Gland	Myers Hub	Wires and Poles	CONFIGURATION		Voltage	INTERLOCK RECEPTACLE		PLUG	
				Recept./Conn.	Plug/Inlet					
63A	M40		3W4P			220-240	GHG 514 1409 R3001	GHG 514 7409 R0001		
	M40		3W4P			380-415	GHG 514 1406 R3001	GHG 514 7406 R0001		
	M40		3W4P			500	GHG 514 1407 R3001	GHG 514 7407 R0001		
	M40		3W4P			690	GHG 514 1405 R3001	GHG 514 7405 R0001		
	M40		4W5P			380-415	GHG 514 1506 R3001	GHG 514 7506 R0001		
100A+	1 1/2		3W4P			125/250	GHG 536 4412 L3001	GHG 535 2412 L0001		
			3W4P			3Ø250	GHG 536 4409 L3001	GHG 535 2409 L0001		
			3W4P			3Ø480	GHG 536 4407 L3001	GHG 535 2407 L0001		
	1 1/2		3W4P			3Ø600	GHG 536 4405 L3001	GHG 535 2405 L0001		
			3W4P							
125A+	M63		4W5P			220-240	GHG 536 4509 R3001	GHG 535 2509 R0001		
	M63		4W5P			380-415	GHG 536 4506 R3001	GHG 535 2506 R0001		
	M63		4W5P				GHG 536 4507 R3001	GHG 535 2507 R0001		
	M63		4W5P			690	GHG 536 4505 R3001	GHG 535 2505 R0001		

+ Available 2nd Quarter 2001.

## DIMENSIONAL DATA (inches)



	20/16A		30/32A	60/63A	100/125A	
	3P	4/5P	4/5P	4/5P		
B	3.5	4.3	4.7	7.9	8.9	
X	3.15	3.94	4.33	7.09	8.10	
T	4.8	5.8	6.6	8.9	10.0	
Y	4.53	5.31	6.70	10.87	11.90	
L	6.1	6.9	8.1	14.6	13.3	
H	8.8	9.3	11.5	18.7	21.1	
	20/16A	30/32A	60/63A	100/125A		
	3P	4P	5P	4/5P		
L	6.7	7.4	7.4	9.8	10.7	12.32
D	2.8	3.0	3.3	3.9	4.3	5.16
CORD DIA. RANGE (in.)	.315-.827		.315-1.102	.630-1.378	.827-2.28	