

LOC	DIST	REVISIONS			
P	LTR	DESCRIPTION	DATE	DWN	APVD
	4	UPDATED	07JUN2011	AB	GT
	5	UPDATED	28JUL2011	AB	GT
	A	RELEASED ACC. TO ECR-11-021683	25OCT2011	AB	GT

NOTE:

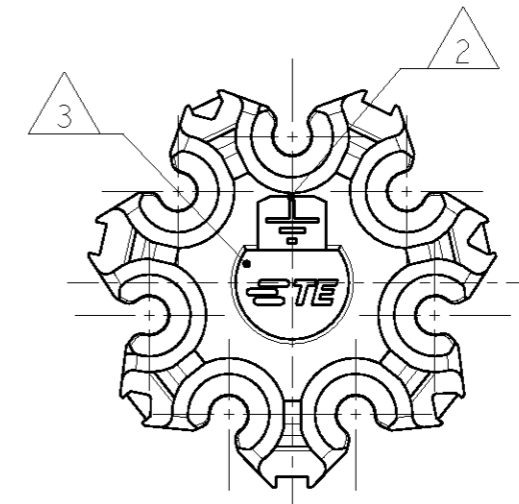
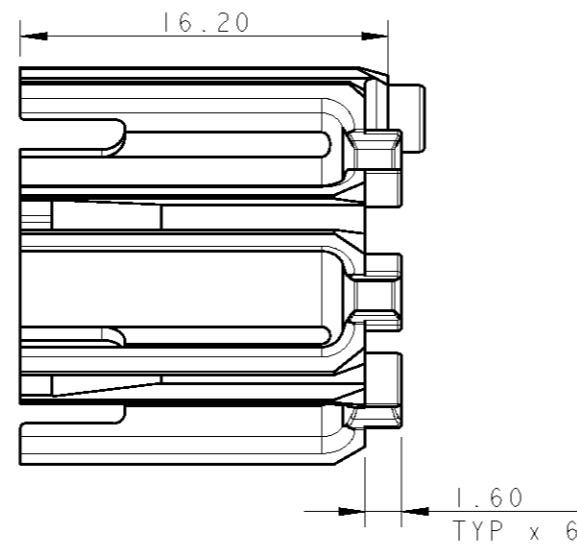
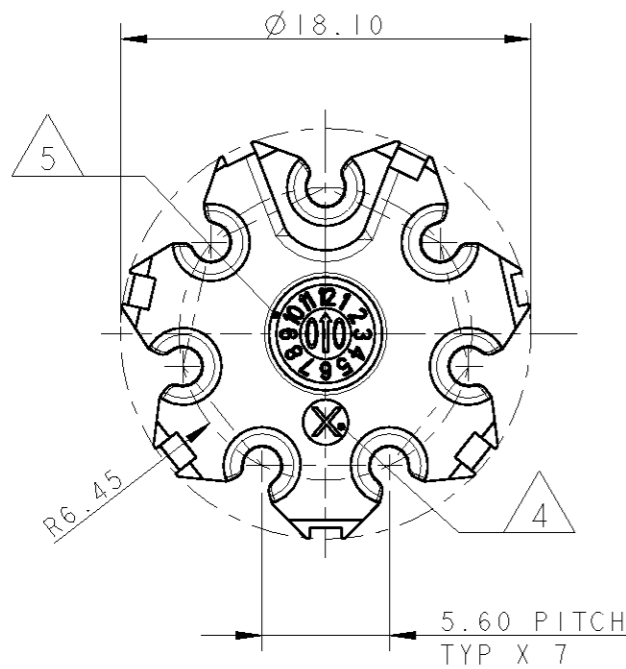
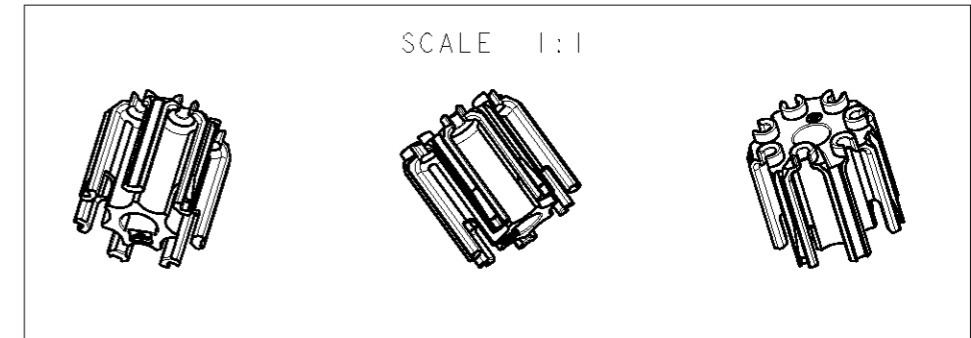
1) MATERIAL: PA GF (NATURAL COLOUR)

2 "PE" CODE

3 AREA FOR TE LOGO

4 MOULD IMPRESSION ID

5 DATE MONTH&YEAR



NOTE	COLOUR	DESCRIPTION	REV.	P/N
	NATURAL	LOCKING FOR CONTACTS 5,6,7 POLES NECTOR* M-LINE	A	0-293658-1

THIS DRAWING IS A CONTROLLED DOCUMENT.		DWN A. BERNARDI 25JAN2011	TE Connectivity NAME LOCKING FOR CONTACTS 5,6,7 POLES NECTOR M-LINE	
DIMENSIONS: mm		CHK M. ZUCCA 25JAN2011		
TOLERANCES UNLESS OTHERWISE SPECIFIED:		APVD G. TURCO 25JAN2011	PRODUCT SPEC 108-20324	
0 PLC ±- 1 PLC ±0.3 2 PLC ±0.20 3 PLC ±- 4 PLC ±- ANGLES ±3°		APPLICATION SPEC 114-20169	RESTRICTED TO	
MATERIAL NOTE 1		FINISH -	WEIGHT -	SIZE A300779
				DRAWING NO C=293658
				SCALE 3:1 SHEET 1 OF 1 REV A
				CUSTOMER DRAWING