

Network cable - NBC-R4QC/2,0-94B/R4QC



1408966

<https://www.phoenixcontact.com/gb/products/1408966>

Please be informed that the data shown in this PDF document is generated from our Online Catalog. Please find the complete data in the user documentation. Our General Terms of Use for Downloads are valid.



Assembled Ethernet cable, shielded, 4-pair, 26 AWG stranded (7-wire), RAL 5021 (water blue), RJ45 plug/IP67 push/pull plastic housing to RJ45 plug/IP67 push/pull plastic housing, line, length: 2 m

Commercial Data

Item number	1408966
Packing unit	1 pc
Minimum order quantity	1 pc
Note	Made to Order (non-returnable)
Sales Key	ABNEAJ
Product Key	ABNEAJ
Catalog Page	Page 401 (C-2-2019)
GTIN	4046356856942
Weight per Piece (including packing)	155.9 g
Weight per Piece (excluding packing)	103.98 g
Customs tariff number	85444210
Country of origin	PL

Network cable - NBC-R4QC/2,0-94B/R4QC



1408966

<https://www.phoenixcontact.com/gb/products/1408966>

Technical Data

Product properties

Product type	Data cable preassembled
Number of positions	8
No. of cable outlets	1
Number of slots	1
Shielded	yes
Cable outlet	straight

Insulation characteristics

Degree of pollution	2
---------------------	---

LED signaling

Status display	No
Status display present	No

Electrical properties

Rated voltage (III/3)	72 V (DC)
Nominal voltage U_N	48 V
Nominal current I_N	1 A
Transmission medium	Copper

Material specifications

Flammability rating according to UL 94	V2
--	----

Connector

Insertion/withdrawal cycles	≥ 200
-----------------------------	------------

Connection 1

Handle color	black
Material	CuSn (Contact)
	Ni/Au (Contact surface)
	PC (Contact carriers)
	PA GF (Housing)
Insertion/withdrawal cycles	≥ 750
Degree of protection	IP67
Ambient temperature (operation)	-40 °C ... 70 °C

Connection 2

Handle color	black
Material	CuSn (Contact)
	Ni/Au (Contact surface)
	PC (Contact carriers)
	PA GF (Housing)

Network cable - NBC-R4QC/2,0-94B/R4QC



1408966

<https://www.phoenixcontact.com/gb/products/1408966>

Insertion/withdrawal cycles	≥ 750
Ambient temperature (operation)	-40 °C ... 70 °C

Cable / line

Cable length	2.00 m
Cable weight	44.00 kg/km
Cable type	Ethernet
Cable structure	4x2xAWG26/7; S/FTP
External cable diameter	6.40 mm
Outer sheath, material	PUR
External sheath, color	water blue RAL 5021
Conductor material	Bare Cu litz wires
Conductor structure signal line	7x 0.16 mm
AWG signal line	26
Wire diameter incl. insulation	1 mm
Single wire, color	White-blue, white-orange, white-green, white-brown
Wave impedance	100 Ω ±5 % (at 100 MHz)
Smallest bending radius, fixed installation	min. 32 mm
Smallest bending radius, movable installation	min. 32 mm (Cable, flexible installation)
Smallest bending radius, fixed installation	min. 32 mm
Smallest bending radius, movable installation	min. 32 mm (Cable, flexible installation)

Ambient conditions

Degree of protection	IP67 (RJ45 connector)
Degree of protection	IP65/IP67
Ambient temperature (operation)	-40 °C ... 70 °C (RJ45 connector)

Standards and regulations

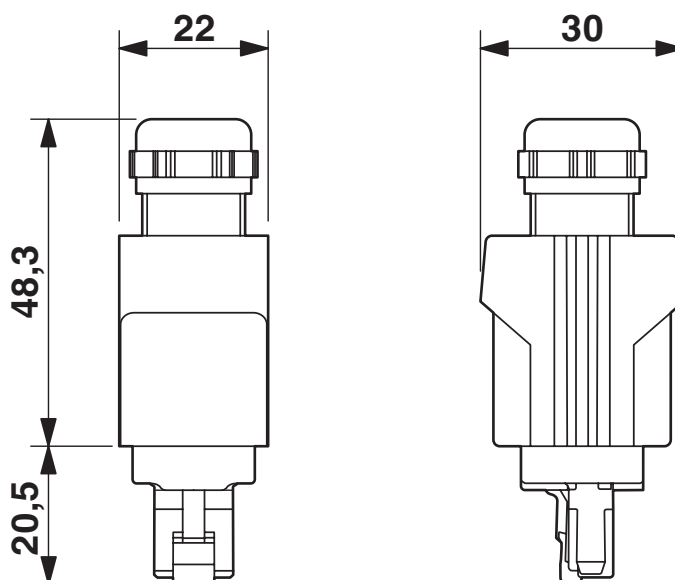
Standards/specifications	IEC PAS 61076-3-117
--------------------------	---------------------

1408966

<https://www.phoenixcontact.com/gb/products/1408966>

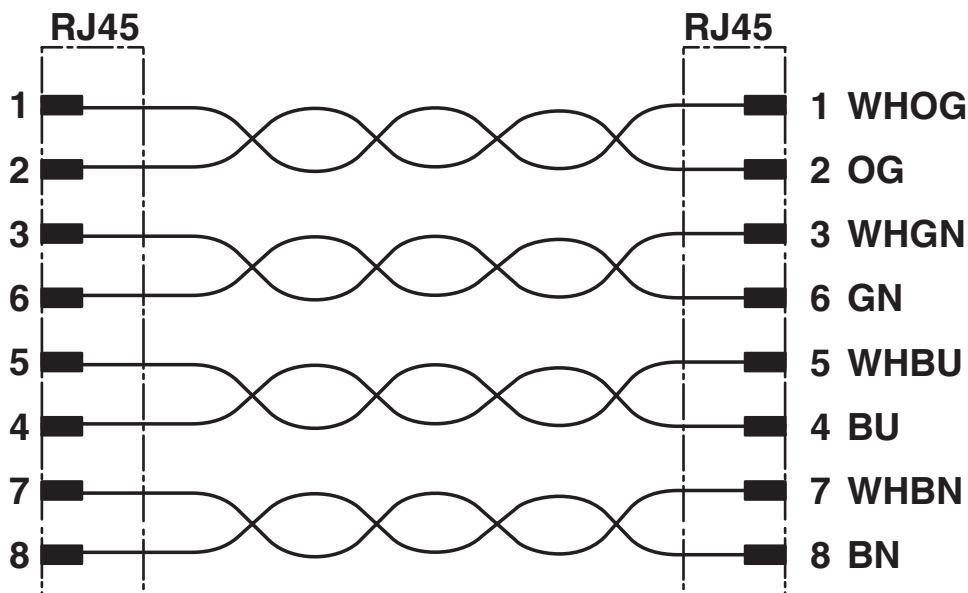
Drawings

Dimensional drawing



RJ45 Push-Pull connector, IP67

Circuit diagram



Contact assignment of RJ45 plugs

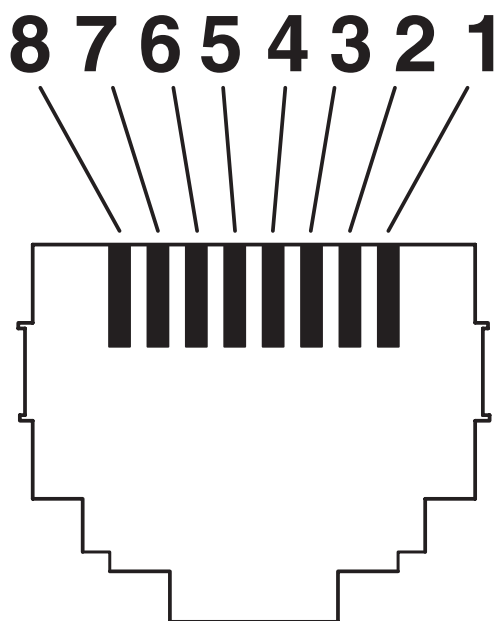
Network cable - NBC-R4QC/2,0-94B/R4QC

1408966

<https://www.phoenixcontact.com/gb/products/1408966>



Schematic diagram



Connector pin assignment plug RJ45

Network cable - NBC-R4QC/2,0-94B/R4QC



1408966

<https://www.phoenixcontact.com/gb/products/1408966>

Approvals



EAC

Approval ID: 19060508



EAC

Approval ID: B.00385/20

Network cable - NBC-R4QC/2,0-94B/R4QC



1408966

<https://www.phoenixcontact.com/gb/products/1408966>

Classifications

ECLASS

ECLASS-9.0	27060308
ECLASS-10.0.1	27060308
ECLASS-11.0	27060308

ETIM

ETIM 8.0	EC002599
----------	----------

UNSPSC

UNSPSC 21.0	26121600
-------------	----------

Network cable - NBC-R4QC/2,0-94B/R4QC



1408966

<https://www.phoenixcontact.com/gb/products/1408966>

Environmental Product Compliance

China RoHS	Environmentally friendly use period: unlimited = EFUP-e
	No hazardous substances above threshold values

Phoenix Contact 2022 © - all rights reserved
<https://www.phoenixcontact.com>

PHOENIX CONTACT Ltd
Halesfield 13, Telford
Shropshire, TF7 4PG
01952 681700
info@phoenixcontact.co.uk