



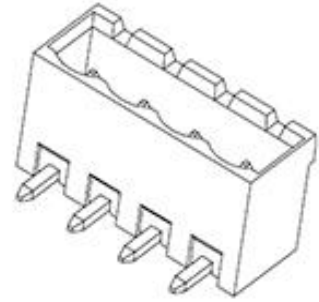
Part Number : [395321014](#)

Product Description : 5.08mm Pitch Eurostyle Right-Angle PCB Header, 14 Circuits

Series Number : 39532

Status : Active

Product Category : Terminal Blocks and Barrier Strip



Documents & Resources

Drawings

[395321014 sd.pdf](#)

3D Models and Design Files

[STEP AP242](#)

[SOLIDWORKS](#)

[Creo](#)


[Symbol and Footprint \(Multi-Format\)](#)

Specifications

[PS-39500-001-001.pdf](#)

Product Environment Compliance

Compliance

GADSL/IMDS	Not Relevant
China RoHS	 per SJ/T 11365-2006
EU ELV	Not Relevant
Low-Halogen Status	Low-Halogen per IEC 61249-2-21
REACH SVHC	Not Contained per D(2025)4165-DC (25 June 2025)
EU RoHS	Compliant per EU 2015/863

[Compliance Statements](#)

- EU RoHS
- REACH SVHC

- Low-Halogen

Industry Documents

- IPC 1752A Class C
- IPC 1752A Class D
- Molex Product Compliance Declaration
- IEC-62474
- chemSHERPA (xml)

Substances of Interest

- PFAS

EU RoHS Certificate of Compliance

Additional Product Compliance Information

Part Details

General

Status	Active
Category	Terminal Blocks and Barrier Strip
Series	39532
Description	5.08mm Pitch Eurostyle Right-Angle PCB Header, 14 Circuits
Application	Wire-to-Board
Component Type	PCB Header
Product Name	Eurostyle Pluggable
Type	PCB Terminal Blocks and Connectors
UPC	822350506755

Agency

UL	E48521
----	--------

Electrical

Current - Maximum per Contact	15.0A
Voltage - Maximum	300V

Physical

Circuits (Loaded)	14
Circuits (maximum)	14

Color - Resin	Black
Entry Angle	N/A
Lock to Mating Part	Yes
Number of Rows	1
Orientation	Horizontal
Panel Mount	No
PCB Thickness - Recommended	3.18mm
PC Tail Length	5.08mm
Pitch - Mating Interface	5.08mm
Pitch - Termination Interface	5.08mm
Polarized to Mating Part	Yes
Shrouded	Closed Ends
Stackable	No
Temperature Range - Operating	-40° to +105°C
Wire Size (AWG)	N/A

Solder Process Data

Lead-Free Process Capability	N/A
------------------------------	-----

Mates With / Use With

Mates with Part(s)

Description	Part Number
5.08mm Pitch Eurostyle Horizontal Plugs	<u>39530</u>
5.08mm Pitch Eurostyle Vertical Plugs	<u>39533</u>
Mates With	Most 5.08mm Pitch Industry Standard Plugs