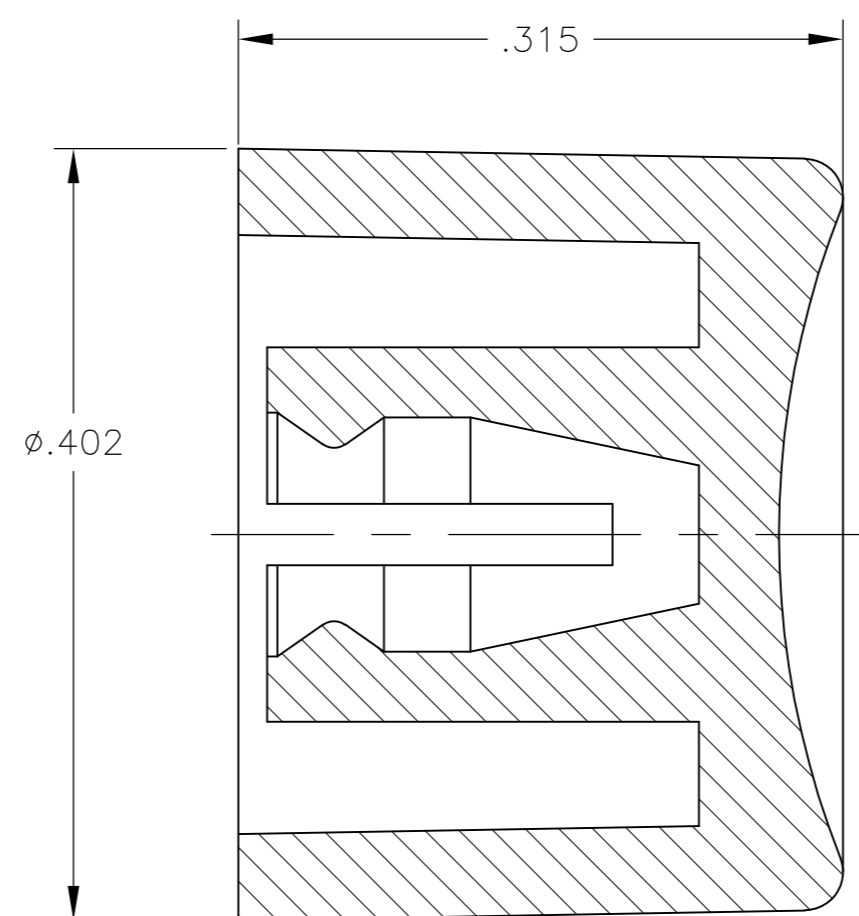
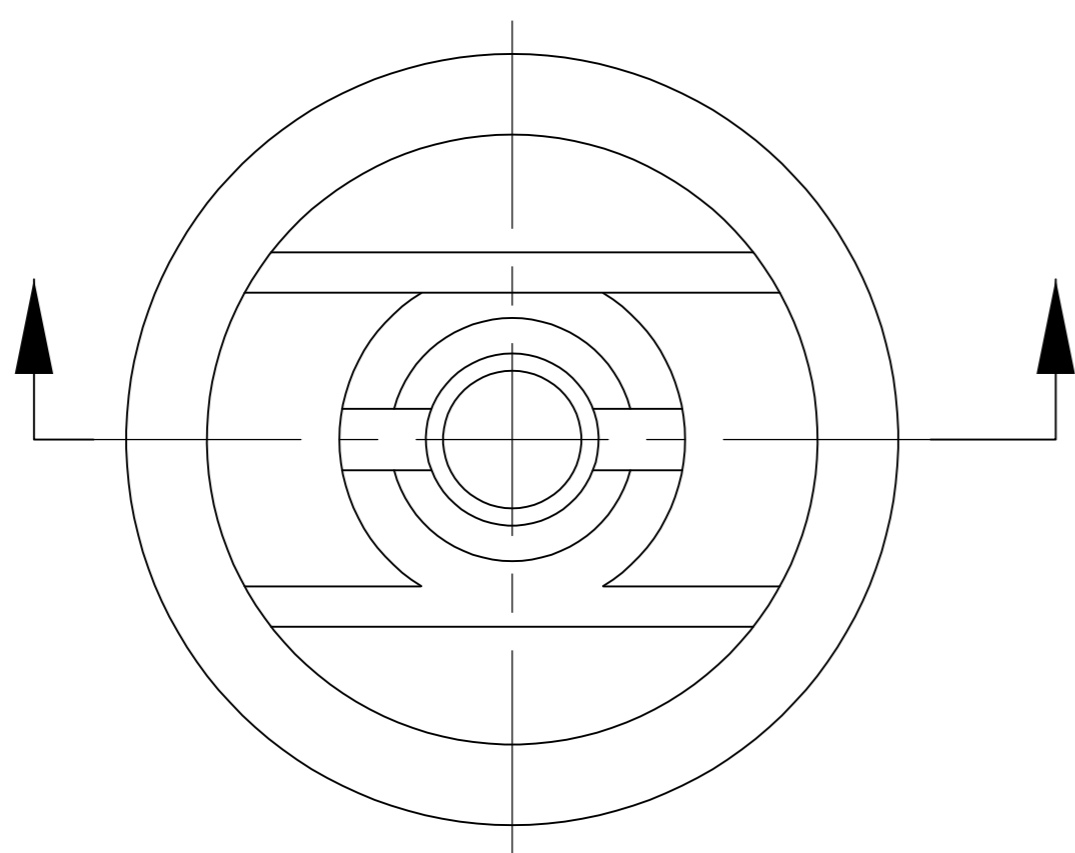


THIS DRAWING IS UNPUBLISHED. RELEASED FOR PUBLICATION
 © COPYRIGHT - By - ALL RIGHTS RESERVED.

LOC	DIST	REVISIONS			
P	LTR	DESCRIPTION	DATE	DWN	APVD
AD	00	A1	REVISED PER ECO-11-004820	11MAR11	RK HMR

1. MATERIAL SHALL COMPLY WITH EU DIRECTIVE 2002/95/EC OF 20JAN2003 (ROHS)
2. CAP FOR USE WITH GREEN SERIES PUSHBUTTON SWITCHES AS SHOWN ON DRAWINGS 1805040 AND 1805041.



WHITE	C22904	1825068-7
BLUE	C22604	1825068-6
GREEN	C22504	1825068-5
YELLOW	C22404	1825068-4
ORANGE	C22304	1825068-3
RED	C22204	1825068-2
BLACK	C22004	1825068-1
COLOR	ALCO PART NUMBER	PART NUMBER

THIS DRAWING IS A CONTROLLED DOCUMENT.		DWN	M.BINNER	30NOV04																			
DIMENSIONS: INCHES		CHK	M.ZITTO	30NOV04																			
TOLERANCES UNLESS OTHERWISE SPECIFIED:		APVD	M.ZITTO	30NOV04																			
<table border="0"> <tr><td>0 PLC</td><td>±</td><td>-</td></tr> <tr><td>1 PLC</td><td>±</td><td>-</td></tr> <tr><td>2 PLC</td><td>±</td><td>-</td></tr> <tr><td>3 PLC</td><td>±</td><td>.003</td></tr> <tr><td>4 PLC</td><td>±</td><td>-</td></tr> <tr><td>ANGLES</td><td>±</td><td>1°</td></tr> </table>		0 PLC	±	-		1 PLC	±	-	2 PLC	±	-	3 PLC	±	.003	4 PLC	±	-	ANGLES	±	1°	PRODUCT SPEC	NAME	
0 PLC	±	-																					
1 PLC	±	-																					
2 PLC	±	-																					
3 PLC	±	.003																					
4 PLC	±	-																					
ANGLES	±	1°																					
MATERIAL	POLYAMIDE	FINISH	-	WEIGHT	-	SIZE	A2	CAGE CODE	00779	DRAWING NO	C=1825068	RESTRICTED TO	-										
CUSTOMER DRAWING		SCALE	10:1	SHEET	1 of 1	REV	A1																