

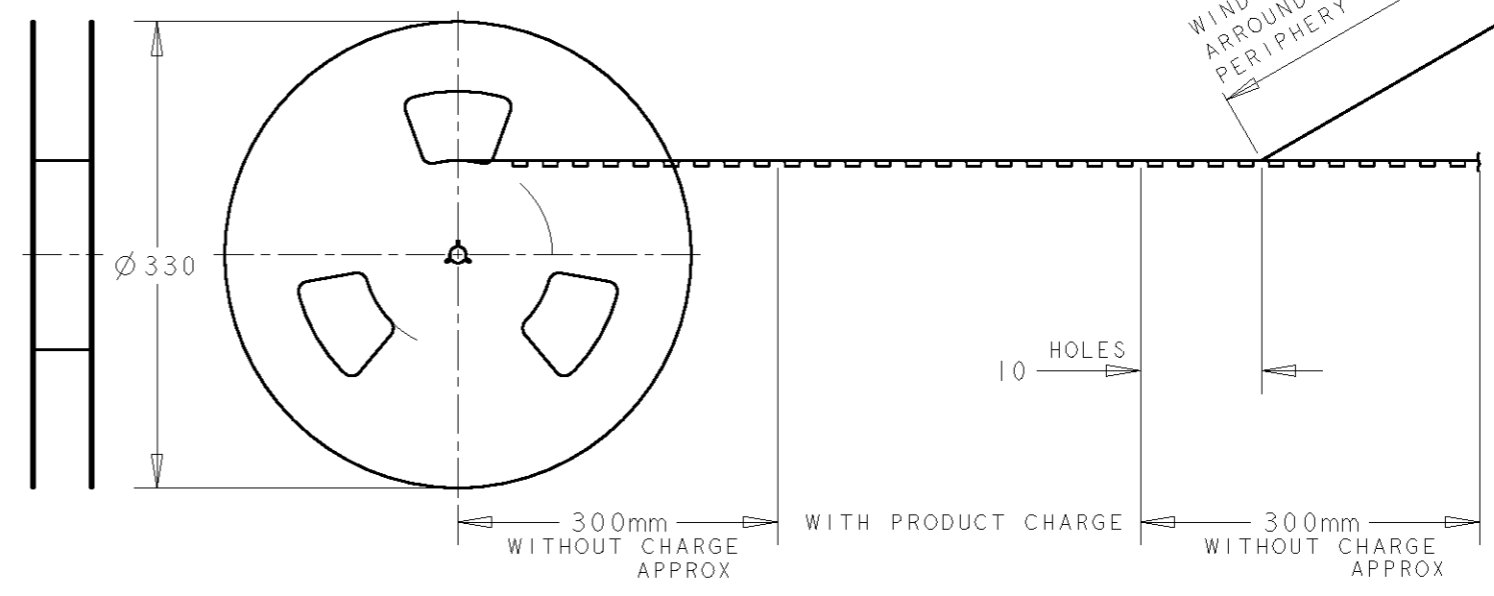
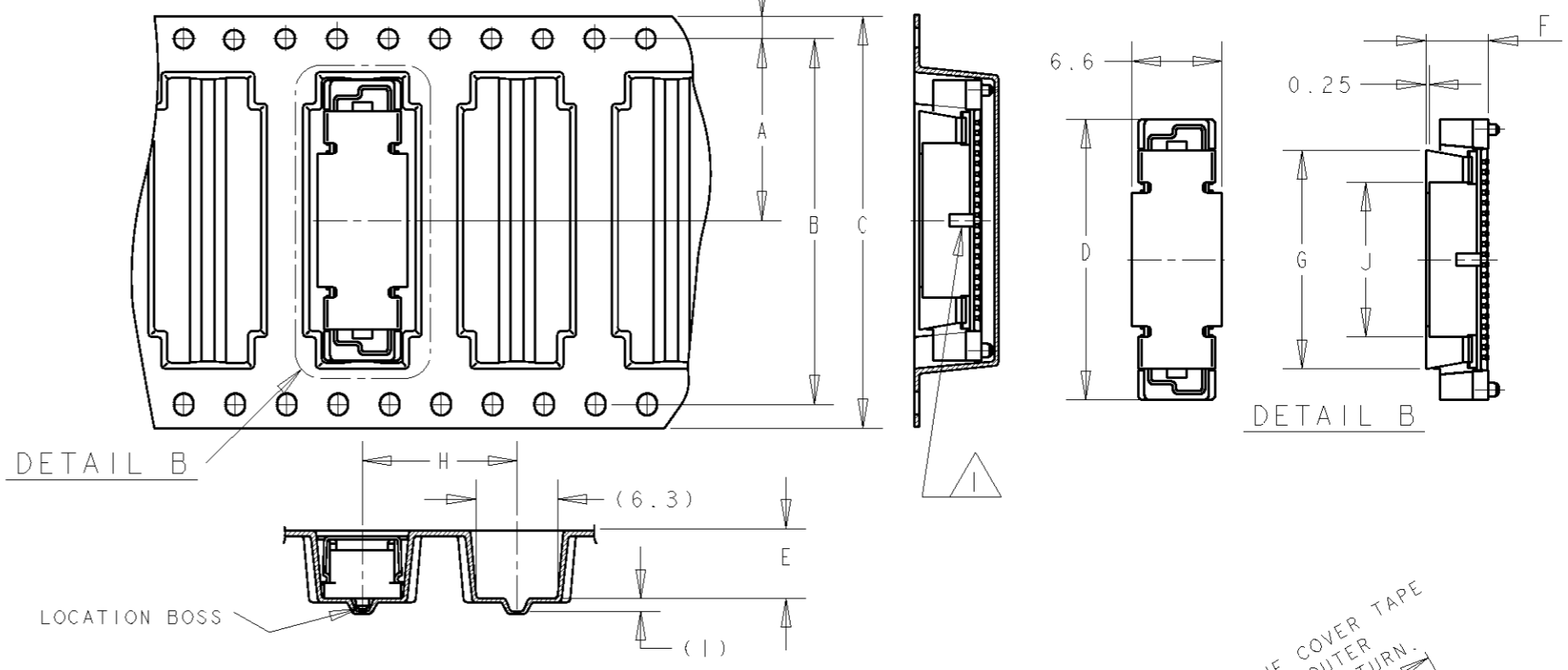
THIS DRAWING IS UNPUBLISHED. RELEASED FOR PUBLICATION
 © COPYRIGHT BY ALL RIGHTS RESERVED.

LOC		DIST		REVISIONS			DATE	DWN	APVD
P	LTR	DESCRIPTION							
		E1	REVISED PER ECO-11-005139			19MAR11	RK	HMR	

- Notes:
- 1 CUTOUT FEATURE AVAILABLE ONLY ON 5H ASSY P/N -1 (40P) AND -2 (60P).
 - 2 0.00038 MIN GOLD PLATING (15u INCHES GOLD PLATING)

HEIGHT	0.00076 MIN GOLD PLATING (30u INCHES GOLD PLATING)				0.00002 MIN GOLD PLATING (7.8u INCHES GOLD PLATING)				POS	CONN	P/N	PART NO.	
	J	H	G	F	E	D	C	B					A
450					61.8	88	84.4	42.2	140	1-	-6	7-	-6
					53.8				120	1-	-5	7-	-5
		16			45.8	72	68.4	34.2	100	1-	-4	7-	-4
					37.8	56	52.4	26.2	80	1-	-3	7-	-3
700	7H	12		6.85	7.25	21.8	32	28.4	14.2	40	1-5179030-1	7-5177986-1	-2
					69.8				160		-8	6-	-8
					61.8	88	84.4	42.2	140		-6	6-	-6
		16			53.8				120		-5	6-	-5
					45.8	72	68.4	34.2	100		-4	6-	-4
					37.8	56	52.4	26.2	80		-3	6-	-3
800	6H	12		5.85	6.25	21.8	32	28.4	14.2	40	5084615-1	6-5177986-1	-2
					69.8				160		-8	5-	-8
					61.8	88	84.4	42.2	140		-6	5-	-6
		16			53.8				120		-5	5-	-5
					45.8	72	68.4	34.2	100		-4	5-	-4
					37.8	56	52.4	26.2	80		-3	5-	-3
					29.8	44	40.4	20.2	60		-2	5-	-2
900	5H	12	12	17	4.85	5.25	21.8	32	28.4	14.2	40	5084614-1	5-5177986-1
					85.8				200	1-	-0	4-	-0
					77.8	104	100.4	50.2	180		-9	3-	-9
					69.8				160		-8	3-	-8
					61.8	88	84.4	42.2	140		-6	3-	-6
					53.8				120		-5	3-	-5
400		16			45.8	72	68.4	34.2	100		-4	3-	-4
					37.8	56	52.4	26.2	80		-3	3-	-3
					29.8	44	40.4	20.2	60		-2	3-	-2
600	8H	12		7.85	8.25	21.8	32	28.4	14.2	40	5179031-1	3-5177986-1	-1
					85.8				200	1-	-0	3-	-0
					77.8	104	100.4	50.2	180		-9	2-	-9
					69.8				160		-8	2-	-8
					61.8	88	84.4	42.2	140		-6	2-	-6
					53.8				120		-5	2-	-5
450		16			45.8	72	68.4	34.2	100		-4	2-	-4
					37.8	56	52.4	26.2	80		-3	2-	-3
					29.8	44	40.4	20.2	60		-2	2-	-2
700	7H	12		6.85	7.25	21.8	32	28.4	14.2	40	5179030-1	2-5177986-1	-1
					61.8	88	84.4	42.2	140		-6	1-	-6
					53.8				120		-5	1-	-5
					45.8	72	68.4	34.2	100		-4	1-	-4
					37.8	56	52.4	26.2	80		-3	1-	-3
					29.8	44	40.4	20.2	60		-2	1-	-2
800	6H	12		5.85	6.25	21.8	32	28.4	14.2	40	5179029-1	1-5177986-1	-1
					69.8				160		-8		-8
					61.8	88	84.4	42.2	140		-6		-6
					53.8				120		-5		-5
					45.8	72	68.4	34.2	100		-4		-4
					37.8	56	52.4	26.2	80		-3		-3
					29.8	44	40.4	20.2	60		-2		-2
900	5H	12	12	17	4.85	5.25	21.8	32	28.4	14.2	40	5177984-1	5177986-1

DIRECTION OFF TOP OF REEL →



REMARKS	QTY	HEIGHT TYPE	J	H	G	F	E	D	C	B	A	POS	CONN	P/N	PART NO.

DIMS: mm		TOLERANCES UNLESS OTHERWISE SPECIFIED:		DWN FLORENCE TAN 30AUG04		STE TE Connectivity	
MATERIAL -		FINISH -		CHK ERIC TNG		NAME PLUG ASSEMBLY (0.5 BOSS LENGTH) FOR FH 0.8 B-T-B CONN. ON TAPING	
0 PLC ±0.3		1 PLC ±0.25		APVD SEI FONG		SIZE A3	
2 PLC ±0.2		3 PLC ±0.2		PRODUCT SPEC 108-5390		CAGE CODE 00779	
4 PLC ANGLES ±3°				APPLICATION SPEC 114-5254		DRAWING NO C-5177986	
				WEIGHT -		SCALE 2:1	
				CUSTOMER DRAWING		SHEET 1 OF 1 REV E1	