

# Rittal – The System.

Faster – better – everywhere.

## Security lock – SZ 2418.000

Date : Apr 27, 2021

ENCLOSURES

POWER DISTRIBUTION

CLIMATE CONTROL

IT INFRASTRUCTURE

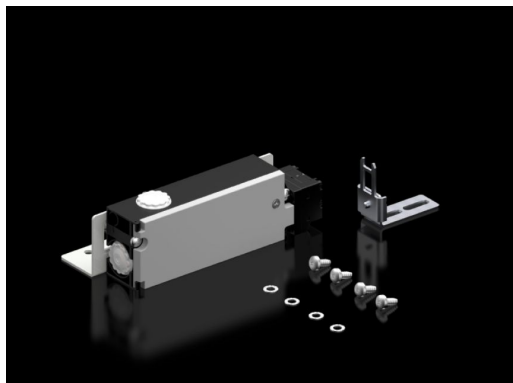
SOFTWARE & SERVICES

FRIEDHELM LOH GROUP



# Security lock – SZ 2418.000

created: 27.04.2021 build on [www.rittal.com/uk-en](http://www.rittal.com/uk-en)



## Product description

<b>Description:</b>	Fitted to doors, to protect against contact with live electrical equipment whilst the master switch is ON.
<b>Function principle:</b>	Locks the door when the master switch is ON. Mains power (voltage) is only enabled whilst the door is closed. Monitoring of the lock magnet via an additional closing contact.
<b>Assembly instruction:</b>	In two-door enclosures, the door-operated switch is required for the overlapping door, to indicate "enclosure door closed"
<b>Supply includes:</b>	Lock Actuator Angle bracket Assembly parts

## Product description

<b>To fit:</b>	Enclosure type: VX Enclosure type: TS Enclosure type: SE
<b>Rated operating voltage:</b>	24 V (DC)
<b>Power consumption:</b>	With DC: 8 W
<b>Rated insulation voltage:</b>	400 V AC
<b>Rated impulse withstand voltage, phase to phase:</b>	4000 V AC

<b>Packs of:</b>	1 pc(s).
<b>Weight/pack:</b>	0.74 kg
<b>Copper weight (kg per piece):</b>	0
<b>EAN:</b>	4028177022690
<b>Customs tariff number:</b>	83015000
<b>ETIM 7.0:</b>	EC002626
<b>ETIM 6.0:</b>	EC002626
<b>eCl@ss 8.0/8.1:</b>	27189266
<b>eCl@ss 6.0/6.1:</b>	27189266
<b>Product description:</b>	SZ Security lock, 24 V DC

## Approvals

<b>Approvals:</b>	CSA UL
<b>Certificates:</b>	EAC
<b>Declarations:</b>	Declaration of conformity