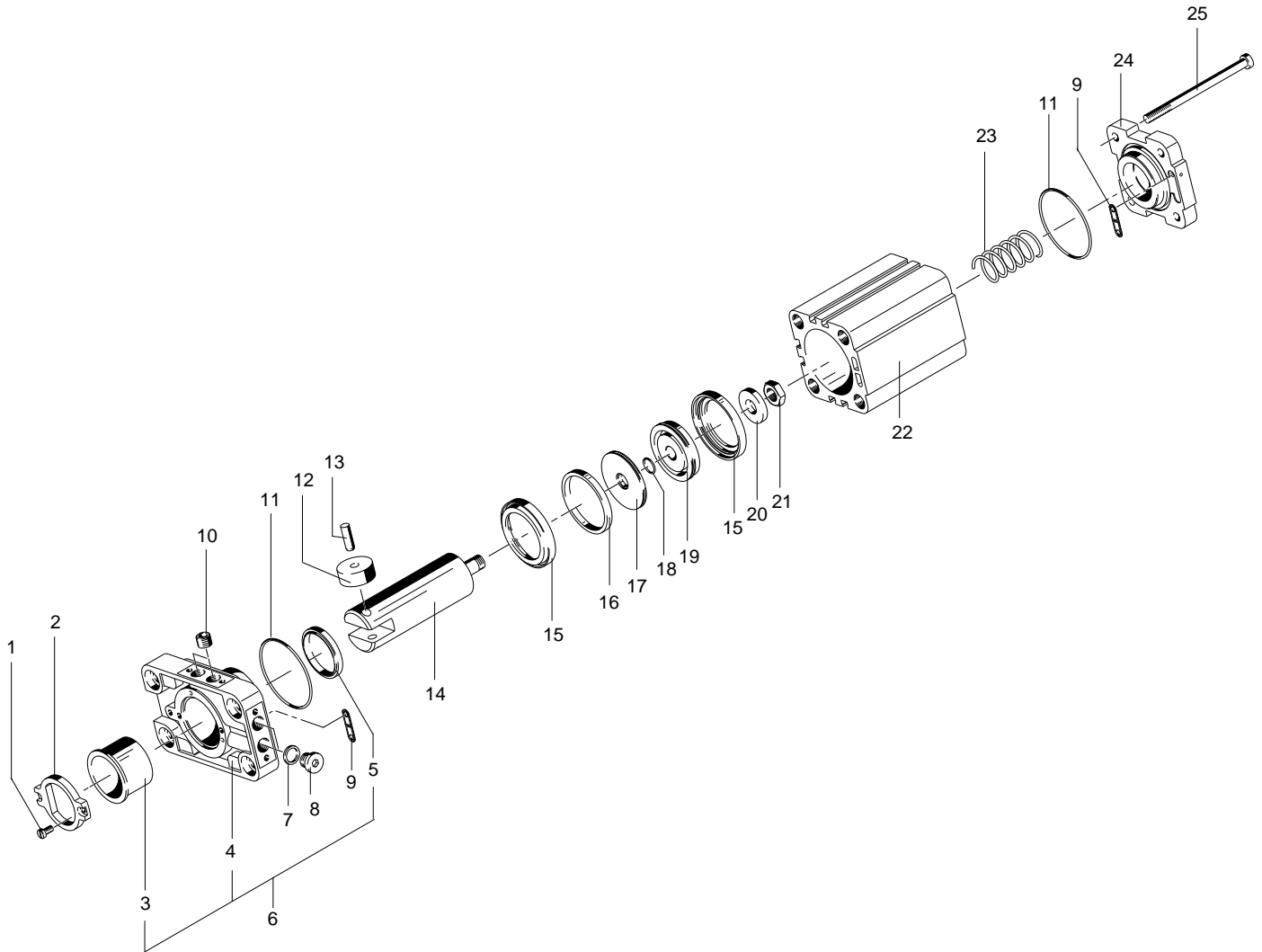


164886 STAF-80-30-P-A-R Stopper cylinder - Series: All



164886 STAF-80-30-P-A-R Stopper cylinder - Series: All

Pos.	Part no.	Type	Note	Qty.	Unit
A	704962	STAF-80-40-P-A-... Set of wearing parts	Spare parts: 5, 9, 11, 15, 18	1	PC
1	208679	DIN 7984-M6X12-8.8 Socket head screw	Use locking compound 8181256 CYBERBOND TM44 Tightening torque 1.0 Nm / 0.7 lbf ft	2	PC
2	359711	STAF- 80- 30PA-R Plate		1	PC
3	673543	RN202FM-5055-50 Plain bearing		1	PC
4			Not available separately, see position 6	1	PC
5		RIFC1-50X60X7-NBR Rod seal	Not available separately, see position 6+999 Lubricate with 684474 LUB-KC1 during assembly	1	PC
6	127253	STAF- 80- 30PA-K Flange bearing		1	PC
7	2223	O-1/8 Sealing ring		2	PC
8	3568	B-1/8 Blanking plug		2	PC
9		STA-F80 Seal	Not available separately, see position A Lubricate with 684474 LUB-KC1 during assembly	2	PC
10	340116	G1/8-AEVU Filter nipple		1	PC
11		B-80X1,5-N-NBR70 O-ring ISO3601	Not available separately, see position A Lubricate with 684474 LUB-KC1 during assembly	2	PC
12	359710	STAF-80-30-P-A-R roller	Lubricate with 684474 LUB-KC1 during assembly	1	PC
13	200760	DIN 6325-10M6X40 Cylindrical pin		1	PC
14	359709	ORA-50-S0132,5-S Piston rod		1	PC
15		PEFC1-80-TPE-U Piston seal	Not available separately, see position A Lubricate with 684474 LUB-KC1 during assembly	2	PC
16	338257	76,75X68X5,8 Ring magnet		1	PC
17		ADVU- 80 Piston	Not available	1	PC
18		B-12X1,5-N-NBR70 O-ring ISO3601	Not available separately, see position A Lubricate with 684474 LUB-KC1 during assembly	1	PC
19		AEVU- 80 Piston magnet	Not available	1	PC
20	338339	DIN 7349-13 Disc		1	PC
21	203968	DIN 439-B-M12X1,25-04 Hex nut	Use locking compound 8181256 CYBERBOND TM44 Tightening torque 45.0 Nm / 33.2 lbf ft	1	PC
22		STAF-80-30 Cylinder barrel	Not available Lubricate with 684474 LUB-KC1 during assembly	1	PC
23	670843	STAF-80-40 Compression spring		1	PC
24	676847	STAF-80-30-P-A-K End cap		1	PC
25	359744	DIN 7984-M8X120-8.8 Socket head screw	Use locking compound 8181256 CYBERBOND TM44 Tightening torque 12 Nm / 8.9 lbf ft	4	PC