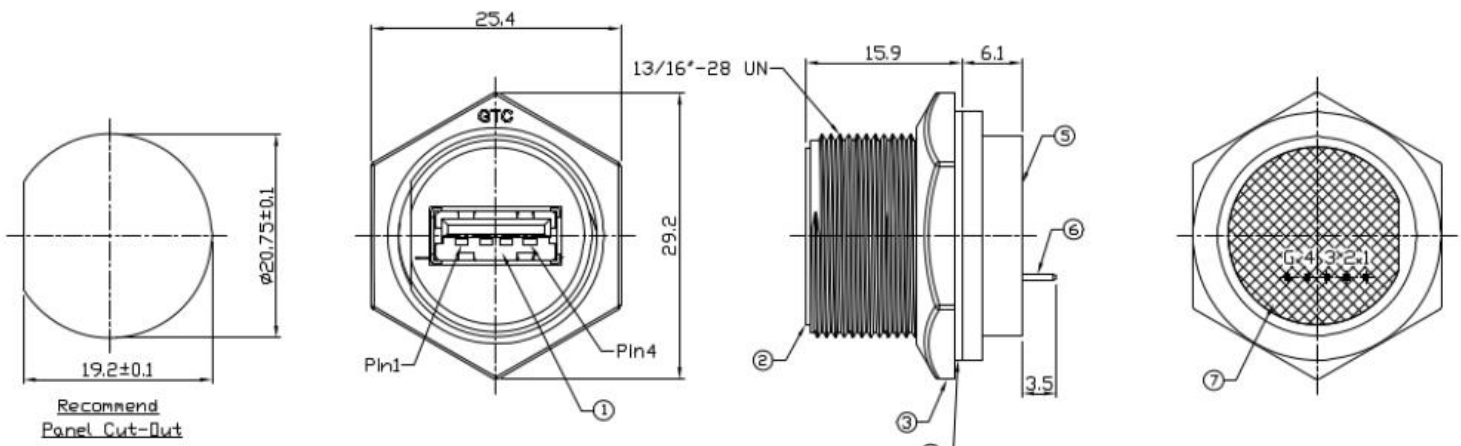




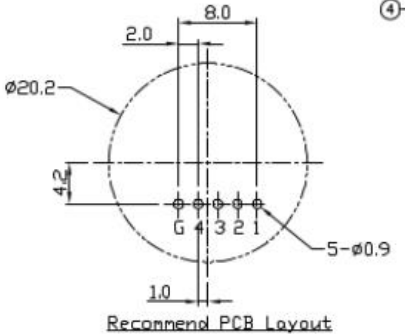
Notes: (Unless Otherwise Specified)

1. Waterproof Rate: IP67.
2. Recommend Panel Thickness: 0.8 to 6.0 mm.
3. Recommend Torque: 14~15 Kgf-cm.
4. Mating Cap P/N: 125-7929
5. RoHS Compliant.

REV	ECN#	DESCRIPTION OF REVISION	DRAW BY DATE	CHECK BY DATE	APPROVE BY DATE
A0		Mass Production	Joyce 10/18/11	Lucas 10/18/11	Roy 10/18/11



Item	Part Name	Material / Finish	Qty
7	Glue	Epoxy Color: Black	
6	Pin Header	Housing: Thermal Plastic, Color: Black Contacts: Copper Alloy, Finish: Au Plated	1
5	PCB	FR-4 Color: Green	1
4	Gasket	Silicone Color: Black	1
3	Hex Nut	Thermal Plastic Color: Black	1
2	Housing	Thermal Plastic Color: Black	1
1	USB-A Receptacle	Housing: Thermal Plastic, Color: Black Contacts: Copper Alloy, Finish: Au Plated Shell: Copper Alloy, Finish: N Plated	1



Mating Part:
111-6758

RS Stock No
111-6760

TITLE						TOLERANCES		UNIT	SHEET
USB-A Plastic C3 Panel Jack Dip Screw						XX ± 0.5	X.XXX ± 0.05	mm	1/1
						X.XX ± 0.2	ANGLES ± 1°		
THIRD ANGLE PROJECTION	SIZE	SCALE	DRAW / DATE	CHECK / DATE	APPROVE / DATE				