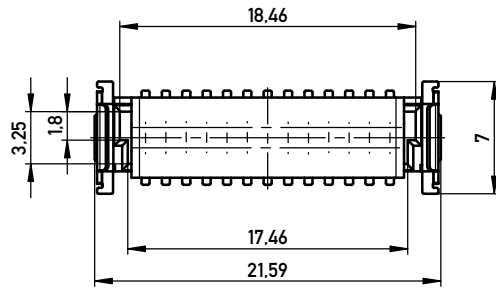
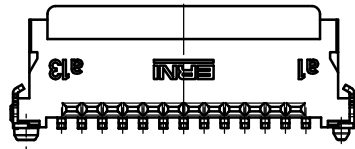
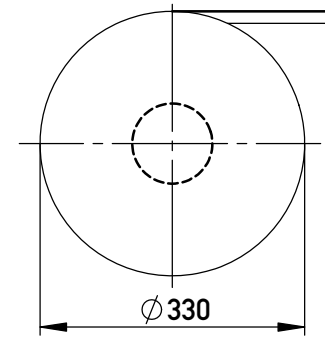
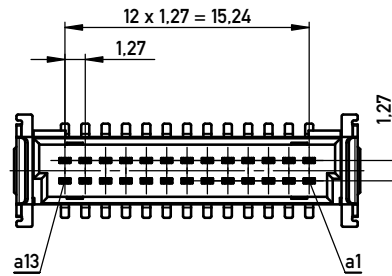


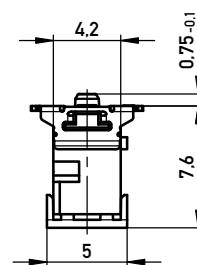
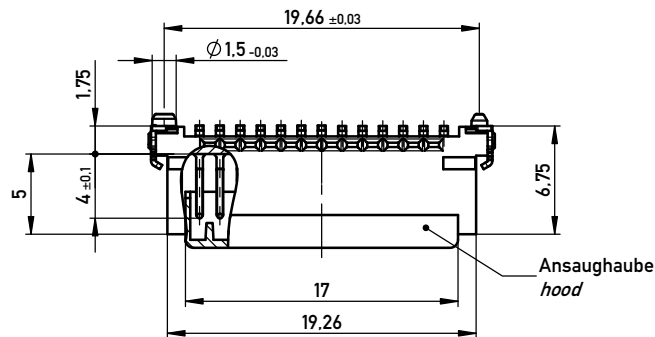
Verpackt in Gurtverpackung  
*Tape on Reel Packaging*  
 Verpackungseinheit: 280 Stück  
*Packaging unit: 280 pcs*



ohne Ansaughaube - *without hood*



Abspulrichtung - *Reel off Direction*

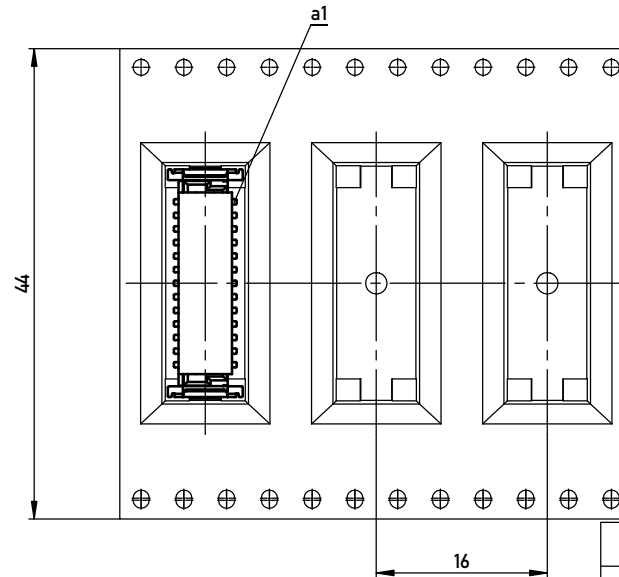


Anforderungsstufe 1  
*Performance Level 1*

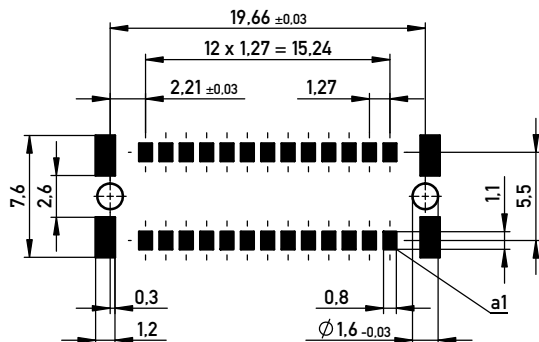
Kontaktbereich vergoldet  
*Mating Area gold plating*

Anschlussbereich verzinkt 4-6 µm  
*Terminal Area 4-6 µm tin plating*

Koplanarität der Anschlüsse ≤ 0,1 mm  
*Coplanarity Area of Termination ≤ 0,1 mm*



Leiterplatten-Layout Vorschlag für SMT  
*PCB-Layout Proposal for SMT*



BA 8-13 - 8mm Bauhöhe  
*type 8-13 - Low Profile*

Information:	Tolerances	 All Dimensions in mm	Scale	3:1
	All rights reserved. Only for Information. To ensure that this is the latest version of this drawing, please contact one of the ERNI companies before using.		Designation <b>Messerl. SMC-Q 26-SMD-BA8-13</b> <i>Male SMC-Q 26-SMD-type 8-13</i>	
Subject to modification without prior notice. Drawing will not be updated.		 www.ERNI.com		<b>244837</b>
d	22.07.2013	Class		SMCQ
Index	Date			A3

Copyright by ERNI GmbH  
 Proprietary notice pursuant to ISO 9006 to be observed.