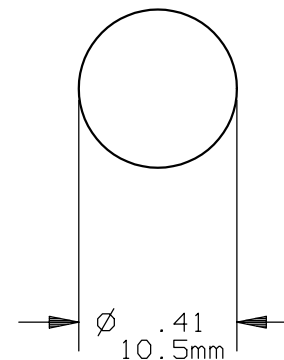
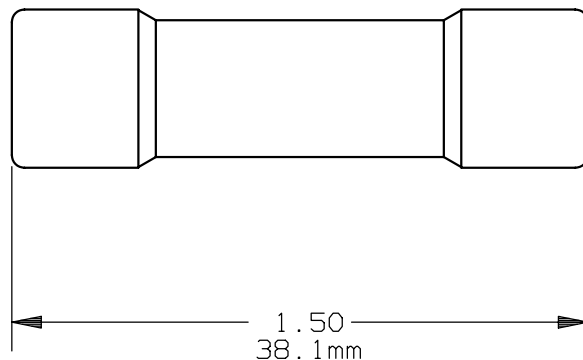


REV	DATE	ECO	DESCRIPTION	BY	CK	APP
E	1-4-11	N/A	REMOVED DIM. TOLERANCES	LDB	N/A	N/A



NOTES:

1. DIMENSIONS ARE IN  $\frac{\text{INCH}}{\text{MILLIMETER}}$



MERSEN USA NEWBURYPORT-MA, LLC  
374 MERRIMAC STREET  
NEWBURYPORT, MA 01950

PRODUCT MANAGER

DESIGN ENGINEER

SIGN:

SIGN:

DATE:

DATE:

ATM(1/10-30)  
FORM 600 MIDGET  
1/10-30A. 600V  
PLATED TERMINALS

OUTLINE DIMENSIONS  
NOT TO BE USED FOR PRODUCTION

14050