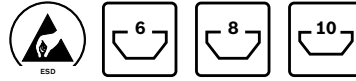


Leveling foot, foot, damping ring



Leveling foot

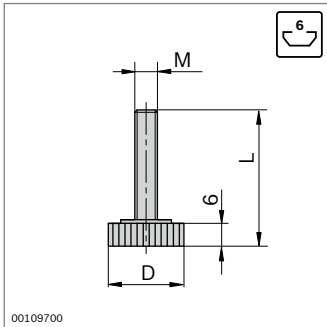
- ▶ For compensating irregularities in the floor up to 5°
- ▶ Fully assembled spindle and base plate
- ▶ Profile finishing: thread in central hole

Damping ring

- ▶ The electrically insulating damping ring prevents the transfer of vibrations and allows a defined conduction of voltages via a set of grounding components (p. 17-2)

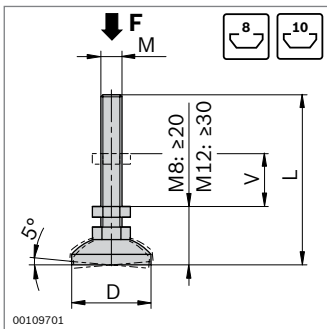
Optional accessories:

bearing ring (p. 6-16), for when cover caps with a hole are used



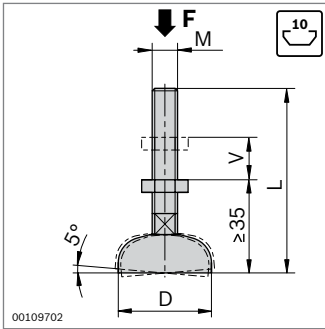
Leveling foot	M	D (mm)	L (mm)	ESD	No.
	M6	20	41	20	3 842 518 743

Material: steel/plastic



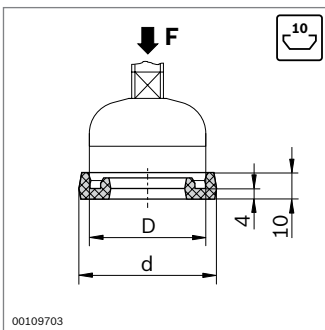
Leveling foot	F (N)	M	D (mm)	L (mm)	V (mm)	ESD	No.
	5000	M8	30	65	15	20	3 842 502 257
	8000	M12	30	72	14	20	3 842 529 025

Material: steel; galvanized



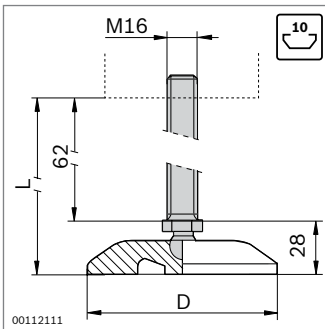
Leveling foot	F (N)	M	D (mm)	L (mm)	V (mm)	ESD	No.
	10000	M12	44	85	30		20 3 842 352 061
	20000	M16	44	145	80		20 3 842 311 956
	10000	M12	44	160	80		20 3 842 536 470
	20000	M16	44	200	135		20 3 842 554 149
	10000	M12	58	85	30		20 3 842 511 893
	20000	M16	90	85	20		20 3 842 311 950
	20000	M16	90	145	80		20 3 842 311 951
	20000	M16	90	200	135		20 3 842 527 186

Material: steel; galvanized



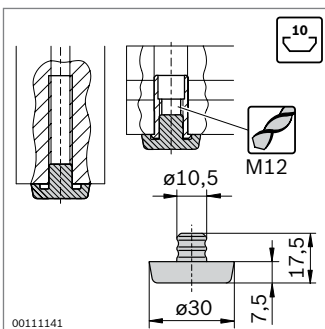
Damping ring	F (N)	D (mm)	d (mm)	No.
	1600	30	39	20 3 842 529 024
	2000	44	52	20 3 842 521 817
	2500	58	66	20 3 842 522 301
	3000	90	98	20 3 842 522 303

Material: PUR; natural, hardness: shore A 70-80



Leveling foot	M	D (mm)	L (mm)	V (mm)	No.
	M16	80	95	62	1 3 842 533 310

Material: Shaft: Stainless steel
Base plate: PA



Foot	No.
	100 3 842 514 568

Material: TPE, black