

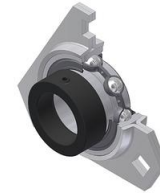


Brand of NTN Group

Technical data

ESPFT204

Bearing units

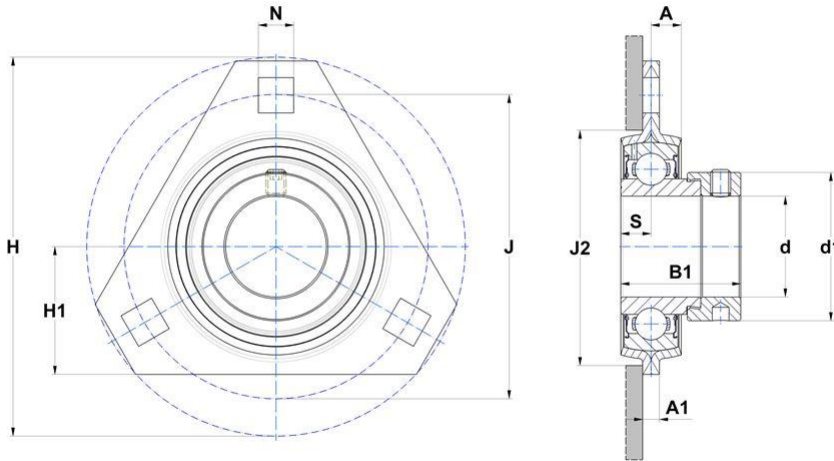


Sheet metal housing, radial insert ball bearing with eccentric locking collar, single lip seal

KIT CONTENT

ES204G2, PFT204

VISUAL (S)



PRODUCT DEFINITION

Brand	SNR
A - Housing height	7,2 mm
A1 - Housing foot height / flange height	4 mm
A2 - Total height from mounting surface	25,4 mm
B - Width of Inner Ring	21,4 mm
B1 - Overall width Inner Ring	30,9 mm



NTN Europe

1 rue des Usines · BP 2017 · 74010 Annecy Cedex · France · Tel. +33 (0)4 50 65 30 00
S.A. au capital de 322 639 919 € · RCS ANNECY B 325 821 072 · Id. Fiscale : FR 48 325 821 072
SIRET 325 821 072 00015 · Code APE 2815 Z · Code NACE 28.15

PRODUCT DEFINITION

d - Shaft diameter	20 mm
d1 - Outer dia of eccent. Lock. collar / nut of adapter sleeve	32,4 mm
e - Distance mounting surface to bearing center	2 mm
H - Housing length, width or diameter	90,5 mm
H1 - Distance housing side to centre of bearing insert	33,3 mm
J - Mounting holes distance	71,5 mm
N - Mounting hole dimension	8,7 mm
S - Distance front side/bearing centre	7,5 mm

PRODUCT PERFORMANCE

C - Dynamic load rating	12800000 mN
C0 - Static load rating	6650000 mN
Operating temperature min.	253,15 °K
Operating temperature max.	373,15 °K

OTHER FEATURES

Mass	0,27 kg
Recommended tightening torque for set screw	5.5 N-m

