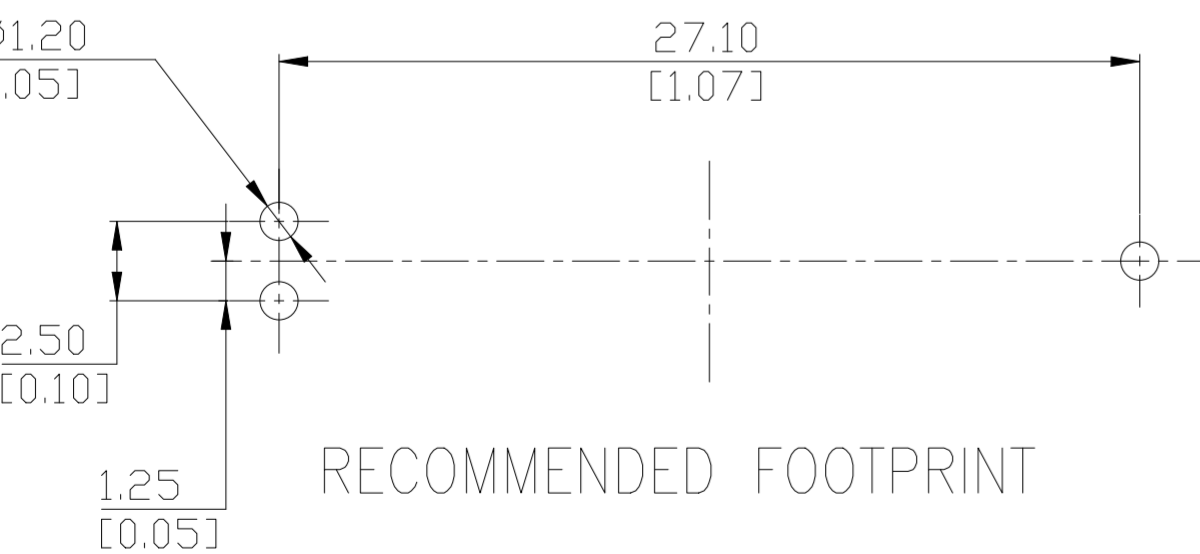
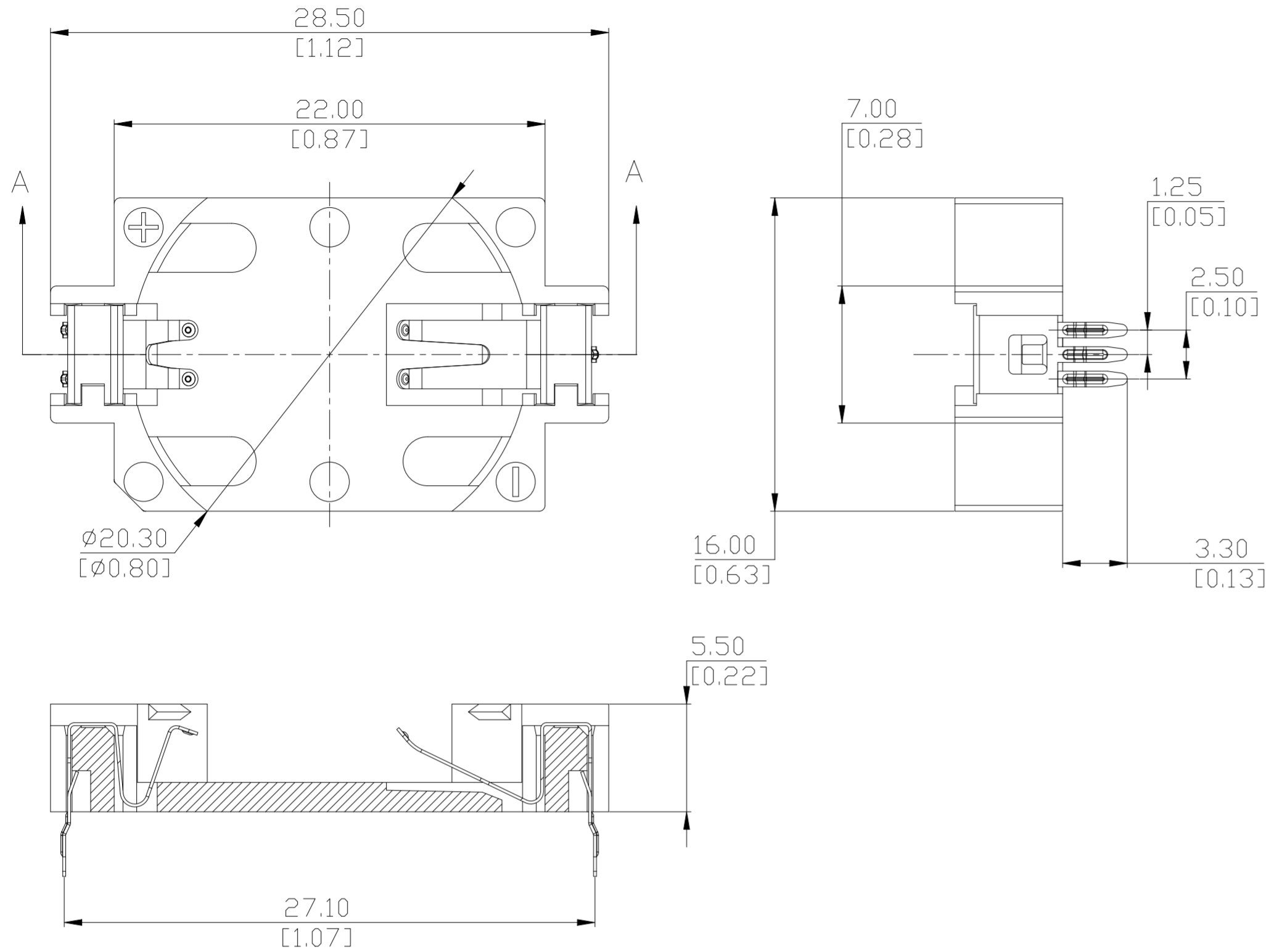


REVISIONS					
P	LTR	DESCRIPTION	DATE	DWN	APVD
B		REVISED PER ECN-25-319843	05MAY2025	MS	JM



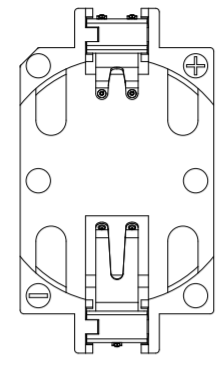
NOTES: (UNLESS OTHERWISE SPECIFIED)

1. ALL DIMENSIONS ARE IN MILLIMETERS [IN].
2. DIMENSIONS APPLY AFTER FINISHING.
3. MANUFACTURE TO BE COMPLIANT WITH EU RoHS DIRECTIVE, USE MATERIALS THAT DO NOT CONTAIN REACH SUBSTANCES OF VERY HIGH CONCERN >1000ppm, AND USE DRC CONFLICT-FREE SOURCED MATERIALS.
4. ELECTRICAL SPECIFICATIONS ARE FOR LISTED FOR REFERENCE ONLY. SEE LINX DATA SHEET FOR CURRENT PROPERTIES
  1. CONTACT RESISTANCE: NTE 50mΩ
  2. INSULATION RESISTANCE: 100MΩ MAX
  3. DIELECTRIC RESISTANCE: 500VAC
5. MECHANICAL PROPERTIES
  1. MATERIAL: LCP, WHITE, UL94V-0
  2. OPERATING TEMPERATURE: -25°C - +85°C
  3. UNLISTED DIMENSIONS CONTROLLED BY SOLID MODEL AT LATEST REVISION.
  4. THROUGH HOLE DIAMETER 1.20mm
6. BOX PACKAGING

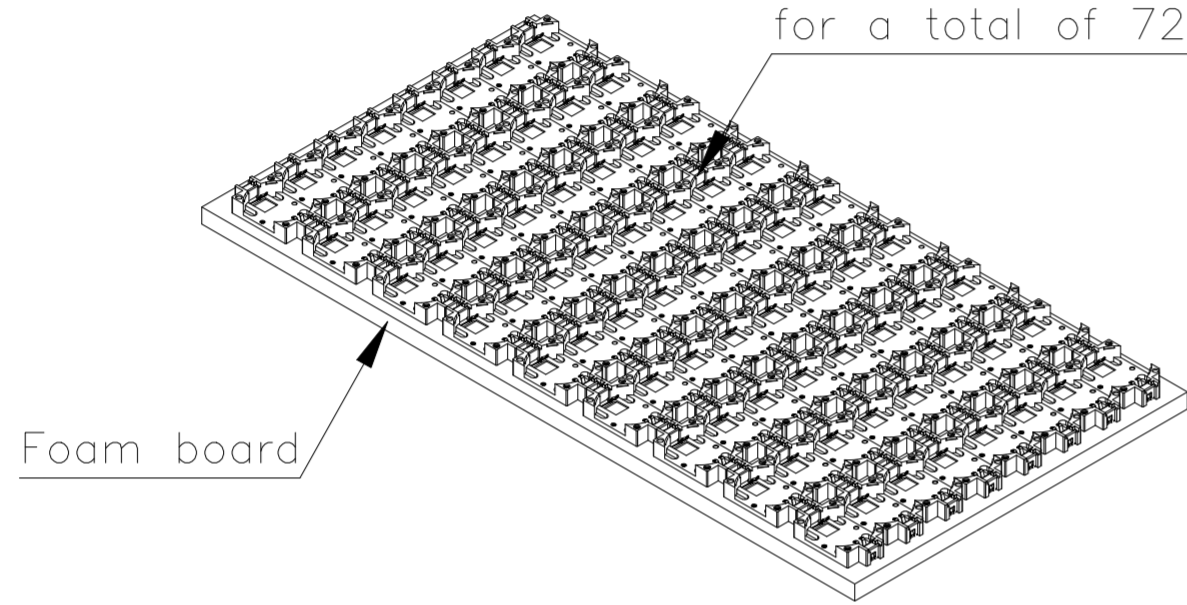
BAT-HLD-014-THM  
PN NUMBER

THIS DRAWING IS A CONTROLLED DOCUMENT.		DWN MADHAN_S 04FEB2025	TE Connectivity Ltd.																			
DIMENSIONS: mm		CHK MOHANTY, JAGRUTI 04FEB2025																				
TOLERANCES UNLESS OTHERWISE SPECIFIED:		APVD MOHANTY, JAGRUTI 04FEB2025	NAME BATTERY HOLDER THRU MOUNT CR2032 SOLDER																			
<table border="0"> <tr> <td>0 PLC</td> <td>±</td> <td>-</td> </tr> <tr> <td>1 PLC</td> <td>±</td> <td>0.50</td> </tr> <tr> <td>2 PLC</td> <td>±</td> <td>0.40</td> </tr> <tr> <td>3 PLC</td> <td>±</td> <td>0.30</td> </tr> <tr> <td>4 PLC</td> <td>±</td> <td>0.20</td> </tr> <tr> <td>ANGLES</td> <td>±</td> <td>1', 0.5'</td> </tr> </table>		0 PLC	±	-	1 PLC	±	0.50	2 PLC	±	0.40	3 PLC	±	0.30	4 PLC	±	0.20	ANGLES	±	1', 0.5'	PRODUCT SPEC 108-161664	SIZE A2	CAGE CODE 00779
0 PLC	±	-																				
1 PLC	±	0.50																				
2 PLC	±	0.40																				
3 PLC	±	0.30																				
4 PLC	±	0.20																				
ANGLES	±	1', 0.5'																				
MATERIAL LCP PHOSPHOR BRONZE	FINISH Sn	WEIGHT -	DRAWING NO BAT-HLD-014-THM	RESTRICTED TO -																		
CUSTOMER DRAWING			SCALE 1:1	SHEET 1 of 2																		

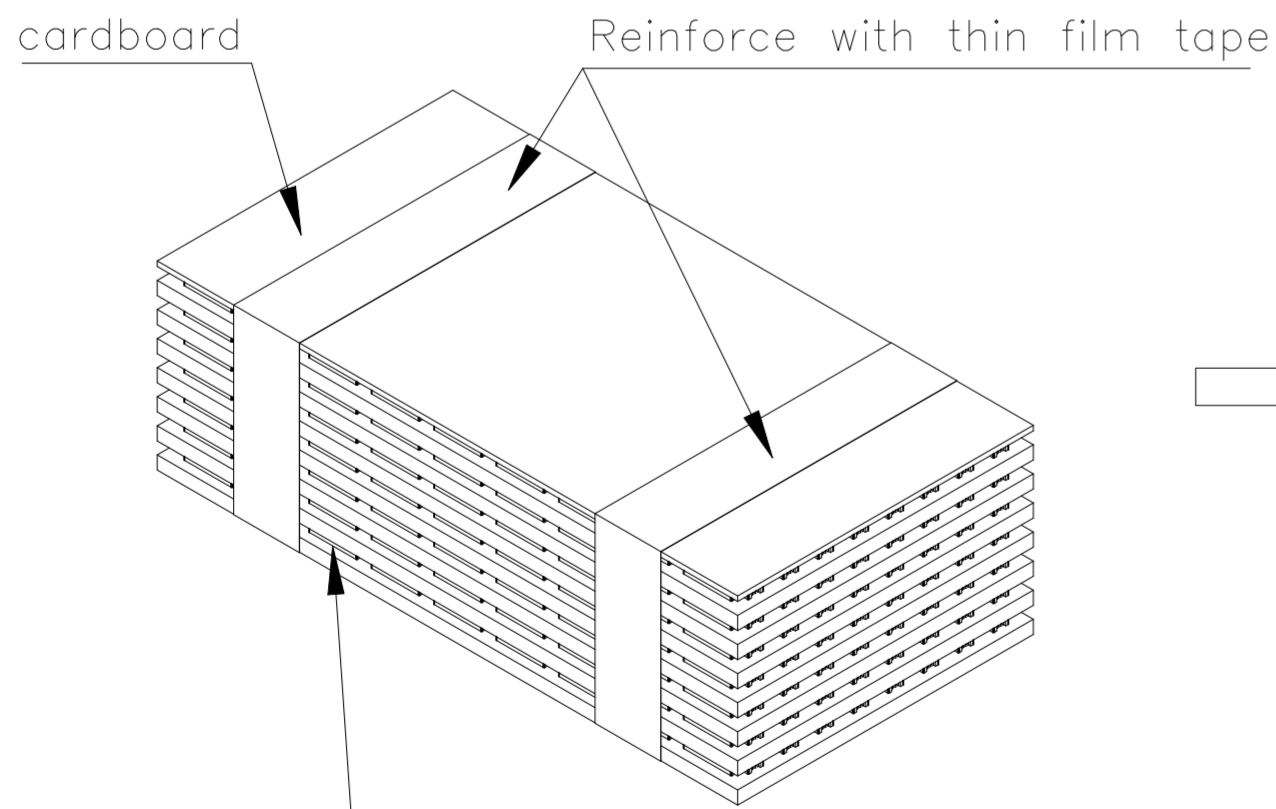
REVISIONS					
P	LTR	DESCRIPTION	DATE	DWN	APVD
-	-	SEE SHEET 1	-	-	-



Each plate contains 8 rows, each row contains 9 PCS, for a total of 72 PCS



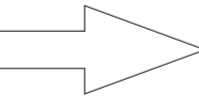
Foam board



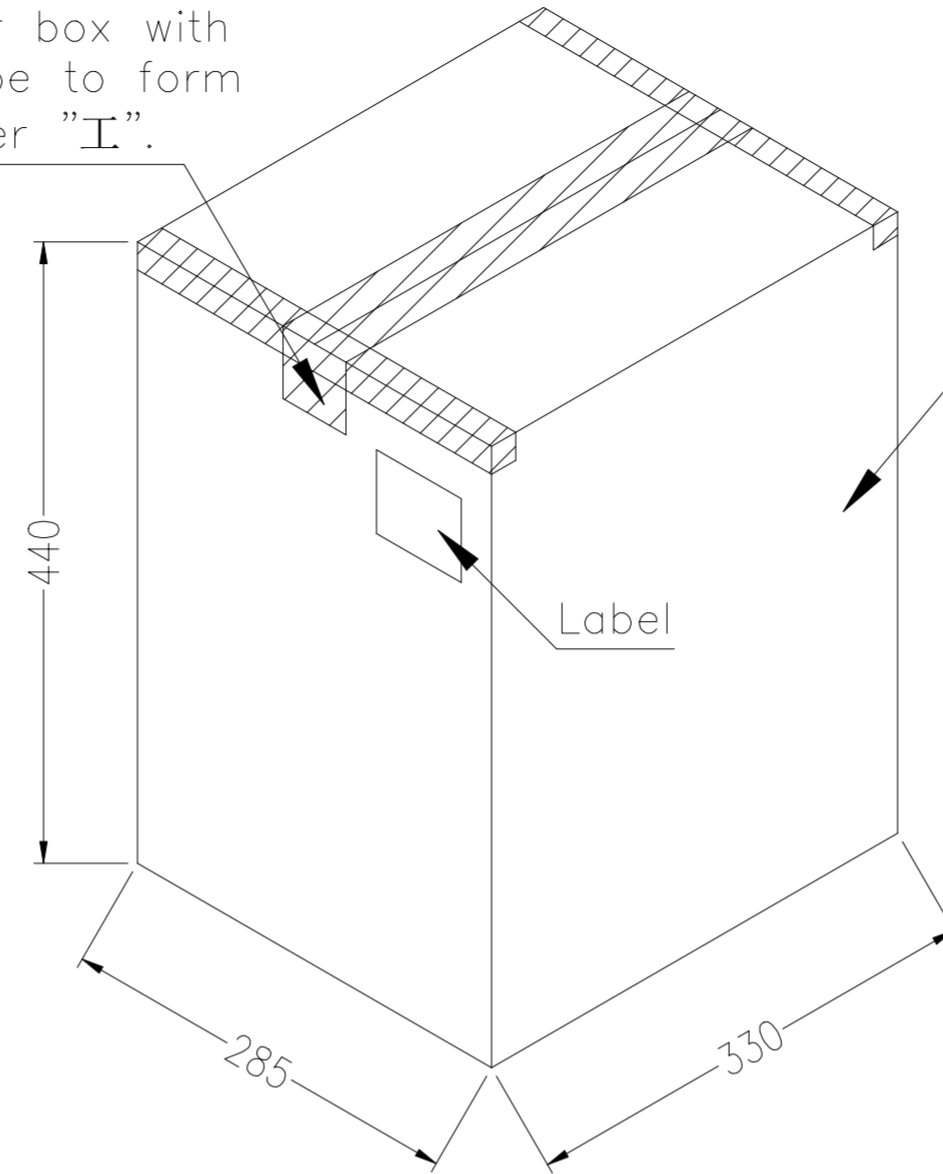
Reinforce with thin film tape

cardboard

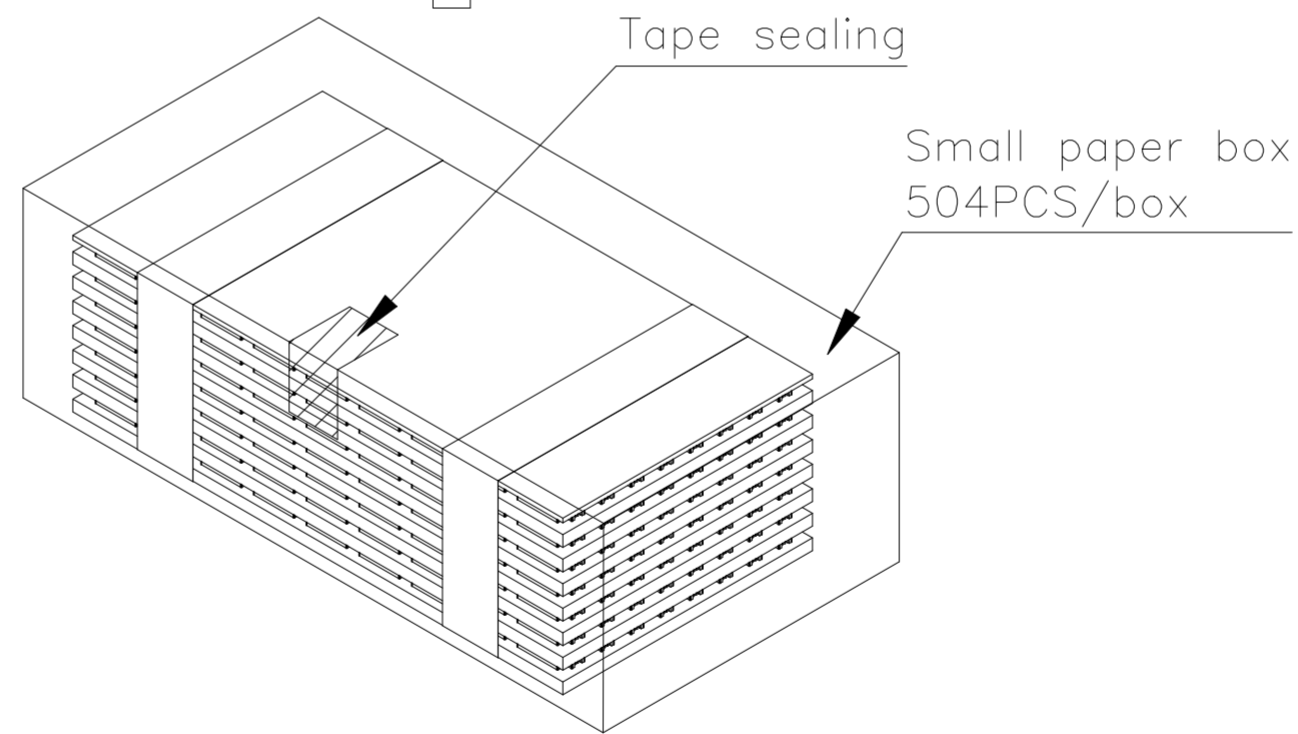
7 boards are bundled together, with an additional cardboard on the top layer, for a total of 504 PCS per bundle



Seal the top and bottom of the outer box with adhesive tape to form the character "I".



Large cardboard box  
10 Small paper box=5040PCS/Large cardboard box



Tape sealing

Small paper box  
504PCS/box

THIS DRAWING IS A CONTROLLED DOCUMENT.		DWN MADHAN_S 04FEB2025	TE Connectivity Ltd.		
DIMENSIONS: mm		CHK MOHANTY, JAGRUTI 04FEB2025			
TOLERANCES UNLESS OTHERWISE SPECIFIED:		APVD MOHANTY, JAGRUTI 04FEB2025	PRODUCT SPEC		BATTERY HOLDER THRU MOUNT CR2032 SOLDER
0 PLC ± -		APPLICATION SPEC		108-161664	RESTRICTED TO
1 PLC ± 0.50		WEIGHT		-	-
2 PLC ± 0.40		SCALE		1:1	SHEET 2 of 2
3 PLC ± 0.30		CUSTOMER DRAWING		REV B	
4 PLC ± 0.20		MATERIAL		FINISH	
ANGLES ± 1°, 0.5°		SIZE		A2	00779
FINISH		CAGE CODE		BAT-HLD-014-THM	