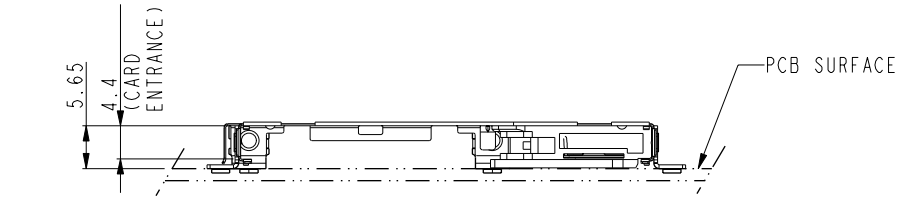
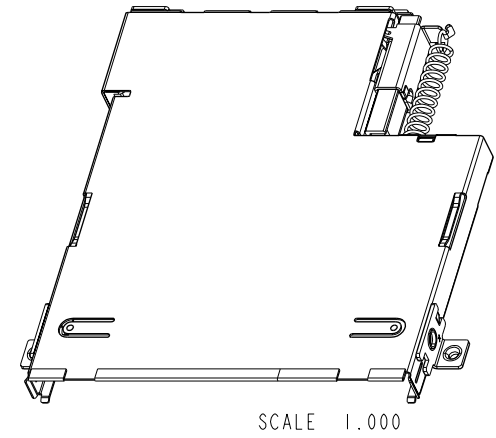
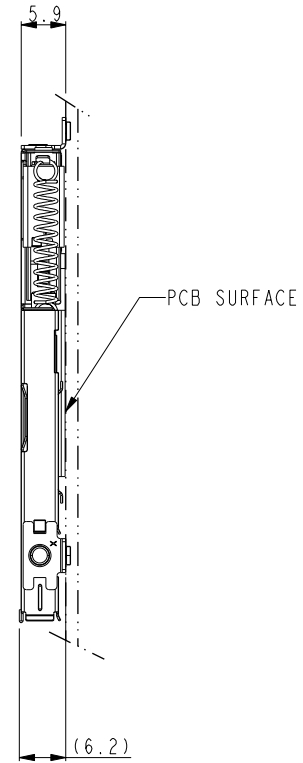
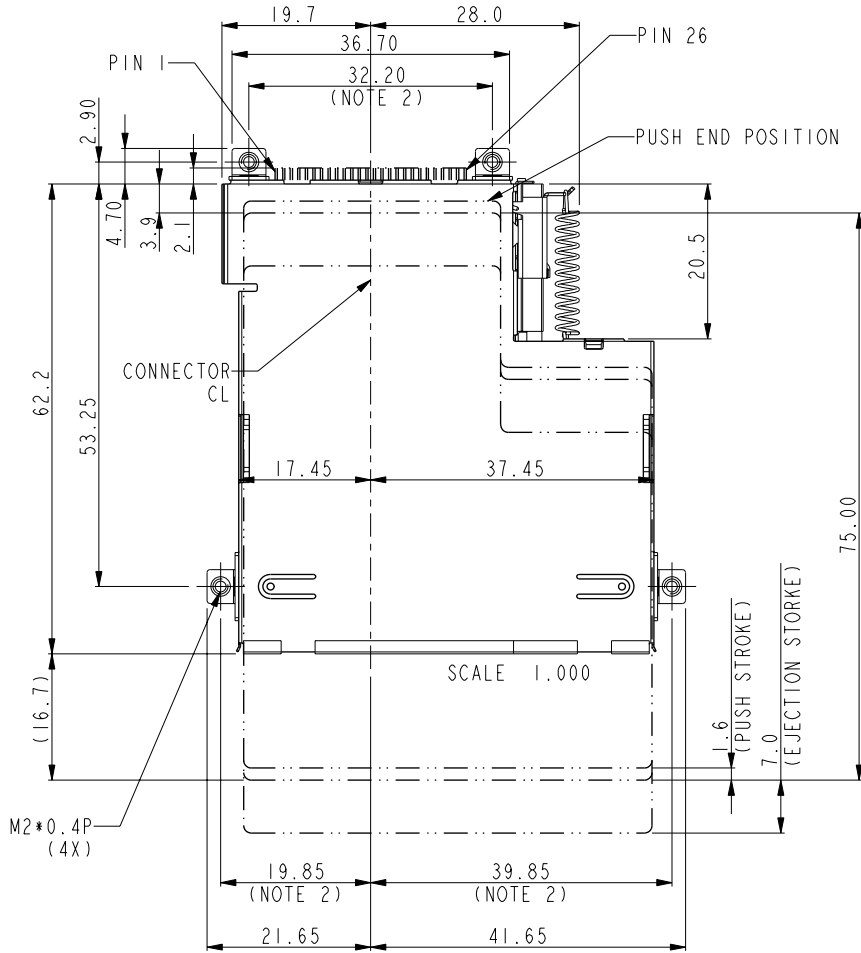


Tous droits strictement réservés. Reproduction ou communication à des tiers interdite sous quelque forme que ce soit sans autorisation écrite du propriétaire. Propriété de FCI. Droits de reproduction FCI.



All rights strictly reserved. Reproduction or issue to third parties in any form whatever is not permitted without written authority from the proprietor. Property of FCI. Copyright FCI.



rev	ecn no	dr	date
A	T05-0116	TAI	05/30/05
B	T05-0244	TAI	11/02/05
-	-	-	-
-	-	-	-
-	-	-	-
-	-	-	-

www.fciconnect.com		<input checked="" type="checkbox"/> tolerance ASME Y14.5	projection MM
Dr	KENNY TAI	02/17/05	Product family
Eng	KENNY TAI	02/17/05	Spec ref *
Chr	KENNY TAI	02/17/05	Material SEE NOTES
Appr	JOSEPH HSIA	02/17/05	ECN T05-0244
title TOP MOUNT, CARD PUSH EXPRESSCARD HOST MECH.			size A4 Scale 1.000
catalog no 10053827		dwg no 10053827	Rev. B
CUSTOMER		sheet 1 of 2	

tolerance unless otherwise specified	
linear	.X ± .5
	.XX ± .30
angles	0° ± 2°

1

2

3

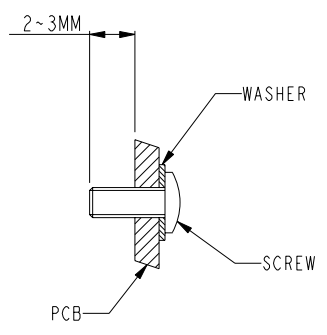
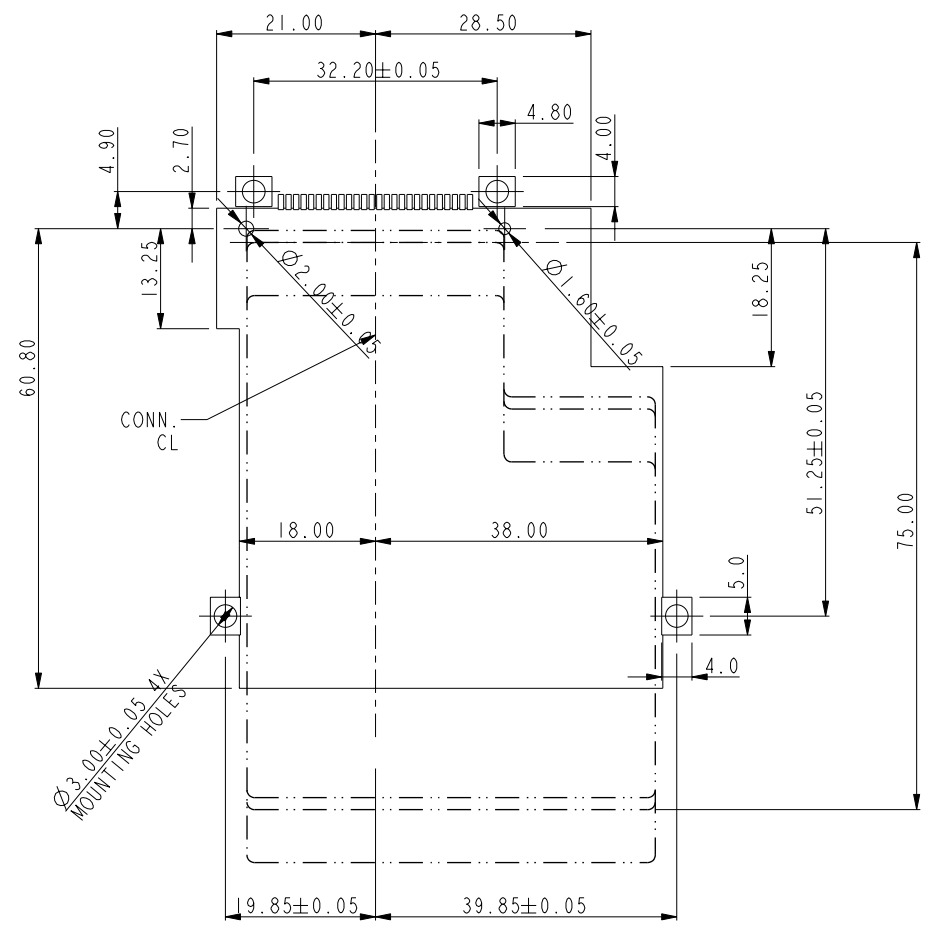
4

PART NO.	MOUNTING	STAND-OFF	HOST CONN P/N	PRODUCT SPEC.	PACKING SPEC.	NOTE
10053827-00A	ABOVE	0MM	10053826-X00AXXLF	GS-12-301	GS-14-295	LEAD FREE
10053827-00ALF	ABOVE	0MM	10053826-X00AXXLF	GS-12-301	GS-14-295	LEAD FREE

Tous droits strictement reserves. Reproduction ou communication a des tiers interdite sous quelque forme que ce soit sans autorisation ecrite du proprietaire. Propriete de c fci. Droits de reproduction FCI.



All rights strictly reserved. Reproduction or issue to third parties in any form whatever is not permitted without written authority from the proprietor. Property of FCI. Copyright FCI.



NO MOUNTING PART AREA

- NOTE:
1. 4 M2*0.4P SCREWS WITH WASHER ARE REQUIRED.
 2. SHOW DIMENSION AFTER FASTENED TO PCB.
 3. SEE HOST CONNECTOR DRAWINGS FOR PCB LAYOUT DETAIL.
 4. RECOMMENDED TIGHTING TORQUE 1.6~1.8 KGF-CM.
 5. SEE DETAIL 2 FOR RECOMMENDED SCREW LENGTH.

title	TOP MOUNT, CARD PUSH EXPRESSCARD HOST MECH.	dwg no	10053827	Rev.	B
catalog no	10053827	CUSTOMER	sheet 2 of 2		

A
B
C
D