



Figure similar

Selector switch, 16 mm, round, plastic, green, 3 switch positions I>O<II, momentary contact type, Retraction from left and right, Actuating angle 2 x 50 degree

<b>product brand name</b>	SIRIUS
<b>product designation</b>	Selector switches
<b>design of the product</b>	Single device round
<b>product type designation</b>	3SB2
<b>Enclosure</b>	
<b>number of command points</b>	1
<b>Actuator</b>	
<b>design of the actuating element</b>	selector switch
<b>principle of operation of the actuating element</b>	momentary contact type
<b>product extension optional light source</b>	No
<b>color of the actuating element</b>	green
<b>material of the actuating element</b>	plastic
<b>outer diameter of the actuating element</b>	19 mm
<b>type of unlocking device</b>	without
<b>number of switching positions</b>	3
<b>actuating angle</b>	
• clockwise	50°
• anticlockwise	50°
<b>Front ring</b>	
<b>product component front ring</b>	Yes
<b>design of the front ring</b>	Standard
<b>material of the front ring</b>	plastic
<b>color of the front ring</b>	black
<b>Holder</b>	
<b>material of the holder</b>	Plastic
<b>General technical data</b>	
<b>product function</b>	
• EMERGENCY OFF function	No
• EMERGENCY STOP function	No
<b>protection class IP</b>	IP65
<b>vibration resistance according to IEC 60068-2-6</b>	20 ... 200 Hz: 5g
<b>operating frequency maximum</b>	1 000 1/h
<b>mechanical service life (operating cycles) typical</b>	300 000
<b>reference code according to IEC 81346-2</b>	S
<b>Substance Prohibition (Date)</b>	07/01/2006
<b>Net Weight</b>	0.008 kg
<b>Connections/ Terminals</b>	
<b>tightening torque of the screws in the bracket maximum</b>	0.4 N·m

## Ambient conditions

<b>ambient temperature</b>	
• during operation	-25 ... +70 °C
• during storage	-40 ... +80 °C
environmental category during operation according to IEC 60721	3K6

## Installation/ mounting/ dimensions

<b>fastening method</b>	front plate mounting
<b>shape of the installation opening</b>	round
<b>mounting diameter</b>	16 mm
<b>mounting height</b>	17 mm
<b>installation width</b>	19 mm
<b>installation depth</b>	50 mm

## Approvals Certificates

Environment	General Product Approval	Test Certificates
-------------	--------------------------	-------------------

[Environmental Con-  
firmations](#)



[Miscellaneous](#)

Test Certificates	other
-------------------	-------

[Special Test Certific-  
ate](#)

[Type Test Certific-  
ates/Test Report](#)



[Confirmation](#)

## Further information

### Information on the packaging

<https://support.industry.siemens.com/cs/ww/en/view/109813875>

### Information for data generation and storage

<https://support.industry.siemens.com/cs/ww/en/view/109995012>

### Information- and Downloadcenter (Catalogs, Brochures,...)

<https://www.siemens.com/ic10>

### Industry Mall (Online ordering system)

<https://mall.industry.siemens.com/mall/en/en/Catalog/product?mlfb=3SB2000-2EE01>

### Cax online generator

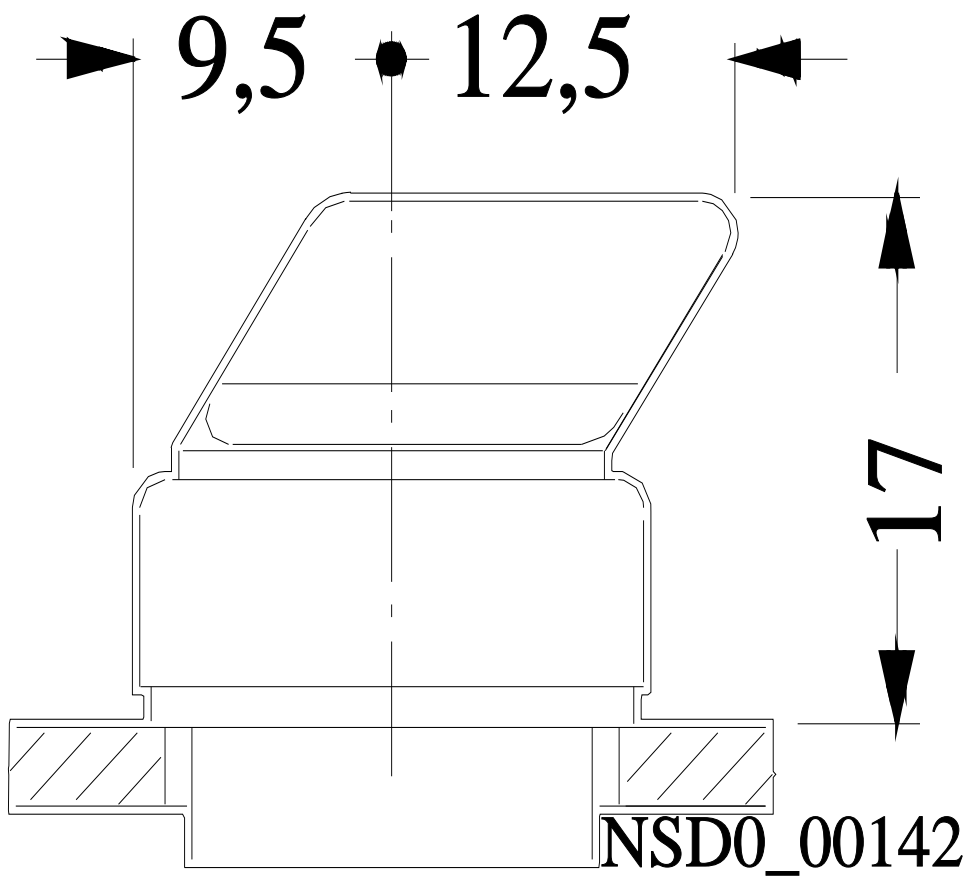
<https://support.automation.siemens.com/WW/CAXorder/default.aspx?lang=en&mlfb=3SB2000-2EE01>

### Service&Support (Manuals, Certificates, Characteristics, FAQs,...)

<https://support.industry.siemens.com/cs/ww/en/ps/3SB2000-2EE01>

### Image database (product images, 2D dimension drawings, 3D models, device circuit diagrams, EPLAN macros, ...)

[https://www.automation.siemens.com/bilddb/cax\\_de.aspx?mlfb=3SB2000-2EE01&lang=en](https://www.automation.siemens.com/bilddb/cax_de.aspx?mlfb=3SB2000-2EE01&lang=en)



last modified:

4/2/2025 