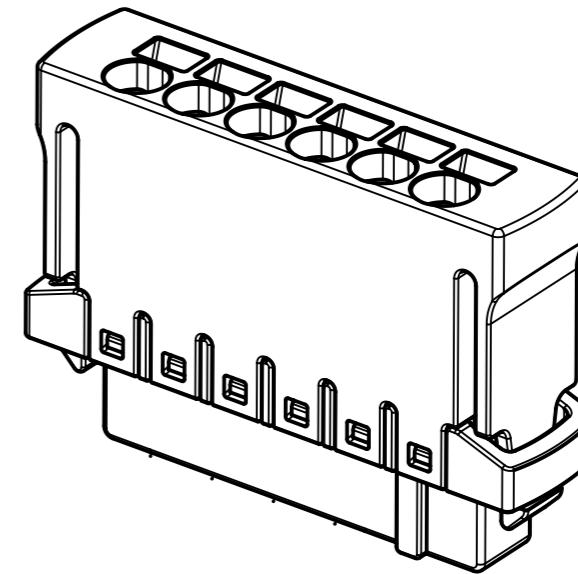
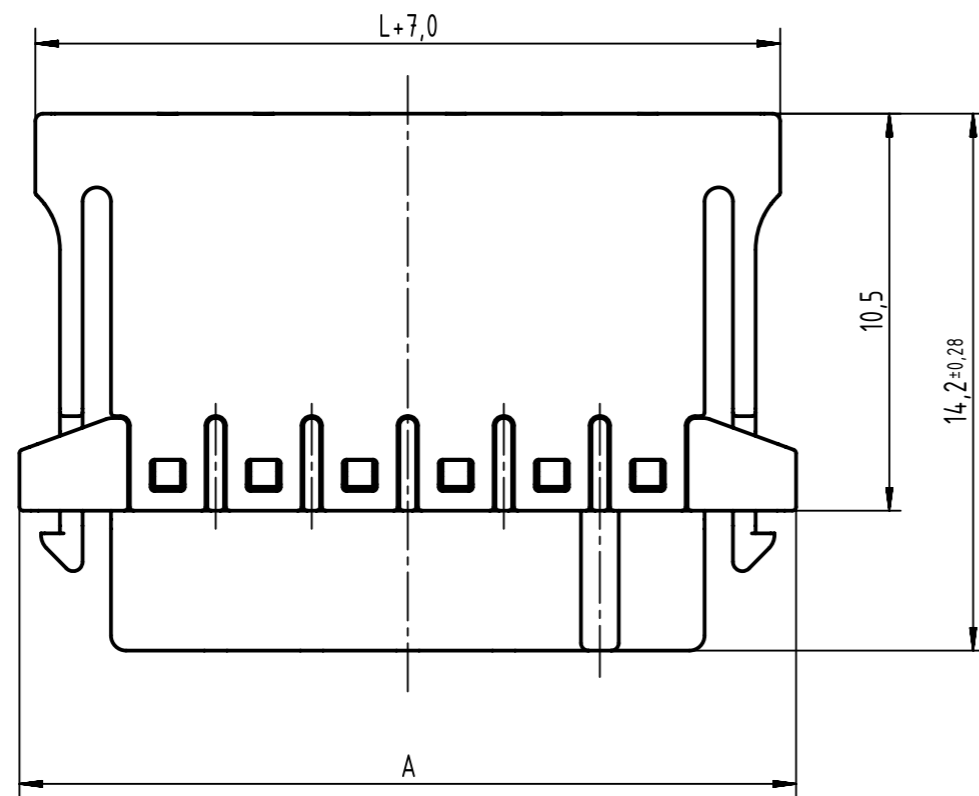
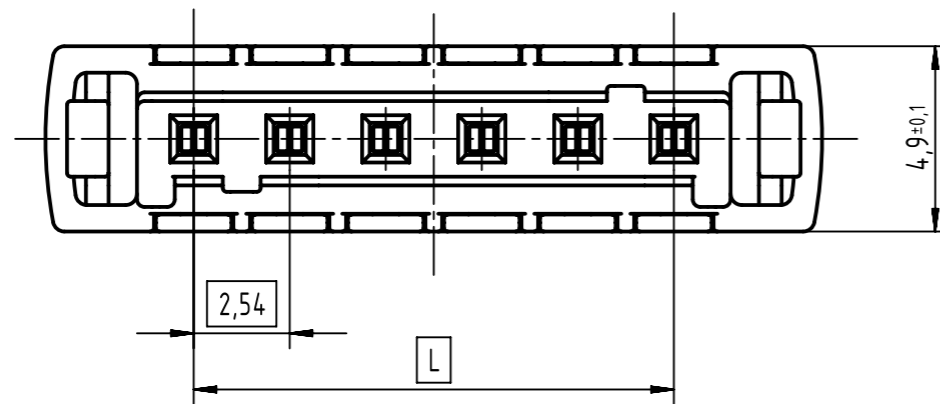


contact-position — 1



further information see: DS 14312102001

| | | | |
|--------------------|----------------|----------------------|-------|
| 12 | 14311213101000 | 27,94 | 35,78 |
| 11 | 14311113101000 | 25,40 | 33,24 |
| 10 | 14311013101000 | 22,86 | 30,70 |
| 9 | 14310913101000 | 20,32 | 28,16 |
| 8 | 14310813101000 | 17,78 | 25,62 |
| 7 | 14310713101000 | 15,24 | 23,08 |
| 6 | 14310613101000 | 12,70 | 20,54 |
| 5 | 14310513101000 | 10,16 | 18,00 |
| 4 | 14310413101000 | 7,62 | 15,46 |
| 3 | 14310313101000 | 5,08 | 12,92 |
| 2 | 14310213101000 | 2,54 | 10,38 |
| number of contacts | part number | L = 2,54 x (pole -1) | A |



All Dimensions in mm
Original Size DIN A3

Scale
5:1

Free size tol.

Ref.

Sub.



All rights reserved

Department EC PD - DE

Created by
HASSE

Inspected by
FRIESENH

Standardisation
KOHLE

Date
2013-10-09

State
Final Release

Title
har-flexicon female-connector

Doc-Key / ECM-Nr.
100230267/UGD/038/B
50000067079

HARTING Electronics GmbH
D-32339 Espelkamp

Type
TB

Number
1431XX13101000

Rev.
B

Page
1/1