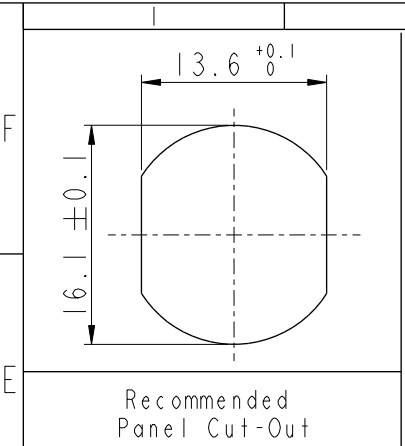
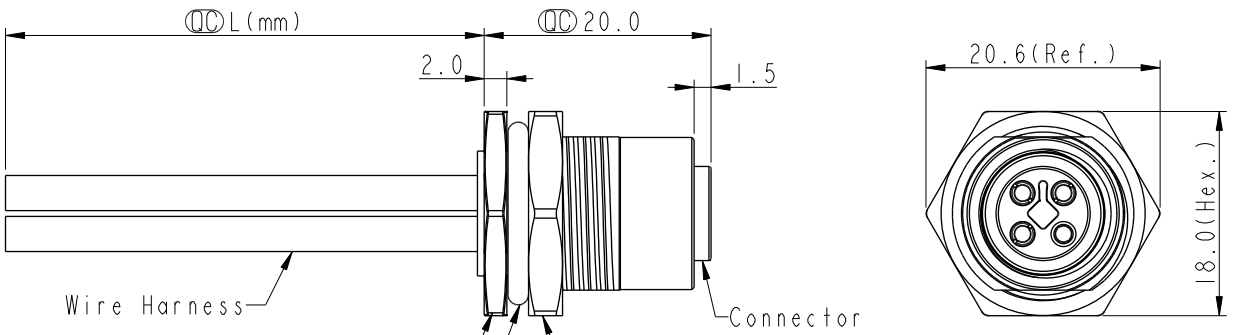
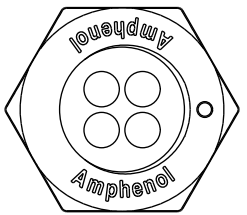


THIS DOCUMENT IS SUBJECT TO CHANGE WITHOUT NOTICE. IT IS CONFIDENTIAL AND A PROPERTY OF Amphenol LTW. DISCLOSURE TO THIRD PARTY HAS TO BE AUTHORIZED BY Amphenol LTW.

REV.	ECN NO.	DATE	SIGN	DESCRIPTION
C	C201549	2020/10/15	Vicky	$\triangle C$ X4
D	C210025	2021/01/20	Vicky	$\triangle D$ X2
E	C210593	2021/04/19	Ruru	$\triangle E$ X3

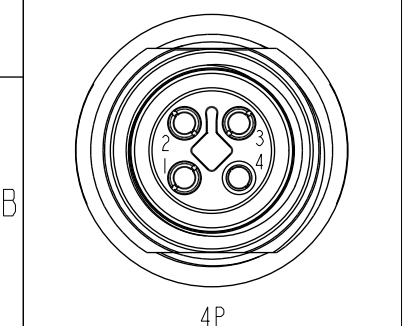


Recommended Panel Cut-Out



4	Black	黑
3	Blue	藍
2	White	白
1	Brown	棕

Pin #	Wire	Pin Out
-------	------	---------



4P

Pin Assignments Front View

$\triangle B \triangle C \triangle E$   
M12T-XXPFFS-SF8CXX  
XX: No. Of Pin

- 10:100mm
- 15:150mm
- 20:200mm
- ∩
- 95:950mm
- Cable Pitch Unit:50mm
- A0:1000mm
- ∩
- A5:1500mm
- Cable Pitch Unit:100mm
- Wire Length(L):150~1500mm

- Note:  $\triangle B \triangle C \triangle D \triangle E$
- \* RoHS Compliant
  - \*  $\text{⌀}$  Important dimension
  - \* Waterproof rate: IPX8, unmated 1m/24h
  - \* Connector
  - Housing: Thermoplastic, Black
  - Pin: Copper alloy, Gold plated
  - O-Ring: Rubber, Green
  - \* Shield: Metal
  - \* Nut: Metal
  - \* O-Ring: Rubber, Black
  - \* Wire harness: UL1015, 16AWG
  - \* For panel thickness max: 4.5mm
  - \* O-Ring and nut are assembled on connectors
  - \* Wire harness tolerance: 100mm: ±10mm
  - 100mm < L ≤ 300mm: ±15mm
  - 300mm < L ≤ 1000mm: ±20mm
  - 1000mm < L ≤ 1500mm: ±50mm

UNIT:mm	
TOLERANCE	
.X	±0.25
.XX	±0.1
.XXX	±0.05
ANGLES	±1°

TITLE N SEN, M12 T, SCREW RECEPTACLE, F, F, SOLDER $\triangle C \triangle E$			
SCALE 2:1	SIZE A4	SHEET 1 OF 1	
REV. E	WC-REV. A.1	$\text{⌀}$ : Inspection item	

**Amphenol LTW**  
安費諾亮泰企業股份有限公司

ITEM NO	DRAWN BY Vicky	DATE 2019-09-19
DWG NO $\triangle C$ M12T-XXPFFS-SF8CXX	CHECKED BY Rita	DATE 2019-09-19
CUSTOMER ALTW	APPROVED BY Max	DATE 2019-09-19