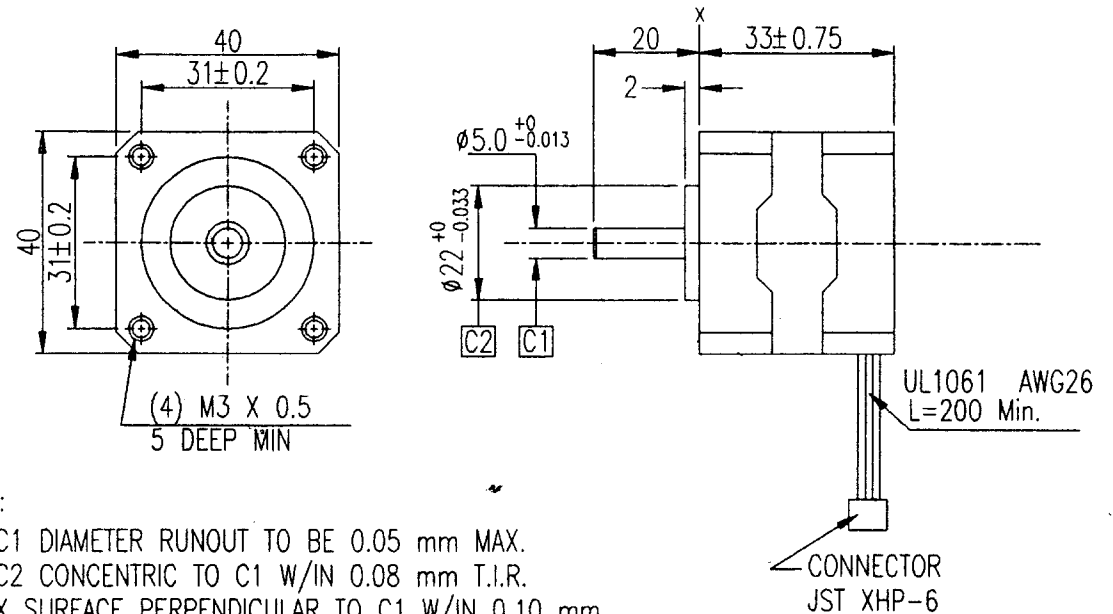


36050D214A

TYPE:4H4018S0608

SPECIFICATION	
RATED VOLTAGE (VM)DC	15
AMPS/PHASE	0.4
RESISTANCE /PHASE Rm (Ohms)	37.5 ±10%
INDUCTANCE/PHASE.mH @1KHz	22 ±20%
STEP ANGLE (DEG)	1.8
STEP ACCURACY (NON-ACCUM)%	±5
HOLDING TORQUE (g-cm)	1000
ROTOR INERTIA (g-cm ²)	17
WEIGHT (g)	200
TEMPERATURE RISE	MAX.80°C
INSULATION RESISTANCE	100M ohm @ 500VDC
DIELECTRICAL STRENGTH	500VAC FOR ONE MINUTE
AMBIENT TEMPERATURE	-10°C ~ +50°C

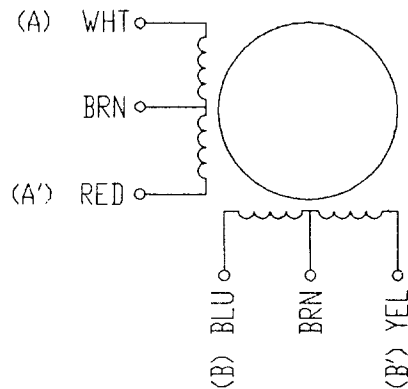
DIMENSION (UNIT : mm)



NOTES:

1. C1 DIAMETER RUNOUT TO BE 0.05 mm MAX.
2. C2 CONCENTRIC TO C1 W/IN 0.08 mm T.I.R.
3. X SURFACE PERPENDICULAR TO C1 W/IN 0.10 mm

WIRING DIAGRAM



FULL STEP 2 PHASE ON, FOR CW
WHEN FACING MOUNTING END (X)

STEP	A	B	A'	B'	COM	CW
1	ON	ON			+DCV	↓
2		ON	ON			
3			ON	ON		
4	ON			ON		

PIN NO.	LEADERS
1	WHT
2	BLU
3	RED
4	YEL
5	BRN
6	BRN



R.S.COMPONENTS

RS 191-8306

SCALE FREE

X ±0.5
1PL ±0.2
2PL ±0.1
ANGLE ±30'

APVD

CHKD

DRN

SIGNATURE

Kc

Chen

DATE

314'95

AUG-03-95

DATE

STEPPING MOTOR

REV	DESCRIPTION	DATE	APVD