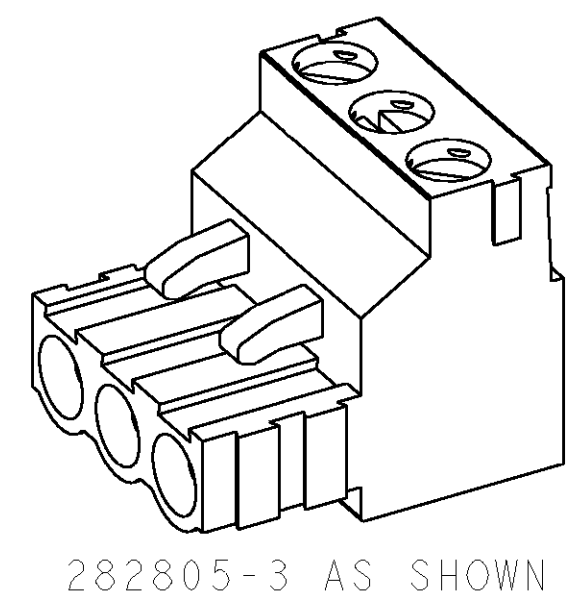
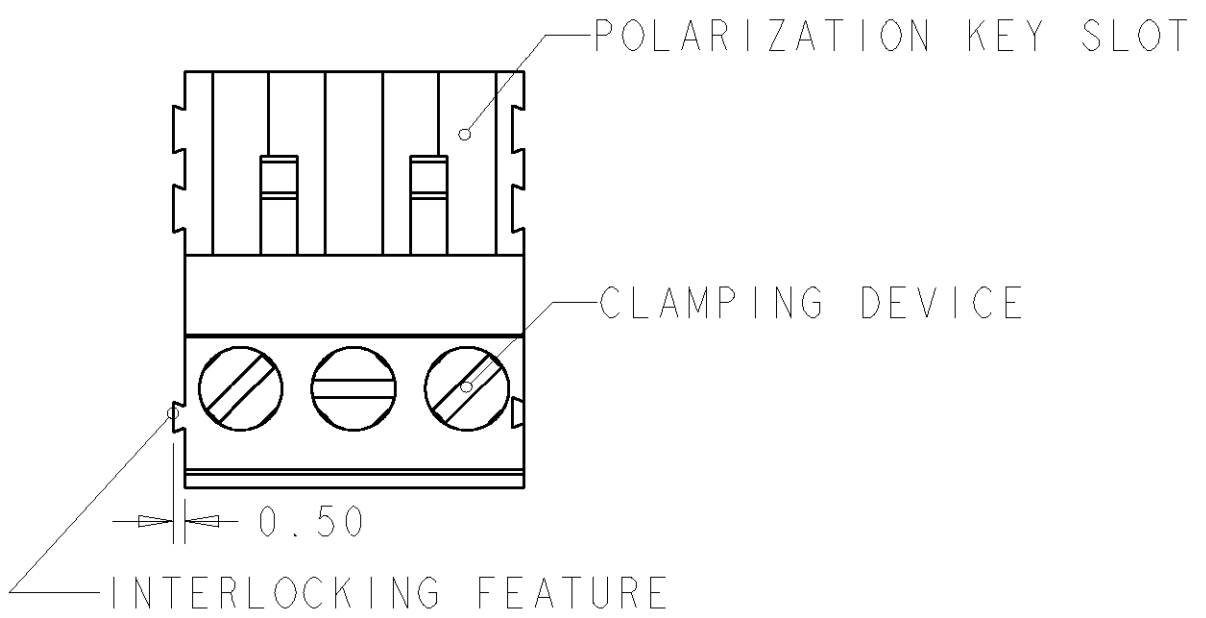
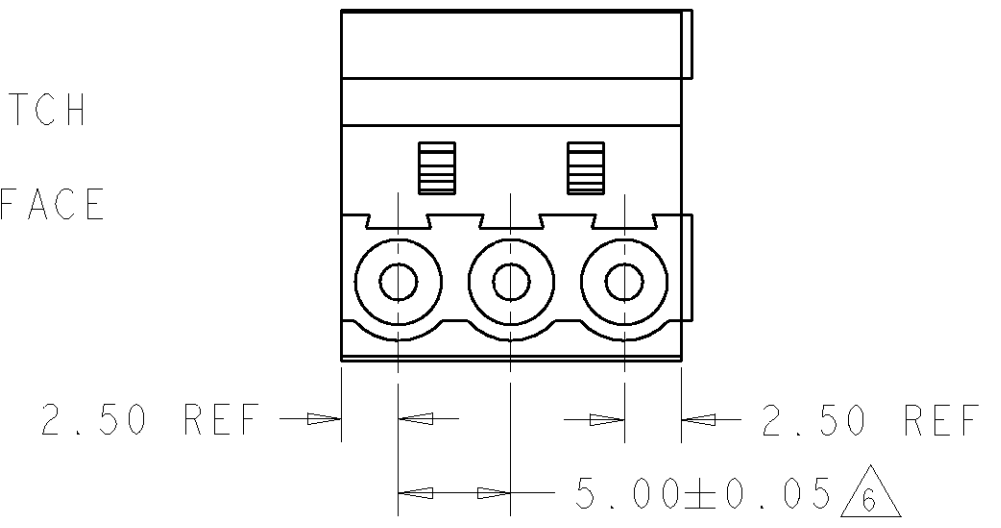
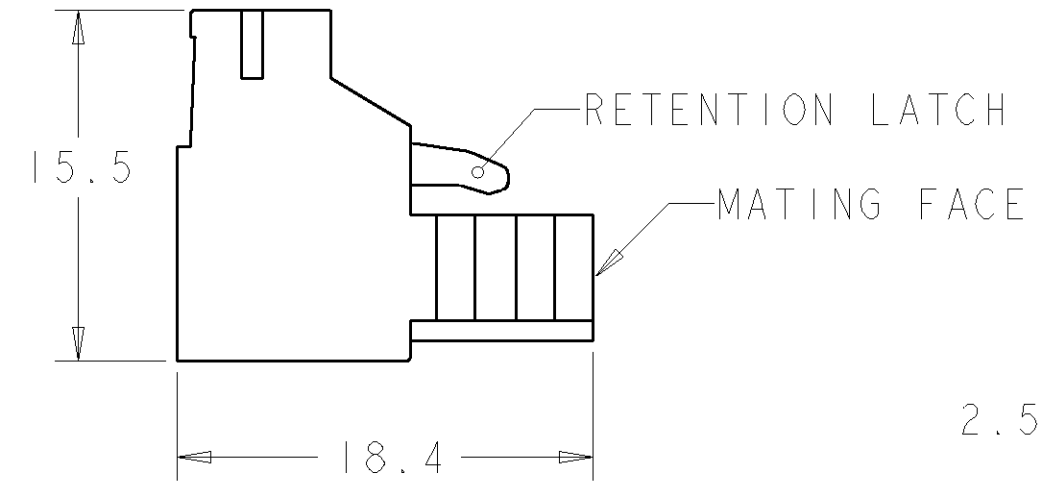
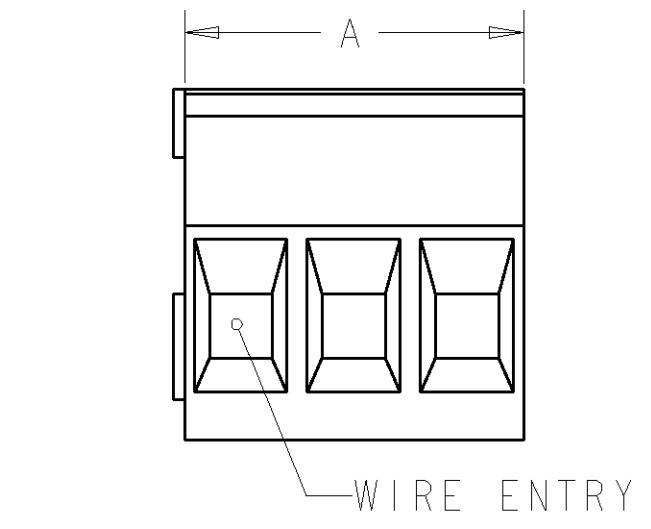


THIS DRAWING IS UNPUBLISHED. RELEASED FOR PUBLICATION 20
 © COPYRIGHT 20 BY TYCO ELECTRONICS CORPORATION. ALL RIGHTS RESERVED.

LOC	DIST	REVISIONS			
P	LTR	DESCRIPTION	DATE	DWN	APVD
FT	0	C	REVISED PER 0G3B-0119-01	27JUL2001	EZ DB



- 1 MATERIALS AND FINISH
 HOUSING: PA 6-6, UL 94-V0, COLOR GREEN.
 CLAMP: BRASS, NICKEL PLATED.
 DOUBLE SIDE CONTACT SPRING: PHOSPHOR BRONZE, TIN PLATED.
 CLAMPING SCREW: M3, BRASS, NICKEL PLATED.
 - 2 END-TO-END STACKABLE W/INTERLOCK WITHOUT LOSS OF CENTERLINE SPACING.
 - 3 WIRE SIZE RANGE
 SOLID WIRE: 0.03-2.5mm² (13AWG).
 STRANDED WIRE: 0.03-1.5mm² (15AWG).
 - 4 RECOGNIZED UNDER THE COMPONENT PROGRAM OF UNDERWRITERS LABORATORIES INC. FILE N° E60677.
 - 5 IQO CERTIFICATE WITH SURVEILLANCE IN CONFORMITY WITH IEC 998-1/998-2-1.
- 6 NOT CUMULATIVE TOLERANCE



20	4	282805-4
15	3	282805-3
10	2	282805-2
DIM. A	N° OF POS.	PART NUMBER

THIS DRAWING IS A CONTROLLED DOCUMENT FOR TYCO ELECTRONICS CORPORATION IT IS SUBJECT TO CHANGE AND THE CONTROLLING ENGINEERING ORGANIZATION SHOULD BE CONTACTED FOR THE LATEST REVISION.

DIMENSIONS:	TOLERANCES UNLESS OTHERWISE SPECIFIED:	DWN	27 JUL 2001	BUCHANAN Tyco Electronics Harrisburg, PA 17105-3608
mm	0 PLC ±-	CHK	27 JUL 2001	
	1 PLC ±.3	APVD	27 JUL 2001	
	2 PLC ±.25	PRODUCT SPEC	108-20166	
	3 PLC ±-	APPLICATION SPEC	114-20079	NAME
	4 PLC ±-	WEIGHT	-	SIZE
	ANGLES ±	CUSTOMER DRAWING		CAGE CODE
	FINISH			DRAWING NO
				RESTRICTED TO
				SCALE
				SHEET
				OF
				REV