



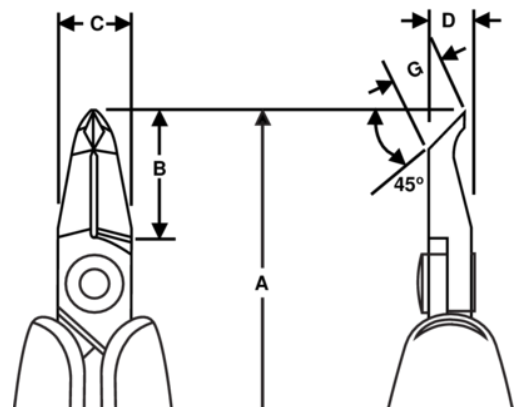
RX 8248

**ERGO™ 45° Long and Relieved Head
Oblique Cutters 0.2 mm-0.8 mm**



PRODUCT DETAILS




- Precision oblique cutters 45° long head developed according to the scientific ERGO™ process
- ERGO™ handles with two-component combination, thermoplastic surface, for comfortable grip, on tough polypropylene core for rigidity
- Flush cut
- The cutting capacity that is given is for copper wire
- Cutting capacity: 0.2 mm to 0.8 mm Cu
- High performance alloyed steel
- Phosphate finish
- Numerically controlled machine grinding guarantees edge angle accuracy and contact, increases the tool's reliability and consistency
- Precision induction-hardened edges 63-65 HRC
- Screw joint minimises friction and maximises alignment of cutting edges
- ESD safe handles in two-component synthetic material
- Bio spring limits the tension throughout the working cycle of the tool and can be adjusted to 3 different positions or removed
- Ideal for rework and close assembly needs



Follow the Fish!



PRODUCT ATTRIBUTES

Product	A	B	C	D	G			
RX 8248	143.0 mm	18 mm	10 mm	6 mm	6.7 mm	0.2-0.8 mm	Flush	72 g

Follow the Fish!

