

Female Socket Transition Connector 4 to 64 Positions

Physical Properties

Insulation Material: Glass filled thermoplastic, rated 94V-0, blue.
 Contact Material: Beryllium copper: 30 μ inches minimum gold over 50 μ inches nickel in contact zone; tin-lead over nickel in termination area.

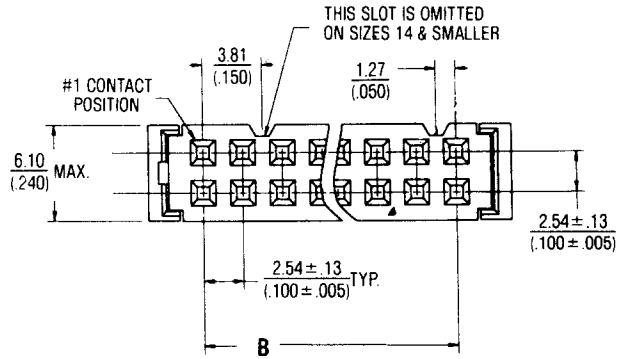
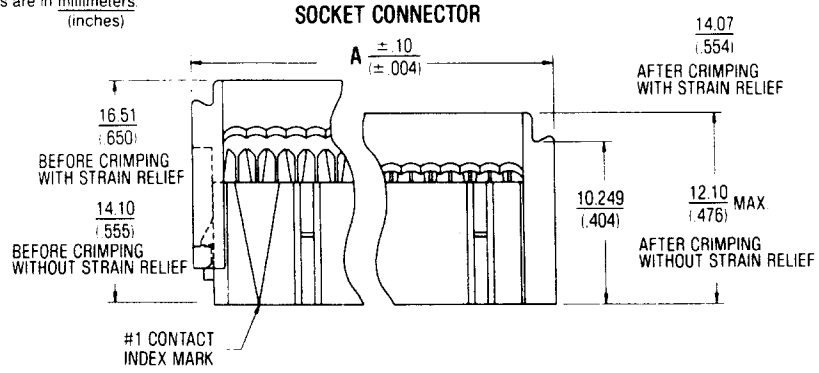
Electrical Properties

Current Rating: 1 Amp
 Insulation Resistance: >1 x 10⁹ Ohms @ 500 VDC
 Dielectric Strength: >1000 VRMS @ sea level

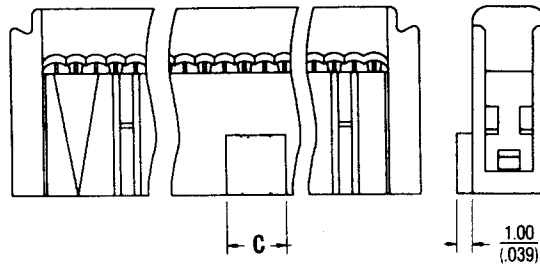
Environmental Properties

Temperature Rating: -55°C to 125°C.

Dimensions shown are for reference only.
 Dimensions are in millimeters
 (inches)



POLARIZED SOCKET CONNECTOR



Stock No.	T&B Part No.	ways	A	B	C
461-174	622-1041	10	17.20 0.677	10.16 0.400	3.2 0.126
461-180	622-1441	14	22.28 0.877	15.24 0.600	3.8 0.150
461-196	622-1641	16	24.82 0.977	17.78 0.700	3.8 0.150
461-203	622-2041	20	29.90 1.177	22.86 0.900	3.8 0.150
461-219	622-2641	26	37.52 1.477	30.48 1.200	3.8 0.150
461-225	622-3441	34	47.68 1.877	40.64 1.600	3.8 0.150
461-231	622-4041	40	55.30 2.177	48.26 1.900	3.8 0.150
461-247	622-5041	50	68.00 2.677	60.95 2.400	3.8 0.150

Dimensions in mm/inches

