



ENGLISH

Datasheet

Temperature Sensor, RS RH831, Interior Room

RS Stock number [312-2945](#)



Product Details

Relative Humidity/Temperature Transmitters

High specification, relative humidity and temperature transmitters for use with building management systems.

User configurable for 4-20mA or 0-10V outputs

Microcontroller reduces measurement errors

Two part terminals for ease of connection

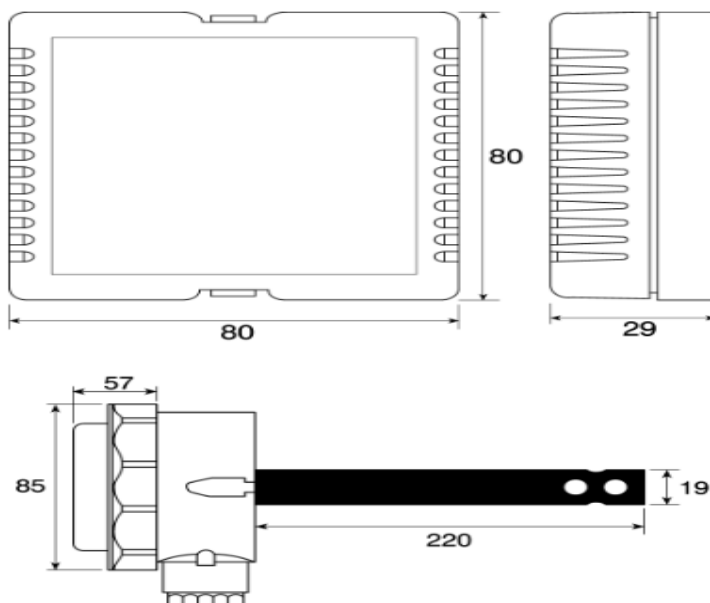
Polycarbonate housings

IP67 units have non-hygroscopic Delrin probes

Output: Internal wall, 0 to +40°C; IP67, -20 to +50°C

Measurement range 10 to 90% RH

RS, Professionally Approved Products, gives you professional quality parts across all product categories. Our range has been testified by engineers as giving comparable quality to that of the leading brands without paying a premium price.



Fan Controllers