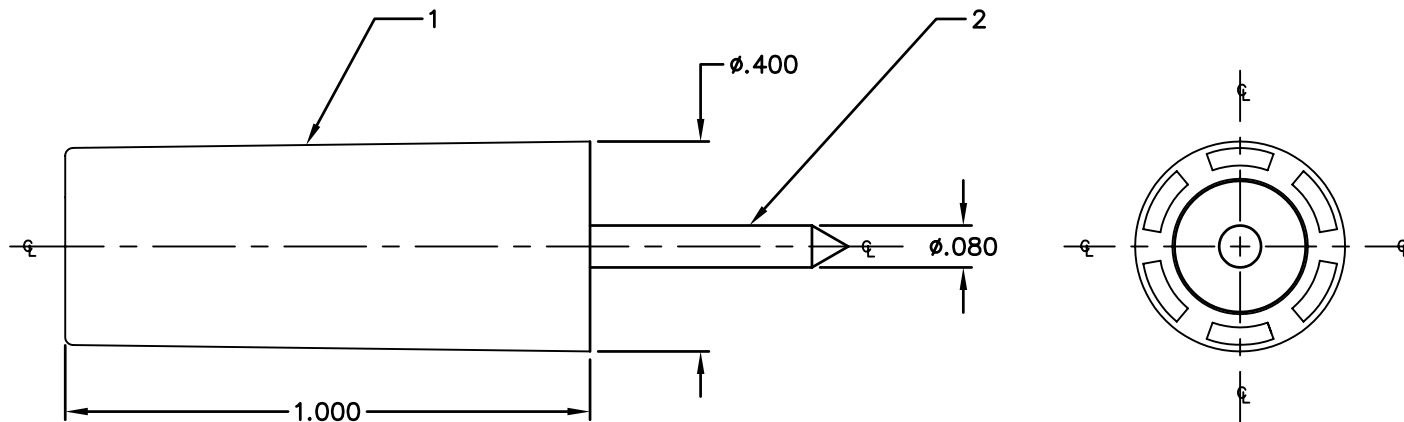


BILL OF MATERIALS				
DET.	QTY.	DESCRIPTION	MATERIAL	PLATING
1	1	HANDLE	NYLON	-
2	2	BODY	BRASS	NICKEL

REVISIONS				
SYM	DESCRIPTION	REVISED BY	DATE	APPR
A	REDRAWN IN CAD FROM NO REV	TPL	3/16/06	TPL

PART#	COLOR
203-101	WHITE
203-102	RED
203-103	BLACK
203-104	GREEN
203-105	BLUE
203-107	YELLOW



THIS DRAWING AND THE INFORMATION THEREIN IS THE PROPERTY OF ABBATRON, LLC AND ALL UNAUTHORIZED USE OR REPRODUCTION THEREOF IS PROHIBITED.

MATERIAL:	SEE BOM	FINISH:	SEE BOM	HEAT TREAT:	---
DIMENSIONAL TOLERANCES UNLESS OTHERWISE SPECIFIED			TITLE: 203		
.XX	.XXX	.XXX	TIP PLUG		
---	---	---	INSULATED/ SOLDER		
FRACTIONS	ANGLES	SCALE	DRAWN: T. LORD DATE: 3/16/06		
---	---	4:1	CHECKED: T. LORD DATE: 3/16/06		
SURFACE FINISH			APPROVED: T. LORD DATE: 3/16/06		
125					

ABBATRON

Electronic Connectors and Hardware
632 Arch Street, Meadville, Pa. 16335

SIZE	DRAWING NUMBER	ISSUE
A	SD: 203	A