

Sealed Top and Rear Domed or Convex Lens

## Key Characteristics

### Functional

- 8mm mounting
- 60° or 100° viewing angle

### Resilient

- IP68 sealed
- Glass and metal construction
- -40 to 85°C operating temp
- -55 to 100°C storage temp

### Adaptable

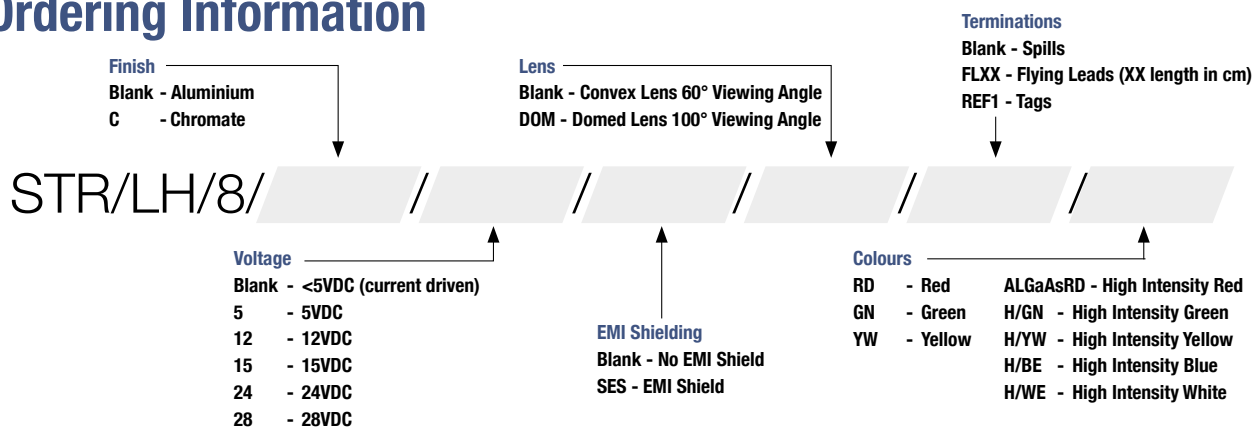
- Full colour range with lens options
- Voltage and current options
- Customer specials on request



## Specifications

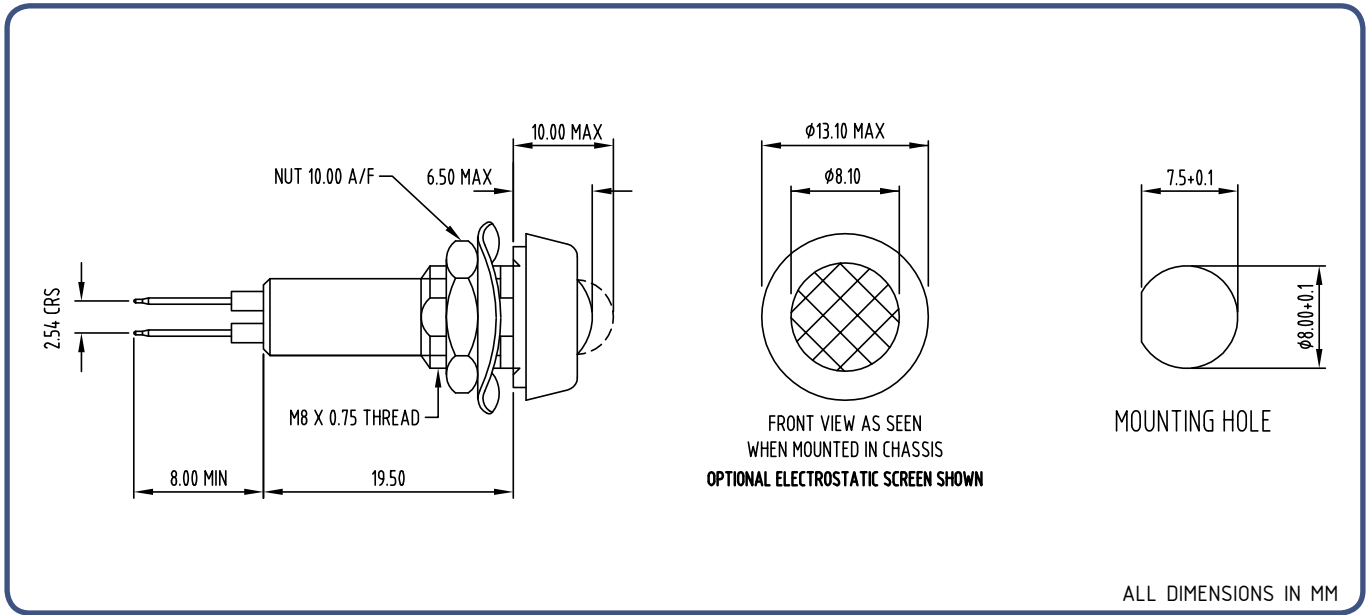
COLOURS									
Luminous Intensity	mcd	White	Red	Yellow	Green	Blue	Voltage		Current (mA)
							Forward	Reverse	
STD	30	x	x	✓	x	x	5,12,15,24,28	5,12,15,24,28	15
	38	x	✓	x	✓	x	5,12,15,24,28	5,12,15,24,28	15
	40	x	x	✓	x	x	2.2	5	20
	50	x	✓	x	✓	x	2.2	5	20
High Intensity	750	✓	x	✓	x	x	5,12,15,24,28	5,12,15,24,28	15
	900	x	✓	x	x	✓	5,12,15,24,28	5,12,15,24,28	15
	940	x	x	x	✓	x	5,12,15,24,28	5,12,15,24,28	15
	1000	x	x	✓	x	x	2.2	5	20
	1000	✓	x	x	x	x	3.6	5	20
	1200	x	x	x	x	✓	3.6	5	20
	1200	x	✓	x	x	x	1.9	5	20
1250	x	x	x	x	✓	x	3.6	5	20

## Ordering Information



Example: STR/LH/8/RD - Aluminium Alloy Finish, Current Driven, No Emi Shield, Convex Lens, Spill terminations, Red

Example: STR/LH/8/5/SES/DOM/FL20/H/GN Aluminium Alloy Finish, 5 VDC, EMI Shielding, Domed Lens, Flying Leads of 20cm and High Intensity Green



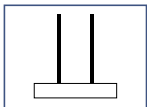
## Technical Information

Terminations	Copper Alloy, Silver Plated
Shroud	Aluminium Alloy, Matt Black Anodised
Lens	Glass
Body and Nut	Aluminium Alloy
Washer	BeCu Tin Plated
Sealing Ring	PTFE
Chassis Thickness	3mm (0.118") max
Mounting Hole	8mm + 0.1
Recommended Mounting Torque	1Nm (0.74lb.ft)
Mean Time Before Failure	90,000 hours

## Termination Options



Flying Leads

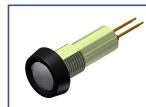


Spills

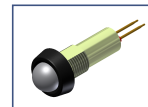


Tags

## Lens Options



Convex



Dome

Distributed by

