

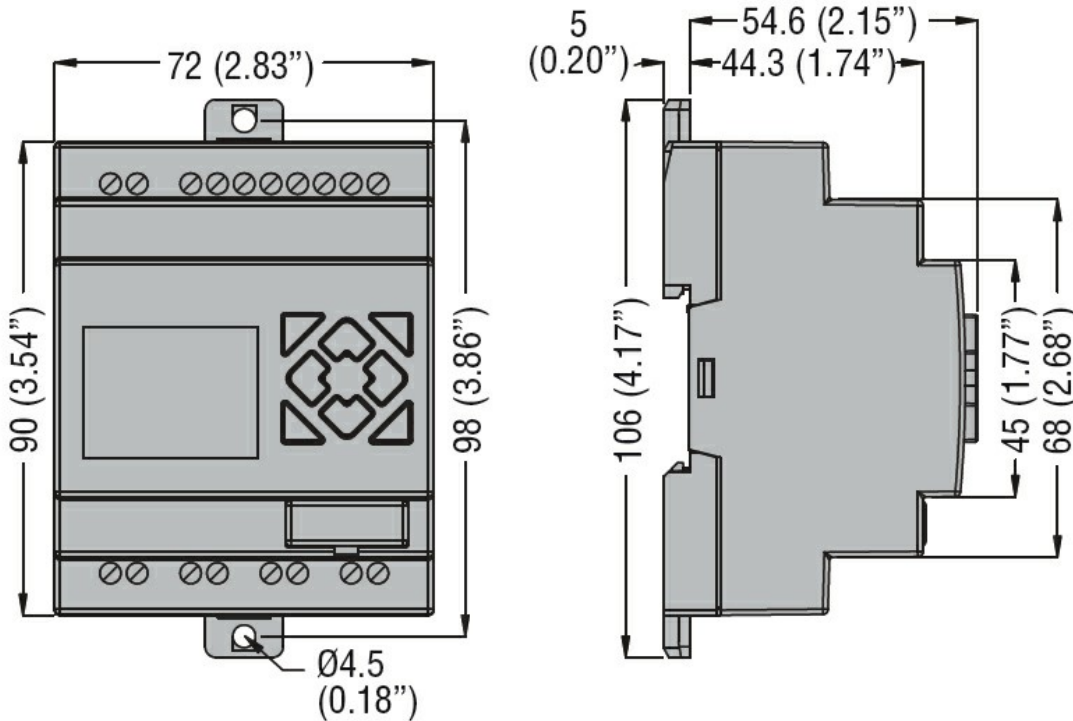


Power supply			
Rated auxil. supply voltage			100...240VAC
Operating voltage range			85...265VAC
Rated frequency	Hz		50/60
Operating frequency range	Hz		47...63
Average current consumption	mA		90
Digital inputs			
Number of digital input	Nr.		6
Rated voltage	V		100-240VAC (50/60Hz)
Input signals		State 0 (OFF) State 1 (ON)	<40VAC >79VAC
Response time		0 to 1 (OFF-ON) 1 to 0 (ON-OFF)	50/45ms (Ue=120VAC); 22/18ms (Ue=240VAC) 50/45ms (Ue= 120VAC); 90/85ms (Ue= 240VAC)
Digital outputs			
Number of digital output	Nr.		4
type			Relay
System resources			
Display			LCD display, 4 lines x 16 characters
Real Time Clock			Yes
Communications			
Type of communication port			Ethernet
Connections			
Terminals type			Screw
Tightening torque for terminals		max Nm	0.8
Conductor section	AWG/Kcmil	min	26
		max	14
	IEC	min mm ²	0.14
		max mm ²	2.5
Ambient conditions			
Temperature	Operating temperature		

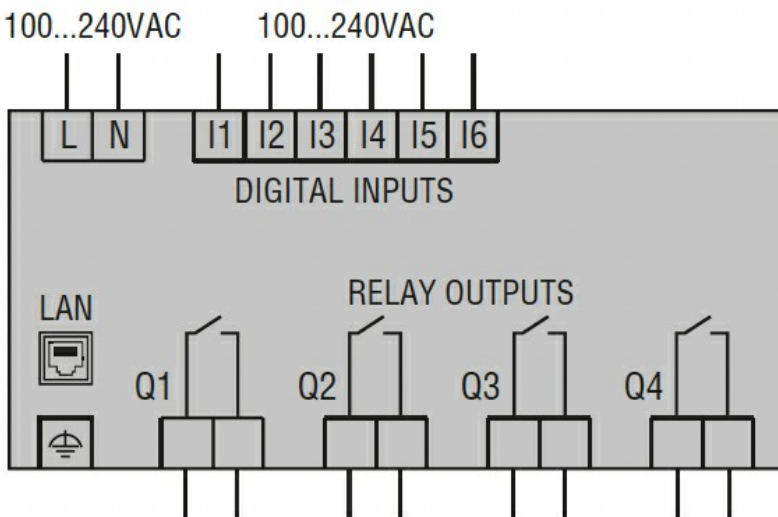
	min	°C	-20
	max	°C	50
Storage temperature			
	min	°C	-40
	max	°C	+70
Relative humidity			% 20...90% without condensation

Housing			
Mounting	35mm DIN rail or screw fixing (M4x20mm)		
Degree of protection	IP20		
Dimensions (W x H x D)	mm	72 x 106 x 59.6	
Weight	g	240	

Dimensions



Wiring diagrams



Certifications and compliance

Compliance IEC/EN/BS 61131-2

ETIM classification

ETIM 8.0 EC001417 - Logic module