

# Process displays

For standard signals

With 2 limits

## PA220



PA220 - Process display

### Technical data - electrical ratings

Voltage supply	21...53 VAC (50/60 Hz) or 10.5...70 VDC 85...265 VAC (50/60 Hz) or 100...300 VDC
Power consumption	6 VA, 5 W
Sensor supply	24 VDC $\pm$ 25 % / max. 30 mA
Display	LED, 7-segment display (programmable display intensity in 4 levels, with 60 unit stickers for front)
Number of digits	4-digits
Digit height	10 mm
Display range	-1999...9999 ("OuE" to signal overflow)
Display refresh	200 ms
Function	Digital display of 1 analog measured value. With Min/Max memory and tare function
A/D transformer	Principle $\Sigma\Delta$ Resolution 16 bit Measuring rate 25/s Measuring accuracy $\pm$ (0.1 % +3-digit) Temp. coeffic. 100 ppm/ $^{\circ}$ C
Analog input	Current or voltage input
Programmable parameters	Measuring range Display range can be linearised Decimal point Display intensity Display stabilization filter Relay outputs with time delay or hysteresis
Limits	2
Data memory	>10 years in EEPROM
Outputs relay	Normally open or closed, programmable SET 1, SET 2

### Features

- Current / voltage input  $\pm$ 20 mA,  $\pm$ 10 V,  $\pm$ 60 VDC
- Voltage input  $\pm$ 100 mVDC for measurements by  
external current shunt (precision resistor)
- Programmable characteristic curve with 16 control  
points
- Display stabilization filter
- Two limit outputs SET 1 : SET 2
- Min, Max, Tare functions
- Sensor supply 24 VDC
- Interface RS485
- LED display, 4 digits and programmable
- DIN housing 48 x 24 mm

### Technical data - electrical ratings

Interface	RS485
Standard DIN EN 61010-1	Protection class II Overvoltage category II Pollution degree 2
Emitted interference	DIN EN 61000-6-3
Interference immunity	DIN EN 61000-6-2

### Technical data - mechanical design

Ambient temperature	-10...+60 $^{\circ}$ C
Storage temperature	-25...+85 $^{\circ}$ C
Relative humidity	95 % non-condensing
Connection	Spring-loaded terminal connector, detachable
Core cross-section	1 mm <sup>2</sup> (Grid 2.54) 2.5 mm <sup>2</sup> (Grid 7.62)
Protection DIN EN 60529	IP 65 (face)
Operation / keypad	3 softkeys below bezel
Housing type	Built-in housing
Dimensions W x H x L	48 x 24 x 136 mm
Cutout dimensions	45 x 22.2 mm (+0.3)
Mounting depth	125 mm
Mounting type	Front panel installation by clip frame
Weight approx.	100 g
Material	Housing: Polycarbonate, UL 94V-0

# Process displays

For standard signals

With 2 limits

PA220

## Part number

PA220. 

	1		AX01
--	---	--	------

Voltage supply	
4	85...265 VAC and 100...300 VDC
5	21...53 VAC and 10.5...70 VDC
Interface	
0	Without interface
1	RS485

## Inputs and outputs

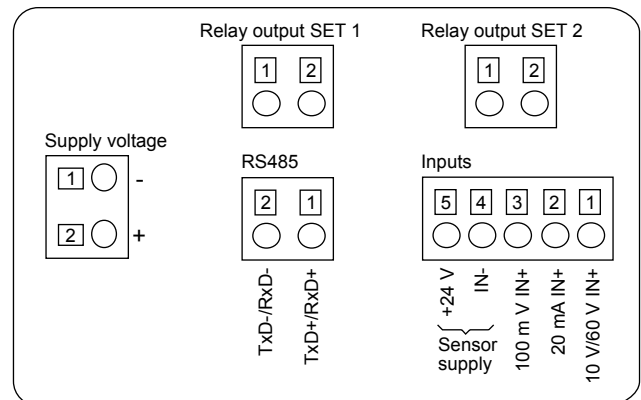
### Analog input

Sensing range	Resolution	Input resistance
±10 V	1 mV	1 MΩ
±60 V	10 mV	1 MΩ
±100 mV	0.1 mV	100 MΩ
±20 mA	1 μA	12 Ω

### Relay outputs (SET 1, SET 2)

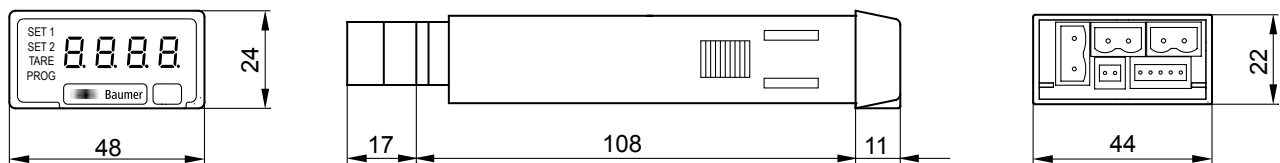
Switching voltage max.	250 VAC / 110 VDC
Switching current max.	1 A
Switching performance max.	150 VA / 30 W

## Connection diagram



## Dimensions

### PA220 - without clip frame



### PA220 - clip frame mounting

