



Robustness and staying power **The qualities of a champion.**

NEW! GBM 10 RE Drill

Built to perform, built to last – the Bosch GBM 10 RE's qualities are simply undisputed. Its full ball-bearing construction gives it a Best-in-Class lifetime – more than double its closest rival.

For professionals from professionals.



BOSCH

Invented for life



All in One : Compact, Powerful and Robust

Best-in-class key features and benefits



In line design



Great balance for all applications



Fits well in one hand for in line use

Specifications

Rotary drill	Units	GBM10 RE Professional
Rated power input	watts	450
No-load speed	rpm	0-2600
Spindle collar diameter	mm	43
Right/left rotation		•
Chuck type		Keyed
Max. drilling diameter		
Steel	mm	10
Wood	mm	25
Aluminum	mm	10
Chuck clamping range	mm	1-10
Weight according to EPTA – Procedure	kg	1.25
Part number		0 601 573 5...

Standard equipment

Chuck key (1pc)

Robert Bosch (SEA) Pte Ltd (992206-H)

Malaysia

No. 8A, Jalan 13/6, 46200 Petaling Jaya, Selangor, Malaysia.
Tel: (603) 7966 3000 Fax: (603) 7958 3838



Singapore

38C, Jalan Pemimpin, Singapore 577180.
Tel: (65) 6258 5511 Fax: (65) 6350 5315



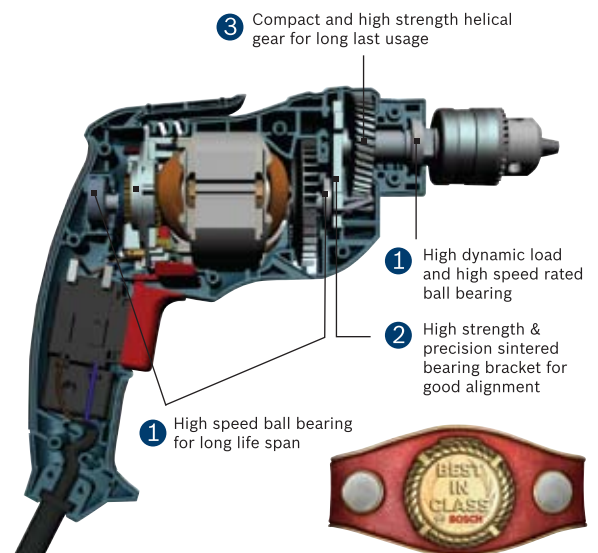
Best-in-class specifications that speak for themselves

With its ultra compact size (length 210mm), powerful motor (450W) and robust construction, Bosch GBM10RE offers an unbeatable experience to the users. This compact yet powerful drill delivers truly outstanding results job after job on steel, aluminum and wood.

Best-in-class lifetime

The following design elements ensure that the tools offers highest value to the users.

- 1 All ball bearing construction
- 2 High strength & precision sintered bearing bracket
- 3 High strength helical gear



Double life time

