

1

2

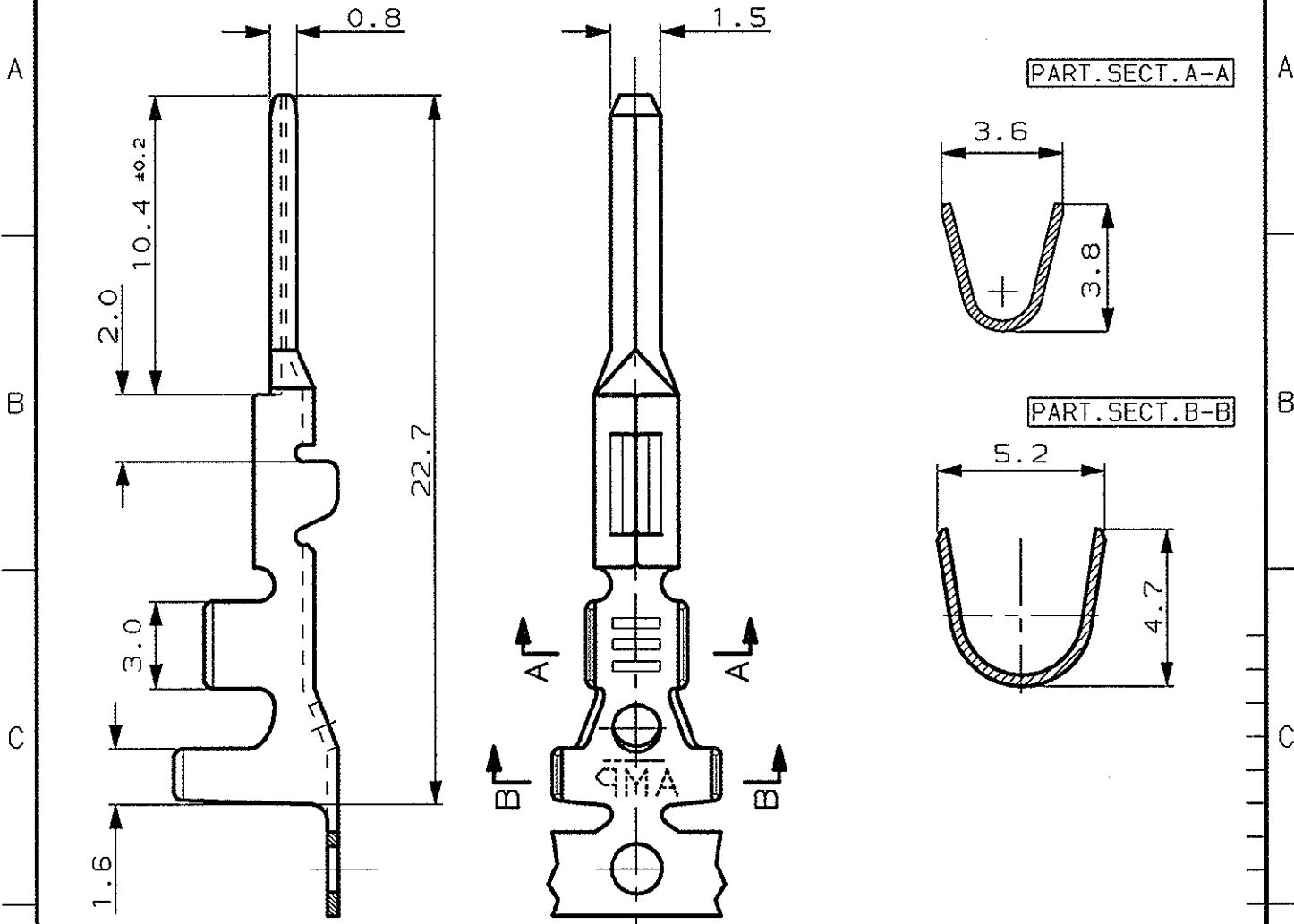
3

4

SCALA NON IMPEGNATIVA
(DO NOT SCALE)
DIMENSIONI IN
(DIMENSIONS IN) mm

METRIC

PROIEZIONE EUROPEA
(EUROPEAN PROJECTION)



PITCH 11.9

- 1) SUITABLE FOR SINGLE WIRE SEAL 281934-...
- 2) MAX. CURRENT CAPACITY : 14A

PRE-TINNED		BRASS	282465-1
FINITURA / COLORE (FINISH / COLOUR)		MATERIALE (MATERIAL)	NUMERO (PART NUMBER)
CUSTOMER DWG. FOR REFERENCE ONLY		DISEGNO PER CLIENTE SOLO PER RIFERIMENTO	
THIS DRAWING IS UNPUBLISHED		RELEASE FOR PUBLICATION 1990	
© COPYRIGHT 1990 BY AMP INCORPORATED, HARRISBURG, PA. ALL INTERNATIONAL RIGHT RESERVED. AMP PRODUCTS MAY BE COVERED BY U.S. AND FOREIGN PATENT AND/OR PATENT PENDING			
TOLLERANZE, SE NON DIVERSAMENTE SPECIFICATO (TOLERANCES, UNLESS OTHERWISE SPECIFIED)		DIAM. ISOLANTE (INS. DIA. RANGE)	RANGO FILO (WIRE RANGE)
± 0.3		AMP	1.5-2.5mm ²
ANGOLI (ANGLES)		SCALA (SCALE)	
± 2°		5:1	
DIS. (DR.)		DESCRIZIONE (DESCRIPTION)	
12 DEC. 92		MINI MIC SRS TAB CONTACT	
BERTINI		LOC. SIZE NUMERO (DWG NO)	
A. BRUNI		I A4 C-282465	
CONT. (CHK)		REV.	
12 DEC. 92		A1	
APP. (APP.)		FOGLIO (SHEET)	
DIS. DATA (DR) (DATE)		DI (OF)	
22-04 2004		1	
22-06 '93		1	

DISTRIBUZIONE
(PRINT DIST.)