



### General characteristics

Diameter	mm - inch	50 / 1.97
Supply voltage (DC)	V	12...24
IEC degree of protection		IP65
Power consumption	VA	1

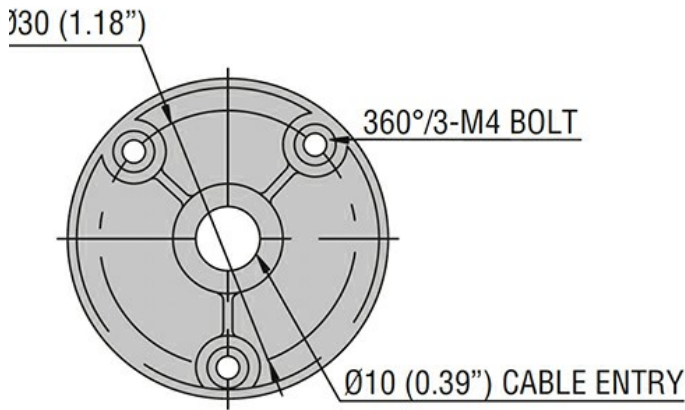
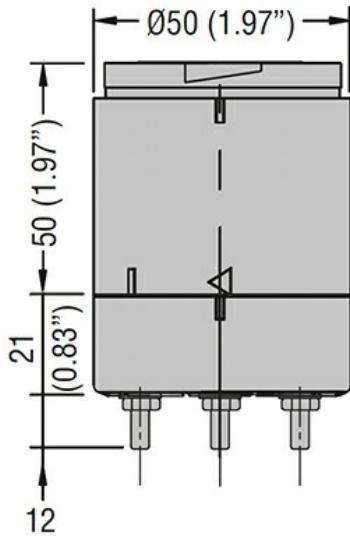
### Mechanical features

Terminals screw		Spring terminals
Conductor section		
	AWG/Kcmil	
		min 16
		max 24
	IEC	
		min mm <sup>2</sup> 0.25
		max mm <sup>2</sup> 1.5
Weight		g 136

### Ambient conditions

Temperature			
	Operating temperature		
		min °C	-30
		max °C	+50

### Dimensions



### Certifications and compliance

#### Compliance

CSA C22.2 n° 14  
 IEC/EN/BS 60947-1  
 IEC/EN/BS 60947-5-1  
 UL508

#### Certificates

cULus

### ETIM classification

ETIM 8.0

EC001154 -  
 Stand for signal  
 tower without  
 tube