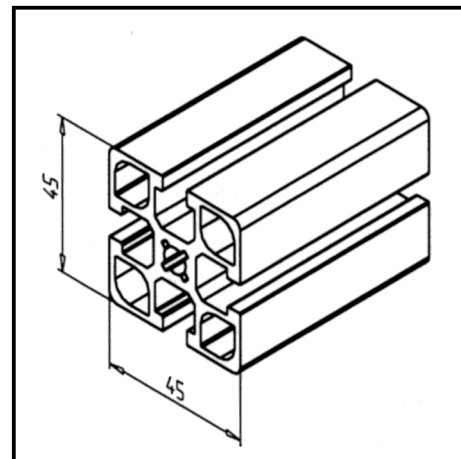
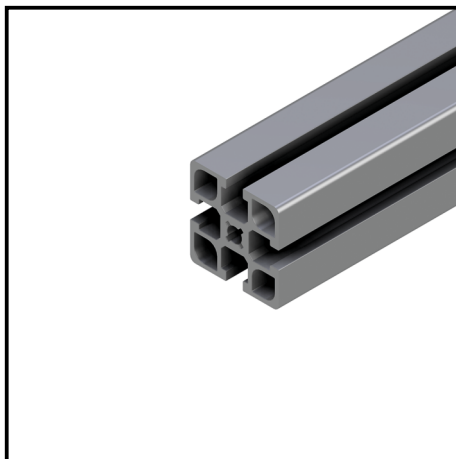


PROFILE 45 X 45 F

Article Nr. 20.1033/0

[See the product on the website](#) →

[Download CAD Files](#) →



TECHN. DATA / ITEMS SUPPLIED

- Aluminium, extruded, anodized E6/EV1
- $I_x = 14.172 \text{ cm}^4$
- $I_y = 14.172 \text{ cm}^4$
- $w_x = 6.298 \text{ cm}^3$
- $w_y = 6.298 \text{ cm}^3$
- $IT = 13.376 \text{ cm}^4$
- Weight = 2.005 kg/m
- Packing unit = 36 m

APPLICATIONS

- All kinds of constructions

ASSEMBLY

- MiniTec power-lock fastener
- Angle 19 / 25 / 45 / 45 x 90 GD-Z
- Bolt connector
- Screw connection