

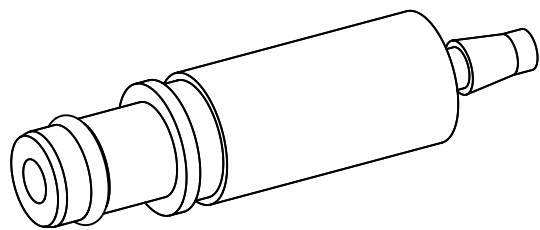
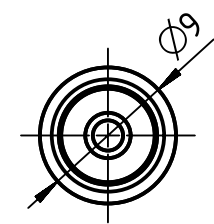
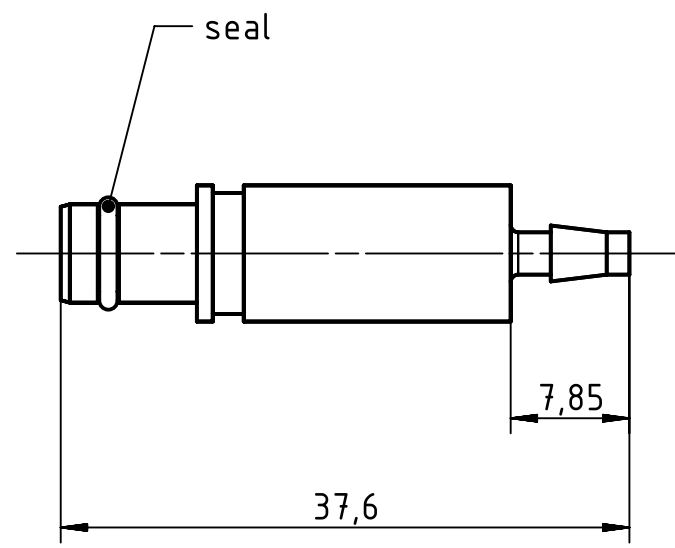
1 2 3 4 5 6


A

B

C

D



	All Dimensions in mm Original Size DIN A4		Scale 2:1	Free size tol.		Ref.
	All rights reserved Department EL PD		Created by MOELLERLI	Inspected by BEISCHER	Standardisation RUETERA	Sub.
HARTING Electric GmbH & Co. KG D-32339 Espelkamp		Title Pneum. contact metal ID 3 male			Date 2018-05-16	State Final Release
		Type TB	Number 09 14 000 6303		Doc-Key / ECM-Nr. 100654488/UGD/001/D 500000133860	Rev. D Page 1/1