

RCD-24

Step-down DC LED DRIVER

RECOM
LIGHTING

RATED POWER

40W max.

FEATURES

- Wide Input and Output Voltage
- Analogue and Digital (PWM) Dimming down to 0%
- Pinned or Wired Versions
- Vref Version for Resistor Dimming
- 5 Year Warranty



CERTIFICATION	INPUT	DIMMING	PROTECTION	MODEL	CC OUTPUT ✓
CE ✓	115VAC ✗	Analogue ✓	Over-Voltage ✗	RCD-24-0.30	300mA
UL ✓	230VAC ✗	PWM ✓	Short-Circuit ✓	RCD-24-0.35	350mA
EN ✓	277VAC ✗	Resistor (Vref version) ✓	Over-Load ✓	RCD-24-0.50	500mA
EMC ✗	DC ✓		Over-Temp. ✓	RCD-24-0.60	600mA
				RCD-24-0.70	700mA
				RCD-24-1.00	1000mA
				RCD-24-1.20	1200mA

MECHANICAL CHARACTERISTICS

Size	22.1 x 12.55 x 8.5mm		
IP Rating	Pins Wired	IP60 IP67	
Connection	Pins (no Suffix) (/Vref)	eg. RCD-24-xxx eg. RCD-24-xxx/Vref	
	Wires (/W Suffix) (/Vref)	eg. RCD-24-xxx/W/X3 eg. RCD-24-xxx/W/Vref	

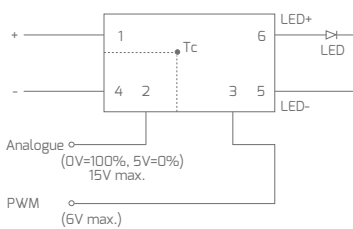
[/Vref not available for 1.00 and 1.20 Versions]

TEMPERATURE CHARACTERISTICS

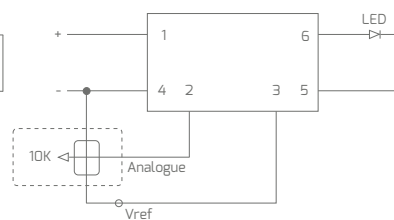
Operating Temperature	300, 350mA	-40°C to +85°C
	500mA	-40°C to +80°C
	600mA	-40°C to +75°C
	700, 1000mA	-40°C to +71°C
	1200mA	-40°C to +65°C
Case Temperature (Tc)	100°C max.	

INSTALLATION

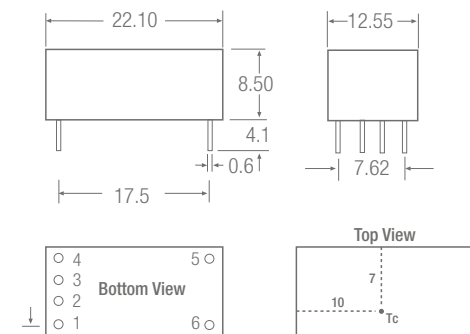
Pinned Version



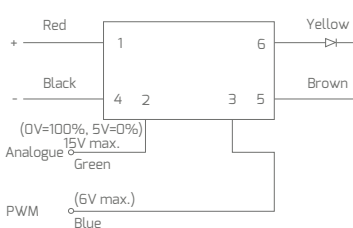
Pinned Version/Vref



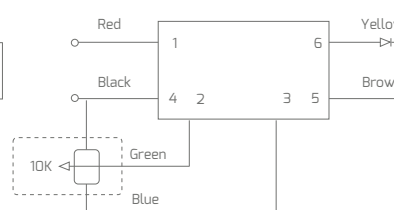
Pinned Version



Wired Version



Wired Version/Vref



Wired Version

