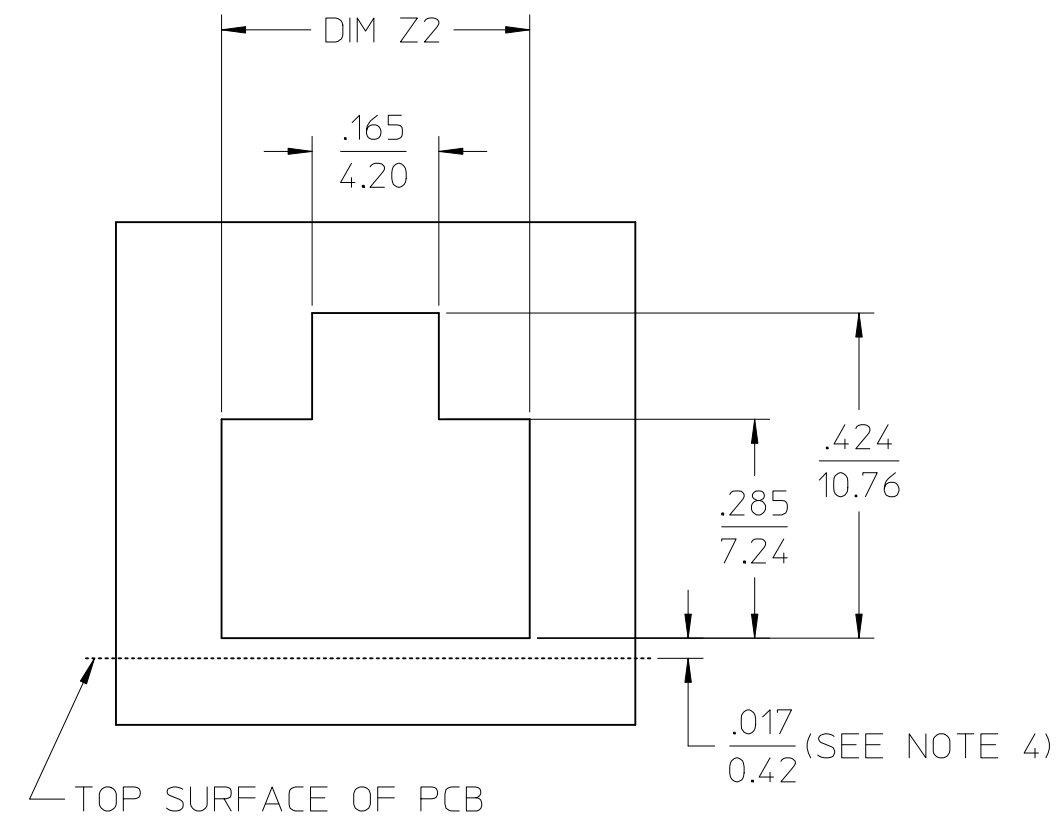
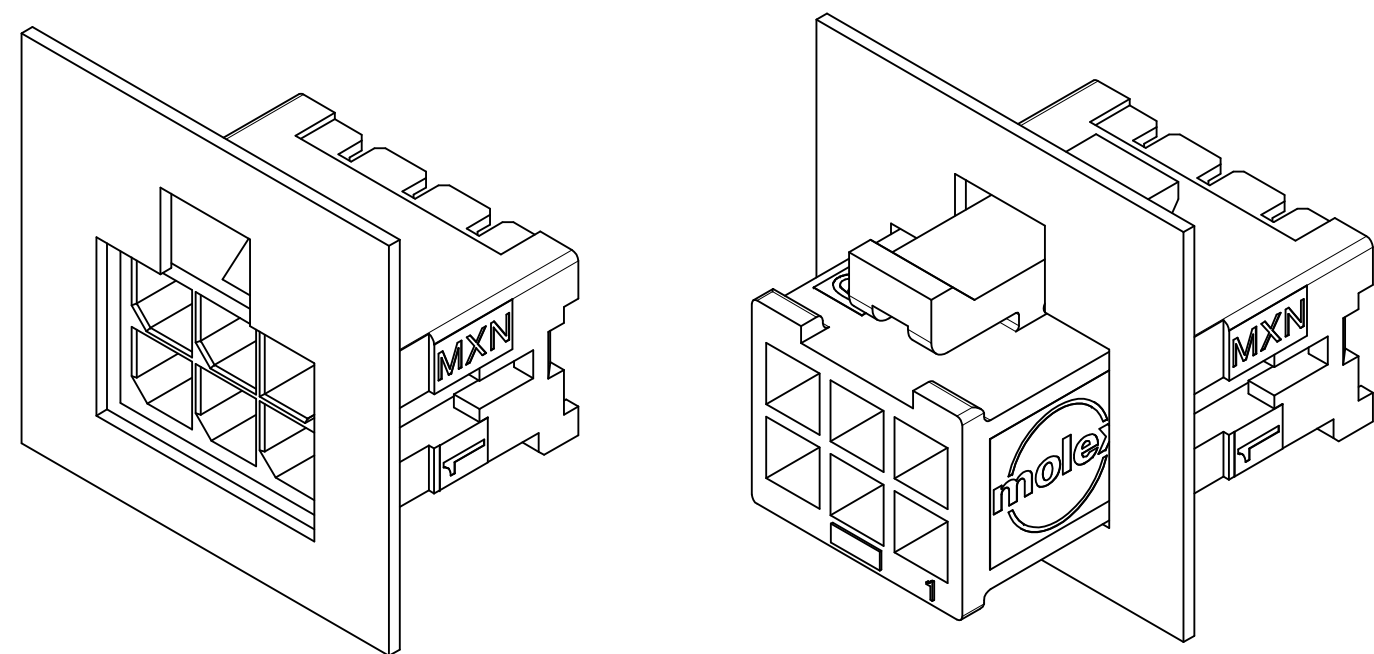
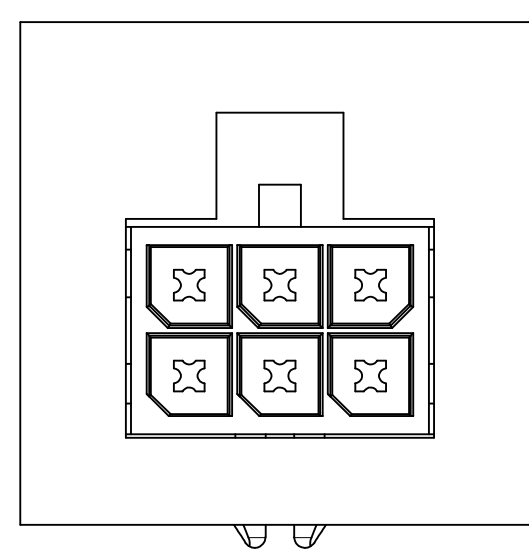


SCENARIO A



SCENARIO B

CKT SIZE	DIM Z1	DIM Z2
2	0.291 / 7.40	0.165 / 4.20
4	0.409 / 10.40	0.283 / 7.20
6	0.528 / 13.40	0.402 / 10.20
8	0.626 / 15.90	0.520 / 13.20
10	0.744 / 18.90	0.638 / 16.20
12	0.862 / 21.90	0.756 / 19.20
14	0.980 / 24.90	0.874 / 22.20
16	1.098 / 27.90	0.992 / 25.20
18	1.217 / 30.90	1.110 / 28.20
20	1.335 / 33.90	1.228 / 31.20
22	1.453 / 36.90	1.346 / 34.20
24	1.571 / 39.90	1.465 / 37.20

- NOTES:
1. SCENARIO A IS FOR THE 43045 HEADER PROTRUDING THROUGH THE PANEL.
 2. SCENARIO B IS FOR THE 43045 HEADER NOT EXTENDING AT ALL INTO THE PANEL.
 3. DIMENSIONS SHOWN FOR THE CUT-OUTS ARE MINIMUMS ALLOWABLE TO ACCOUNT FOR PART TOLERANCES.
 4. CUT-OUT DIMENSIONS WILL NEED TO BE INCREASED TO ACCOUNT FOR POSITIONAL TOLERANCE OF PCB RELATIVE TO PANEL, IN BOTH VERTICAL AND HORIZONTAL DIRECTIONS.
 5. CUT-OUTS ACCOMMODATE THE TRAVEL OF THE 43025 LATCH FOR MATING AND UNMATING.
 6. APPLICABLE TO SERIES 43025 MATING TO 43045.

CREATE DRAWING	QUALITY SYMBOLS
EC NO: UCP2014-4092	▽=0
DRWN: NGUYEN	▽=0
CHKD: SSOUSEK	▽=0
APPR: FSMITH	
2014/04/02	
2014/04/02	
2014/04/21	

GENERAL TOLERANCES (UNLESS SPECIFIED)	
4 PLACES	± ---
3 PLACES	± ---
2 PLACES	± ---
1 PLACE	± ---
0 PLACE	± ---
ANGULAR ±1/2°	
DRAFT WHERE APPLICABLE MUST REMAIN WITHIN DIMENSIONS	

DIMENSION STYLE	
IN/MM	
DRAWN BY	DATE
NNGUYEN	2014/04/02
CHECKED BY	DATE
SSOUSEK	2014/04/02
APPROVED BY	DATE
FSMITH	2014/04/21
MATERIAL NO.	
N/A	

SCALE 5:1

DESIGN UNITS METRIC

THIRD ANGLE PROJECTION

TITLE: MICROFIT 3.0 DUAL ROW RIGHT ANGLE PANEL CUT-OUT ACCESS

molex

DOCUMENT NO. AS-43045-001

SHEET NO. 1 OF 1

THIS DRAWING CONTAINS INFORMATION THAT IS PROPRIETARY TO MOLEX INCORPORATED AND SHOULD NOT BE USED WITHOUT WRITTEN PERMISSION