

# TLP2405

## 1. Applications

- High-Speed Digital Interfacing for Instrumentation and Control Devices
- Communications Equipment
- Intelligent Power Module Signal Isolation

## 2. General

The Toshiba TLP2405 consists of a GaAs infrared light-emitting diode coupled with a high-gain, high-speed photo detector. It is housed in the 8-pin SO8 package.

The detector has a totem-pole output stage with current sourcing and sinking capabilities.

The TLP2405 has an internal Faraday shield that provides a guaranteed common-mode transient immunity of  $\pm 15$  kV/ $\mu$ s.

The TLP2405 a logic buffer output. An inverter output version, the TLP2408, is also available.

## 3. Features

- (1) Buffer logic type (totem pole output)
- (2) Package: SO8
- (3) Supply voltage: 4.5 to 20 V
- (4) Threshold input voltage, low to high:  $I_{FLH} = 1.6$  mA (max)
- (5) Propagation delay time:  $t_{pHL}/t_{pLH} = 250$  ns (max)
- (6) Common-mode transient immunity:  $\pm 15$  kV/ $\mu$ s (min)
- (7) Operating temperature:  $-40$  to  $100^\circ\text{C}$
- (8) Isolation voltage: 3750 Vrms (min)
- (9) Safety standard

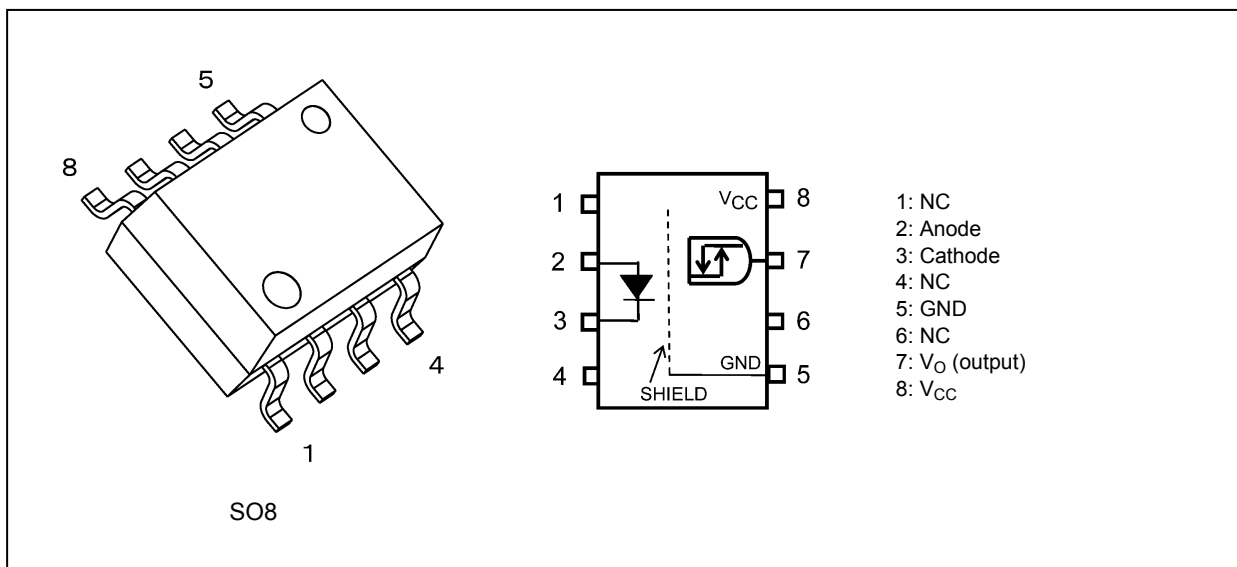
UL-approved: UL1577 File No.E67349

cUL-approved: CSA Component Acceptance Service No.5A, File No.E67349

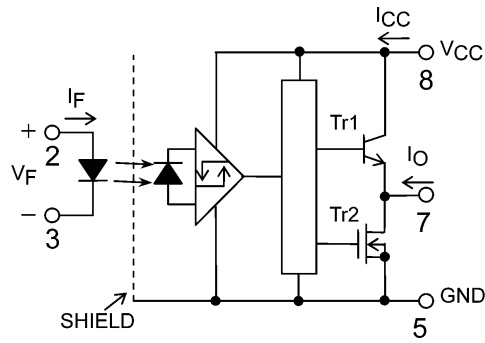
VDE-approved: Option (V4) EN60747-5-2 (**Note**)

Note: When an EN60747-5-2 approved type is needed, please designate the **Option (V4)**.

## 4. Packaging and Pin Configuration



**5. Internal Circuit (Note)**



**Fig. 5.1 Internal Circuit**

Note: A 0.1- $\mu$ F bypass capacitor must be connected between pin 8 and pin 5.

**6. Principle of Operation**

**6.1. Truth Table**

Input	LED	Output
H	ON	H
L	OFF	L

**6.2. Mechanical Parameters**

Characteristics	Min	Unit
Creepage distances	4.0	mm
Clearance	4.0	
Internal isolation thickness	—	

**7. Absolute Maximum Ratings (Note)**

Unless otherwise specified,  $T_a = 25^\circ\text{C}$

	Characteristics	Symbol	Note	Rating	Unit
LED	Forward current ( $T_a \leq 85^\circ\text{C}$ )	$I_F$		25	mA
	Forward current derating ( $T_a \geq 85^\circ\text{C}$ )	$\Delta I_F/^\circ\text{C}$		-0.67	mA/ $^\circ\text{C}$
	Reverse voltage	$V_R$		5	V
	Power dissipation	$P_D$		40	mW
	Power dissipation derating ( $T_a \geq 85^\circ\text{C}$ )	$\Delta P_D/^\circ\text{C}$		-1.0	mW/ $^\circ\text{C}$
Detector	Output current ( $T_a \leq 25^\circ\text{C}$ )	$I_O$		25/-15	mA
	Output current ( $T_a = 100^\circ\text{C}$ )	$I_O$		5/-5	
	Output voltage	$V_O$		-0.5 to 20	V
	Supply voltage	$V_{CC}$		-0.5 to 20	
Common	Operating temperature	$T_{opr}$		-40 to 100	$^\circ\text{C}$
	Storage temperature	$T_{stg}$		-55 to 125	
	Lead soldering temperature (10 s)	$T_{sol}$		260	
	Isolation voltage AC, 1 min, R.H. $\leq 60\%$	$BV_S$	(Note 1)	3750	Vrms

Note: Using continuously under heavy loads (e.g. the application of high temperature/current/voltage and the significant change in temperature, etc.) may cause this product to decrease in the reliability significantly even if the operating conditions (i.e. operating temperature/current/voltage, etc.) are within the absolute maximum ratings.

Please design the appropriate reliability upon reviewing the Toshiba Semiconductor Reliability Handbook ("Handling Precautions"/"Derating Concept and Methods") and individual reliability data (i.e. reliability test report and estimated failure rate, etc).

Note 1: This device is considered as a two-terminal device: Pins 1, 2, 3 and 4 are shorted together, and pins 5, 6, 7 and 8 are shorted together.

**8. Recommended Operating Conditions (Note)**

Characteristics	Symbol	Note	Min	Typ.	Max	Unit
Input on-state current	$I_{F(ON)}$		2	—	10	mA
Input off-state voltage	$V_{F(OFF)}$		0	—	0.8	V
Supply voltage	$V_{CC}$	(Note 1)	4.5	—	20	
Operating temperature	$T_{opr}$		-40	—	100	$^\circ\text{C}$

Note: The recommended operating conditions are given as a design guide necessary to obtain the intended performance of the device. Each parameter is an independent value. When creating a system design using this device, the electrical characteristics specified in this datasheet should also be considered.

Note: A ceramic capacitor (0.1  $\mu\text{F}$ ) should be connected between pin 8 and pin 5 to stabilize the operation of a high-gain linear amplifier. Otherwise, this photocoupler may not switch properly. The bypass capacitor should be placed within 1 cm of each pin.

Note 1: Denotes the operating range, not the recommended operating condition.

**9. Electrical Characteristics (Note)**

Unless otherwise specified,  $T_a = -40$  to  $100^\circ\text{C}$ ,  $V_{CC} = 4.5$  to  $20$  V

Characteristics	Symbol	Note	Test Circuit	Test Condition	Min	Typ.	Max	Unit
Input forward voltage	$V_F$		—	$I_F = 10$ mA, $T_a = 25^\circ\text{C}$	1.40	1.57	1.80	V
Input temperature coefficient of forward voltage	$\Delta V_F/\Delta T_a$		—	$I_F = 10$ mA	—	-1.8	—	mV/ $^\circ\text{C}$
Input reverse current	$I_R$		—	$V_R = 5$ V, $T_a = 25^\circ\text{C}$	—	—	10	$\mu\text{A}$
Input capacitance	$C_T$		—	$V = 0$ V, $f = 1$ MHz	—	60	—	pF
Low-level output voltage	$V_{OL}$		Fig. 12.1.1	$I_O = 3.5$ mA, $V_F = 0.8$ V	—	0.2	0.6	V
High-level output voltage	$V_{OH}$	(Note 2)	Fig. 12.1.2	$V_{CC} = 4.5$ V, $I_O = -2.6$ mA, $I_F = 5$ mA	2.7	3.5	—	V
				$V_{CC} = 20$ V, $I_O = -2.6$ mA, $I_F = 5$ mA	17.4	19	—	
Low-level supply current	$I_{CCL}$		Fig. 12.1.3	$V_{CC} = 5.5$ V, $V_F = 0$ V	—	—	3.0	mA
				$V_{CC} = 20$ V, $V_F = 0$ V	—	—	3.0	
High-level supply current	$I_{CCH}$		Fig. 12.1.4	$V_{CC} = 5.5$ V, $I_F = 5$ mA	—	—	3.0	mA
				$V_{CC} = 20$ V, $I_F = 5$ mA	—	—	3.0	
Low-level short-circuit output current	$I_{OSL}$	(Note 1)	Fig. 12.1.5	$V_{CC} = V_O = 5.5$ V, $V_F = 0$ V	15	80	—	mA
				$V_{CC} = V_O = 20$ V, $V_F = 0$ V	20	90	—	
High-level short-circuit output current	$I_{OSH}$	(Note 1)	Fig. 12.1.6	$V_{CC} = 5.5$ V, $I_F = 5$ mA, $V_O = \text{GND}$	-5	-15	—	mA
				$V_{CC} = 20$ V, $I_F = 5$ mA, $V_O = \text{GND}$	-10	-20	—	
Threshold input current, low to high	$I_{FLH}$		—	$I_O = -2.6$ mA, $V_O > 2.4$ V	—	0.4	1.6	mA
Threshold input voltage, high to low	$V_{FHL}$		—	$I_O = 3.5$ mA, $V_O < 0.6$ V	0.8	—	—	V
Input current hysteresis	$I_{HYS}$		—	$V_{CC} = 5$ V	—	0.05	—	mA

Note: All typical values are at  $T_a = 25^\circ\text{C}$ .

Note 1: Duration of output short circuit time should not exceed 10 ms.

Note 2:  $V_{OH} = V_{CC} - V_O$  (V)

**10. Isolation Characteristics**

Unless otherwise specified,  $T_a = 25^\circ\text{C}$

Characteristics	Symbol	Note	Test Conditions	Min	Typ.	Max	Unit
Capacitance (input to output)	$C_S$	(Note 1)	$V_S = 0$ V, $f = 1$ MHz	—	1.0	—	pF
Isolation resistance	$R_S$		$V_S = 500$ V, R.H. $\leq 60\%$	$1 \times 10^{12}$	$10^{14}$	—	$\Omega$
Isolation voltage	$BV_S$		AC, 1 min	3750	—	—	Vrms
			AC, 1 s in oil	—	10000	—	
			DC, 1 min in oil	—	10000	—	$V_{DC}$

Note 1: This device is considered as a two-terminal device: Pins 1, 2, 3 and 4 are shorted together, and pins 5, 6, 7 and 8 are shorted together.

**11. Switching Characteristics (Note)**

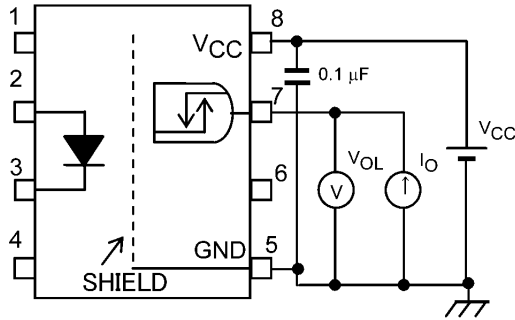
Unless otherwise specified,  $T_a = -40$  to  $100^\circ\text{C}$ ,  $V_{CC} = 4.5$  to  $20$  V

Characteristics	Symbol	Note	Test Circuit	Test Condition	Min	Typ.	Max	Unit
Propagation delay time to logic high output	$t_{pLH}$		Fig. 12.1.7, Fig. 12.1.8	$I_F = 0 \rightarrow 3$ mA	30	90	250	ns
Propagation delay time to logic low output	$t_{pHL}$			$I_F = 3 \rightarrow 0$ mA	30	120	250	
Pulse width distortion	$ t_{pLH} - t_{pHL} $			—	—	—	220	
Rise time	$t_r$			$I_F = 0 \rightarrow 3$ mA, $V_{CC} = 5$ V	—	30	75	
Fall time	$t_f$			$I_F = 3 \rightarrow 0$ mA, $V_{CC} = 5$ V	—	30	75	
Common-mode transient immunity at output high	$CM_H$		Fig. 12.1.9	$V_{CM} = 1000$ V <sub>p-p</sub> , $I_F = 5$ mA, $V_{CC} = 20$ V, $T_a = 25^\circ\text{C}$	-15	—	—	kV/ $\mu\text{s}$
Common-mode transient immunity at output low	$CM_L$			$V_{CM} = 1000$ V <sub>p-p</sub> , $I_F = 0$ mA, $V_{CC} = 20$ V, $T_a = 25^\circ\text{C}$	15	—	—	

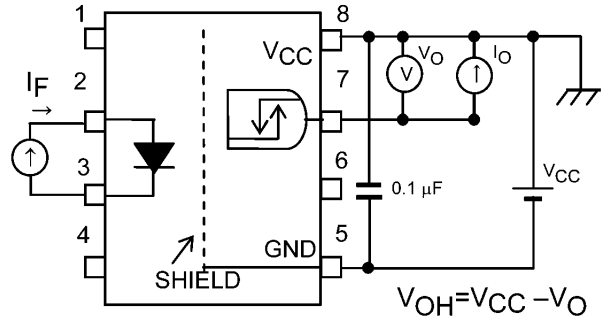
Note: All typical values are at  $T_a = 25^\circ\text{C}$ .

**12. Test Circuits and Characteristics Curves**

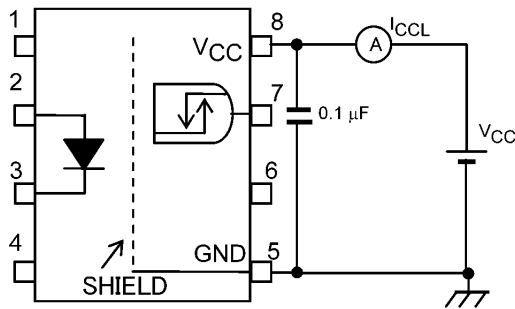
**12.1. Test Circuits**



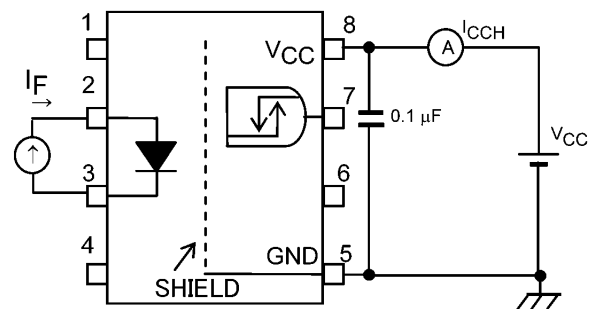
**Fig. 12.1.1 VOL Test Circuit**



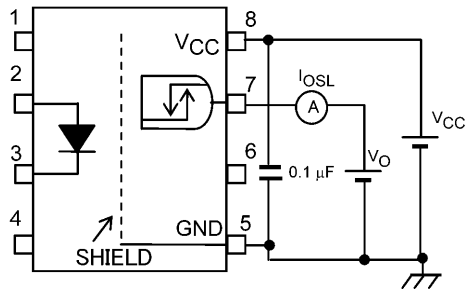
**Fig. 12.1.2 VOH Test Circuit**



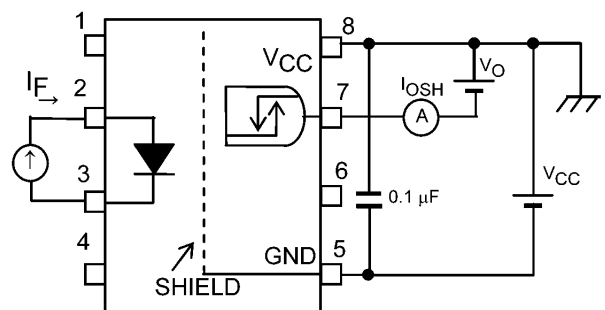
**Fig. 12.1.3 ICCL Test Circuit**



**Fig. 12.1.4 ICCH Test Circuit**



**Fig. 12.1.5 IOSL Test Circuit**



**Fig. 12.1.6 IOSH Test Circuit**

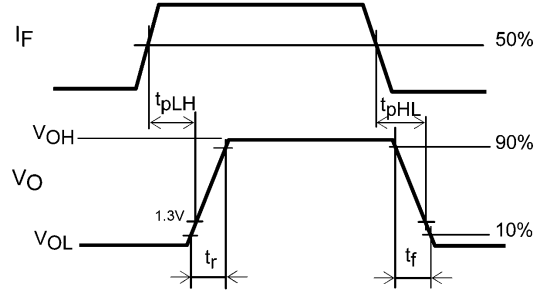
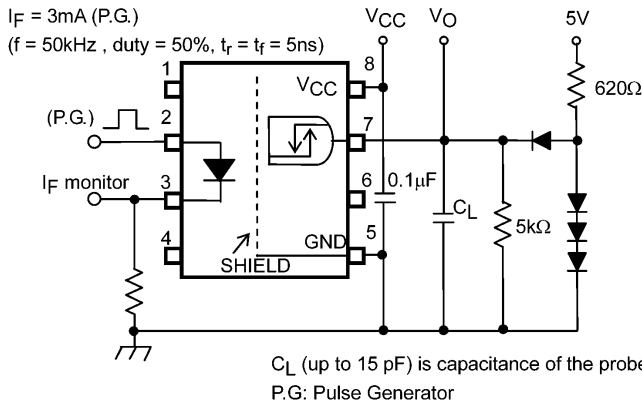


Fig. 12.1.7 Switching Time Test Circuit

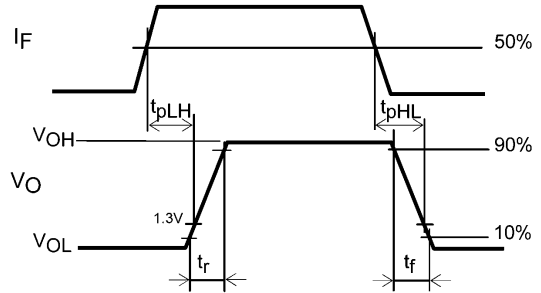
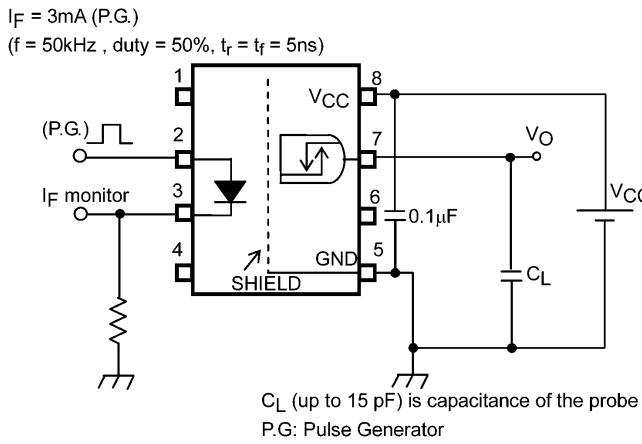


Fig. 12.1.8 Switching Time Test Circuit

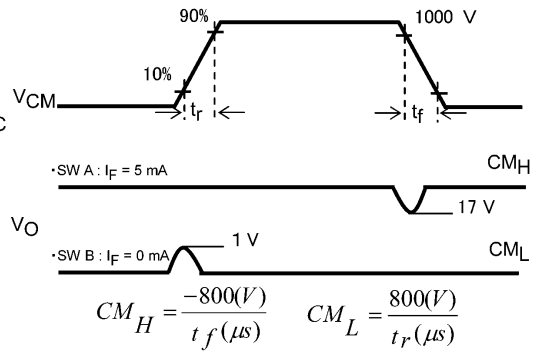
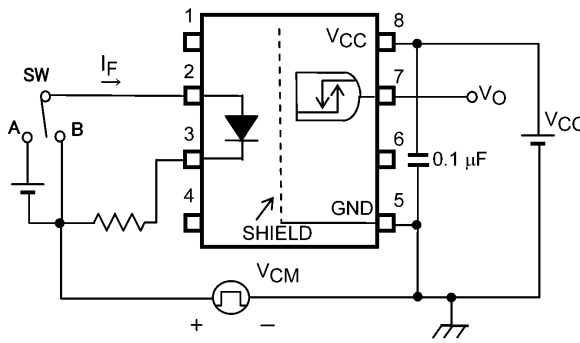


Fig. 12.1.9 Common-Mode Transient Immunity Test Circuit

**13. Soldering and Storage**

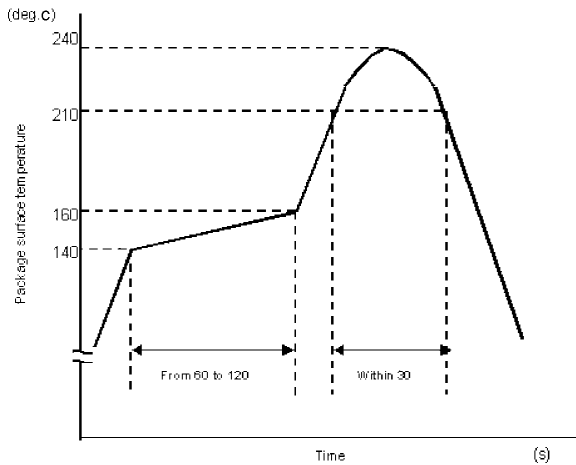
**13.1. Precautions for Soldering**

The soldering temperature should be controlled as closely as possible to the conditions shown below, irrespective of whether a soldering iron or a reflow soldering method is used.

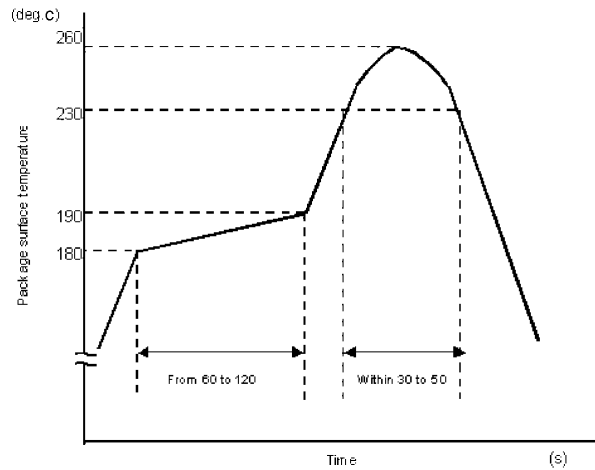
- When using soldering reflow (See Fig. 13.1.1 and 13.1.2)

Reflow soldering must be performed once or twice.

The mounting should be completed with the interval from the first to the last mountings being 2 weeks.



**Fig. 13.1.1 An example of a temperature profile when Sn-Pb eutectic solder is used**



**Fig. 13.1.2 An example of a temperature profile when lead(Pb)-free solder is used**

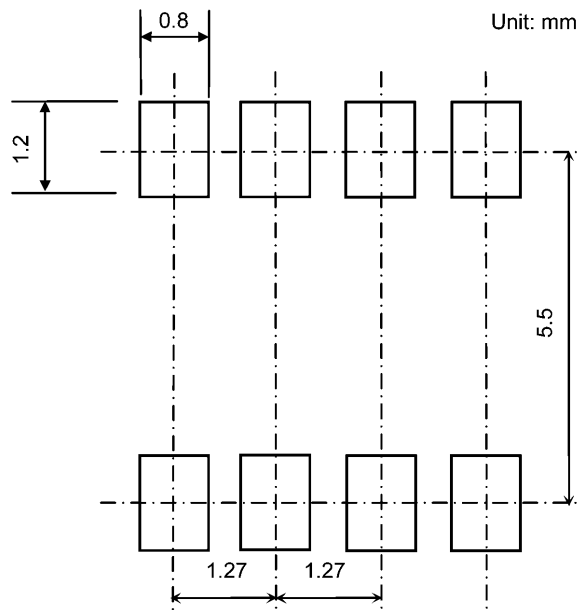
- When using soldering flow (Applicable to both eutectic solder and Lead(Pb)-Free solder)  
Apply preheating of 150°C for 60 to 120 seconds.  
Mounting condition of 260°C within 10 seconds is recommended.  
Flow soldering must be performed once.
- When using soldering Iron (Applicable to both eutectic solder and Lead(Pb)-Free solder)  
Complete soldering within 10 seconds for lead temperature not exceeding 260°C or within 3 seconds not exceeding 350°C  
Heating by soldering iron must be done only once per lead.

**13.2. Precautions for General Storage**

- Avoid storage locations where devices may be exposed to moisture or direct sunlight.
- Follow the precautions printed on the packing label of the device for transportation and storage.
- Keep the storage location temperature and humidity within a range of 5°C to 35°C and 45% to 75%, respectively.
- Do not store the products in locations with poisonous gases (especially corrosive gases) or in dusty conditions.
- Store the products in locations with minimal temperature fluctuations. Rapid temperature changes during storage can cause condensation, resulting in lead oxidation or corrosion, which will deteriorate the solderability of the leads.
- When restoring devices after removal from their packing, use anti-static containers.
- Do not allow loads to be applied directly to devices while they are in storage.
- If devices have been stored for more than two years under normal storage conditions, it is recommended that you check the leads for ease of soldering prior to use.

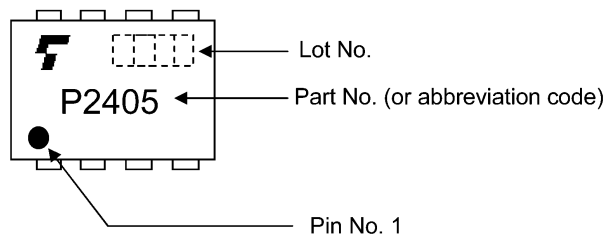


**14. Land pattern dimensions for reference only**



**Fig. 14.1 Land pattern dimensions for reference only**

**15. Marking**



**Fig. 15.1 Marking**

**16. EN60747-5-2 Option (V4) Specification**

- Part number: TLP2405(F) (**Note**)
- The following part naming conventions are used for the devices that have been qualified according to option (V4) of EN60747.

Example: TLP2405(V4-TPL,F)

V4: EN60747 option

TPL: tape and reel type

F:[[G]]/RoHS COMPATIBLE (**Note 1**)

Note: Use TOSHIBA standard type number for safety standard application.  
e.g., TLP2405(V4-TPL,F) → TLP2405

Note 1: Please contact your TOSHIBA sales representative for details as to environmental matters such as the RoHS compatibility of Product.

RoHS is the Directive 2002/95/EC of the European Parliament and of the Council of 27 January 2003 on the restriction of the use of certain hazardous substances in electrical and electronics equipment.

Description	Symbol	Rating	Unit
Application classification for rated mains voltage ≤ 150Vrms for rated mains voltage ≤ 300Vrms		I-IV I-III	—
Climatic classification		40 / 100 / 21	—
Pollution degree		2	—
Maximum operating insulation voltage	V <sub>IORM</sub>	565	Vpk
Input to output test voltage, Method A V <sub>pr</sub> =1.5 × V <sub>IORM</sub> , type and sample test t <sub>p</sub> =10s, partial discharge<5pC	V <sub>pr</sub>	850	Vpk
Input to output test voltage, Method B V <sub>pr</sub> =1.875 × V <sub>IORM</sub> , 100% production test t <sub>p</sub> =1s, partial discharge<5pC	V <sub>pr</sub>	1060	Vpk
Highest permissible overvoltage (transient overvoltage, t <sub>pr</sub> =60s)	V <sub>TR</sub>	6000	Vpk
Safety limiting values (max. permissible ratings in case of fault, also refer to thermal derating curve) current (input current I <sub>F</sub> , P <sub>so</sub> =0) power (output or total power dissipation) temperature	I <sub>si</sub> P <sub>so</sub> T <sub>s</sub>	250 400 150	mA mW °C
Insulation resistance V <sub>IO</sub> =500V, T <sub>a</sub> =T <sub>s</sub>	R <sub>si</sub>	≥10 <sup>9</sup>	Ω

**Fig. 16.1 EN60747 Insulation Characteristics**

Minimum creepage distance	Cr	4.0mm
Minimum clearance	Cl	4.0mm
Minimum insulation thickness	ti	—
Comparative tracking index	CTI	175

**Fig. 16.2 Insulation Related Specification (Note)**

Note: If a printed circuit is incorporated, the creepage distance and clearance may be reduced below this value. (e. g., at a standard distance between soldering eye centres of 3.5mm). If this is not permissible, the user shall take suitable measures.

Note: This photocoupler is suitable for **safe electrical isolation** only within the safety limit data. Maintenance of the safety data shall be ensured by means of protective circuits.

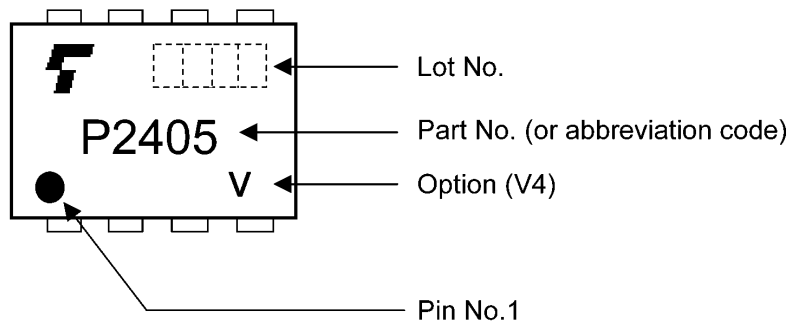
VDE test sign : Marking on product  
for EN60747



: Marking on packing  
for EN60747

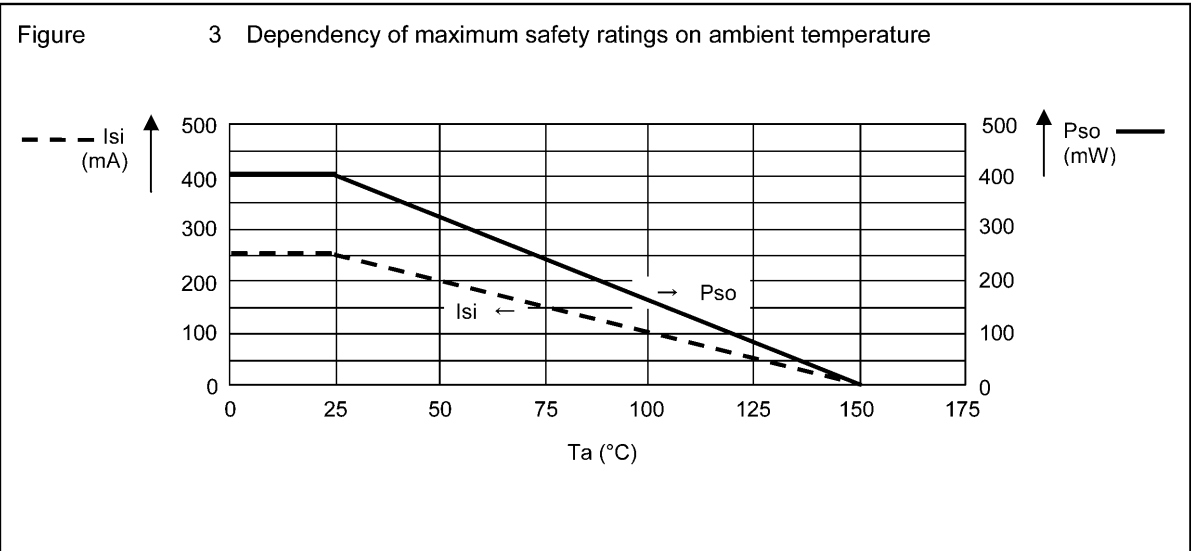
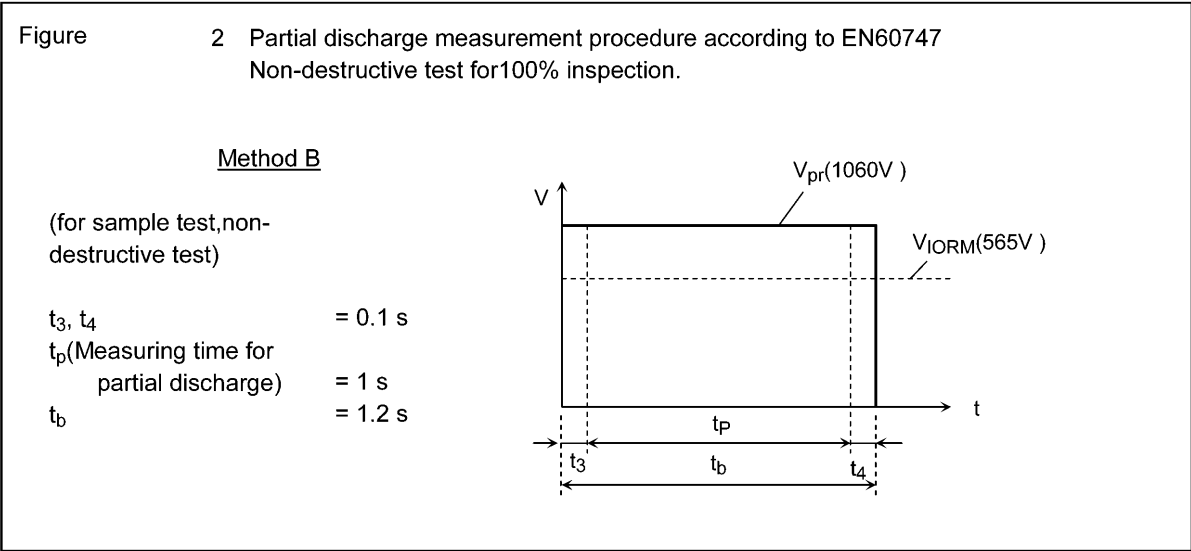
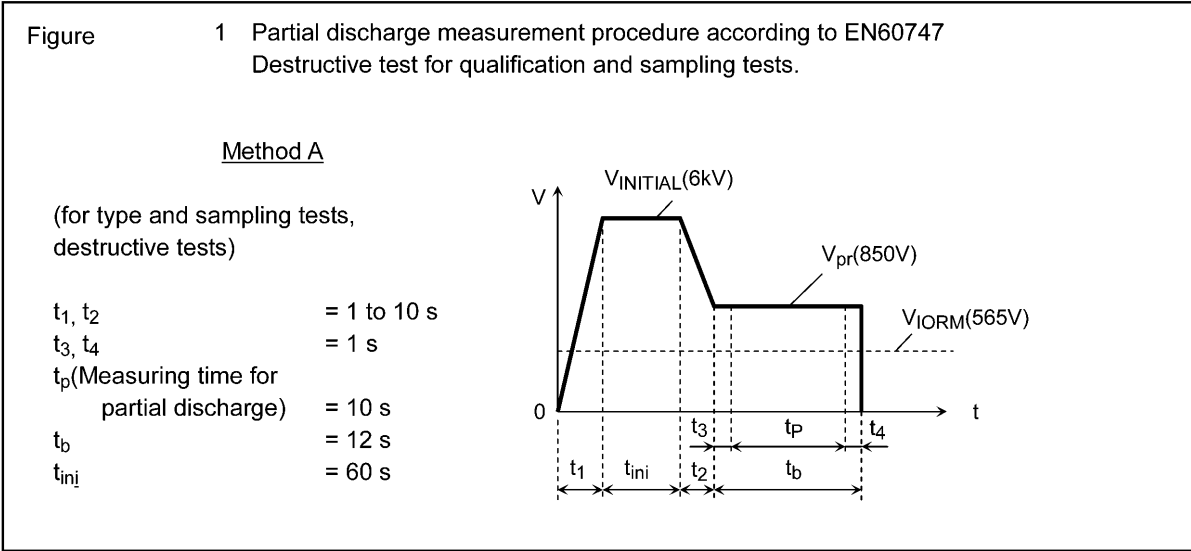


Marking Example : TLP2405(F)



**Fig. 16.3 Marking Example (Note)**

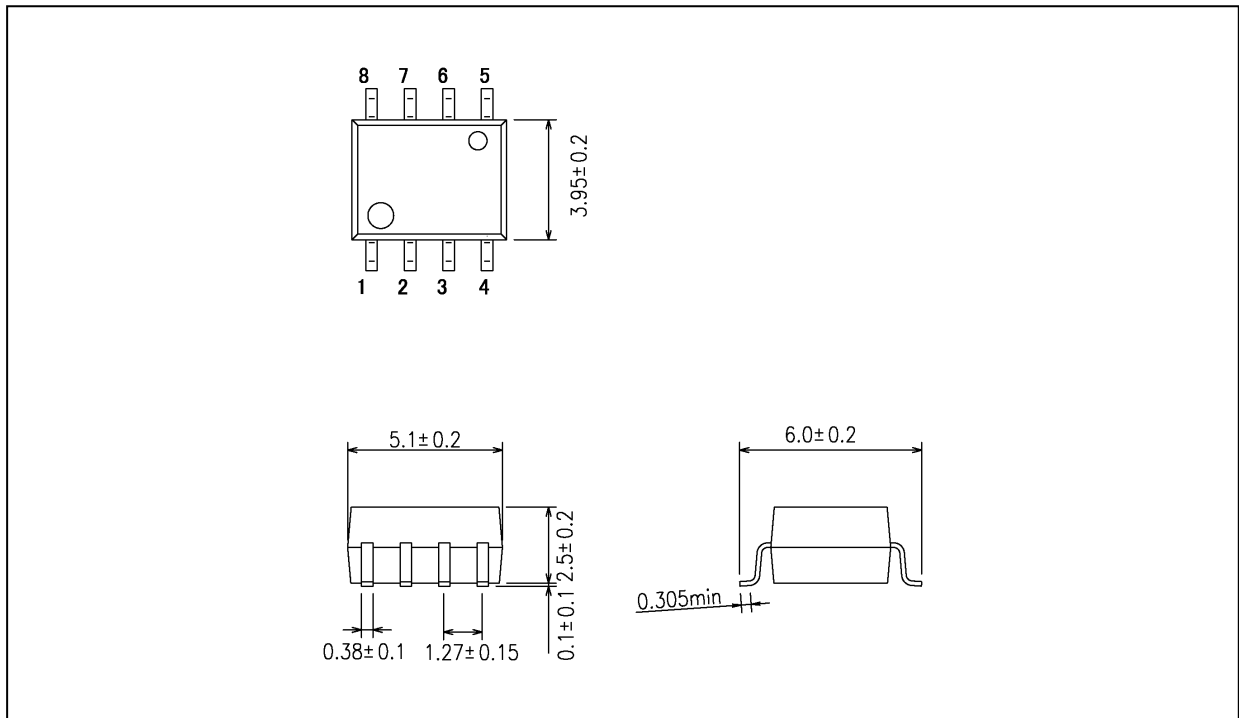
Note: The above marking is applied to the photocouplers that have been qualified according to option (V4) of EN60747.



**Fig. 16.4 Test Results**

**Package Dimensions**

Unit: mm



Weight: 0.11 g (typ.)

Package Name(s)
TOSHIBA: 11-5K1S
Nickname: SO8

## RESTRICTIONS ON PRODUCT USE

- Toshiba Corporation, and its subsidiaries and affiliates (collectively "TOSHIBA"), reserve the right to make changes to the information in this document, and related hardware, software and systems (collectively "Product") without notice.
- This document and any information herein may not be reproduced without prior written permission from TOSHIBA. Even with TOSHIBA's written permission, reproduction is permissible only if reproduction is without alteration/omission.
- Though TOSHIBA works continually to improve Product's quality and reliability, Product can malfunction or fail. Customers are responsible for complying with safety standards and for providing adequate designs and safeguards for their hardware, software and systems which minimize risk and avoid situations in which a malfunction or failure of Product could cause loss of human life, bodily injury or damage to property, including data loss or corruption. Before customers use the Product, create designs including the Product, or incorporate the Product into their own applications, customers must also refer to and comply with (a) the latest versions of all relevant TOSHIBA information, including without limitation, this document, the specifications, the data sheets and application notes for Product and the precautions and conditions set forth in the "TOSHIBA Semiconductor Reliability Handbook" and (b) the instructions for the application with which the Product will be used with or for. Customers are solely responsible for all aspects of their own product design or applications, including but not limited to (a) determining the appropriateness of the use of this Product in such design or applications; (b) evaluating and determining the applicability of any information contained in this document, or in charts, diagrams, programs, algorithms, sample application circuits, or any other referenced documents; and (c) validating all operating parameters for such designs and applications.  
**TOSHIBA ASSUMES NO LIABILITY FOR CUSTOMERS' PRODUCT DESIGN OR APPLICATIONS.**
- Product is intended for use in general electronics applications (e.g., computers, personal equipment, office equipment, measuring equipment, industrial robots and home electronics appliances) or for specific applications as expressly stated in this document. Product is neither intended nor warranted for use in equipment or systems that require extraordinarily high levels of quality and/or reliability and/or a malfunction or failure of which may cause loss of human life, bodily injury, serious property damage or serious public impact ("Unintended Use"). Unintended Use includes, without limitation, equipment used in nuclear facilities, equipment used in the aerospace industry, medical equipment, equipment used for automobiles, trains, ships and other transportation, traffic signaling equipment, equipment used to control combustions or explosions, safety devices, elevators and escalators, devices related to electric power, and equipment used in finance-related fields. Do not use Product for Unintended Use unless specifically permitted in this document.
- Do not disassemble, analyze, reverse-engineer, alter, modify, translate or copy Product, whether in whole or in part.
- Product shall not be used for or incorporated into any products or systems whose manufacture, use, or sale is prohibited under any applicable laws or regulations.
- The information contained herein is presented only as guidance for Product use. No responsibility is assumed by TOSHIBA for any infringement of patents or any other intellectual property rights of third parties that may result from the use of Product. No license to any intellectual property right is granted by this document, whether express or implied, by estoppel or otherwise.
- **ABSENT A WRITTEN SIGNED AGREEMENT, EXCEPT AS PROVIDED IN THE RELEVANT TERMS AND CONDITIONS OF SALE FOR PRODUCT, AND TO THE MAXIMUM EXTENT ALLOWABLE BY LAW, TOSHIBA (1) ASSUMES NO LIABILITY WHATSOEVER, INCLUDING WITHOUT LIMITATION, INDIRECT, CONSEQUENTIAL, SPECIAL, OR INCIDENTAL DAMAGES OR LOSS, INCLUDING WITHOUT LIMITATION, LOSS OF PROFITS, LOSS OF OPPORTUNITIES, BUSINESS INTERRUPTION AND LOSS OF DATA, AND (2) DISCLAIMS ANY AND ALL EXPRESS OR IMPLIED WARRANTIES AND CONDITIONS RELATED TO SALE, USE OF PRODUCT, OR INFORMATION, INCLUDING WARRANTIES OR CONDITIONS OF MERCHANTABILITY, FITNESS FOR A PARTICULAR PURPOSE, ACCURACY OF INFORMATION, OR NONINFRINGEMENT.**
- GaAs (Gallium Arsenide) is used in Product. GaAs is harmful to humans if consumed or absorbed, whether in the form of dust or vapor. Handle with care and do not break, cut, crush, grind, dissolve chemically or otherwise expose GaAs in Product.
- Do not use or otherwise make available Product or related software or technology for any military purposes, including without limitation, for the design, development, use, stockpiling or manufacturing of nuclear, chemical, or biological weapons or missile technology products (mass destruction weapons). Product and related software and technology may be controlled under the Japanese Foreign Exchange and Foreign Trade Law and the U.S. Export Administration Regulations. Export and re-export of Product or related software or technology are strictly prohibited except in compliance with all applicable export laws and regulations.
- Please contact your TOSHIBA sales representative for details as to environmental matters such as the RoHS compatibility of Product. Please use Product in compliance with all applicable laws and regulations that regulate the inclusion or use of controlled substances, including without limitation, the EU RoHS Directive. TOSHIBA assumes no liability for damages or losses occurring as a result of noncompliance with applicable laws and regulations.