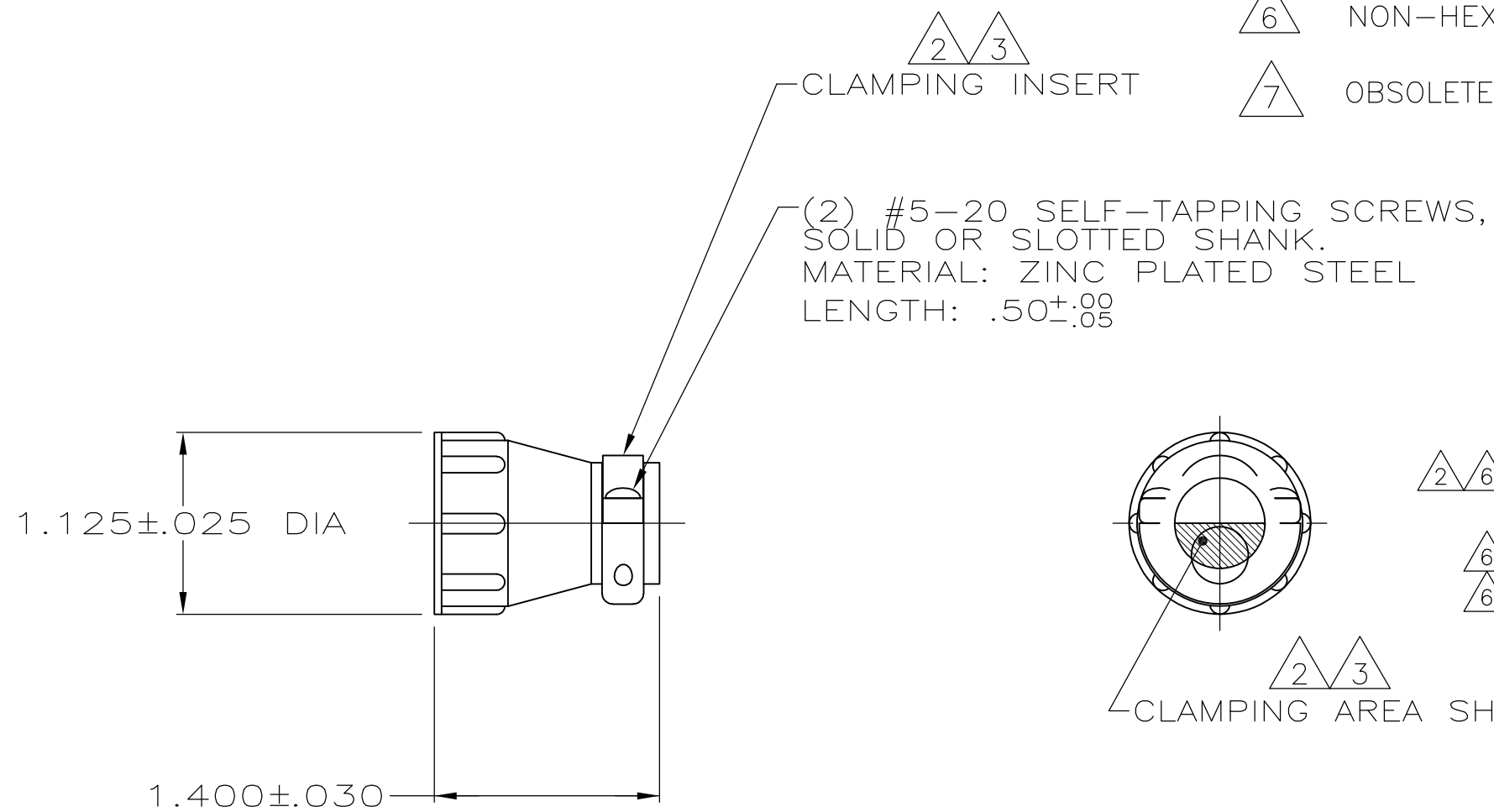


THIS DRAWING IS UNPUBLISHED. RELEASED FOR PUBLICATION  
 © COPYRIGHT BY TYCO ELECTRONICS CORPORATION. ALL INTERNATIONAL RIGHTS RESERVED.

| LOC | DIST | REVISIONS   |                           |         |        |
|-----|------|-------------|---------------------------|---------|--------|
| P   | LTR  | DESCRIPTION | DATE                      | DWN     | APVD   |
| FT  | 0    | N           | REVISED PER ECO-08-029122 | 22NOV08 | HMR MS |
|     |      | N1          | REVISED PER ECO-09-021826 | 11JAN10 | KK AEG |

- 1 PART PACKAGED UNASSEMBLED.
- 2 CABLE CLAMPING AREA ADJUSTABLE FROM .010 TO .161 SQ IN BY REVERSING CLAMPING INSERTS. (2 INSERTS SUPPLIED)
- 3 CABLE CLAMPING AREA ADJUSTABLE FROM .010 TO .161 SQ IN BY CHANGING CLAMPING INSERTS. (4 INSERTS SUPPLIED, -4 ONLY)
- 4 .453 MAXIMUM CABLE OUTSIDE DIAMETER.
- 5 BULK PACKAGED KITS TO BE ORDERED IN MULTIPLES OF 200 ONLY.
- 6 NON-HEXAVALENT CHROMATE FINISH.
- 7 OBSOLETE PARTS: OBSOLETE CIS STREAMLINING PER D.RENAUD/D.SINISI



| PACKAGING           | PART NUMBER         |
|---------------------|---------------------|
| INDIVIDUAL          | 1-206070-1          |
| BULK                | 1-206070-0          |
| OBSOLETE SMALL PACK | <del>206070-9</del> |
| INDIVIDUAL          | 206070-8            |
| OBSOLETE INDIVIDUAL | <del>206070-7</del> |
| OBSOLETE SMALL PACK | <del>206070-6</del> |
| OBSOLETE BULK       | <del>206070-4</del> |
| BULK                | 206070-3            |
| INDIVIDUAL          | 206070-1            |

|  |  |                              |   |                 |
|--|--|------------------------------|---|-----------------|
| THIS DRAWING IS A CONTROLLED DOCUMENT. |  | DWN<br>A GRAFF<br>4/23/91    | Tyco Electronics Corporation<br>Harrisburg, PA 17105-3608 |                 |
| DIMENSIONS:<br>INCHES                  |  | CHK<br>W.G.LENKER<br>7-22-92 | NAME<br>CABLE CLAMP KIT, STANDARD,<br>SHELL SIZE 17, CPC  |                 |
| TOLERANCES UNLESS OTHERWISE SPECIFIED: |  | APVD<br>-                    | PRODUCT SPEC<br>108-10024                                 |                 |
| 0 PLC ± -                              |  | APPLICATION SPEC             |   |                 |
| 1 PLC ± -                              |  | -                            |   |                 |
| 2 PLC ± -                              |  | WEIGHT<br>-                  |   |                 |
| 3 PLC ± -                              |  | SIZE<br>A3                   |   |                 |
| 4 PLC ± -                              |  | CAGE CODE<br>00779           |   |                 |
| ANGLES ± -                             |  | DRAWING NO<br>C-206070       |   |                 |
| FINISH<br>-                            |  | RESTRICTED TO<br>-           |   |                 |
| MATERIAL<br>THERMOPLASTIC              |  | CUSTOMER DRAWING             |   |                 |
|  |  | SCALE<br>NTS                 |   | SHEET<br>1 OF 1 |
|  |  | REV<br>N1                    |   |                 |