

5

4

3

2

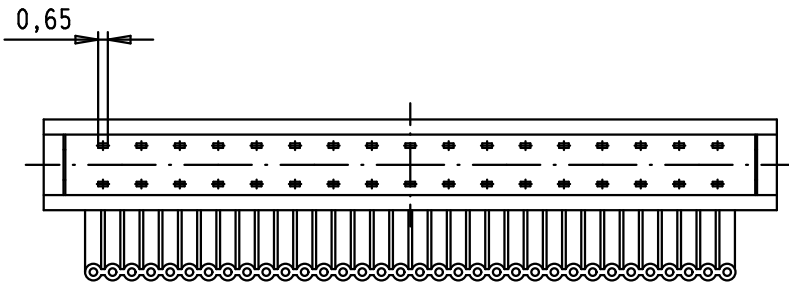
1

D

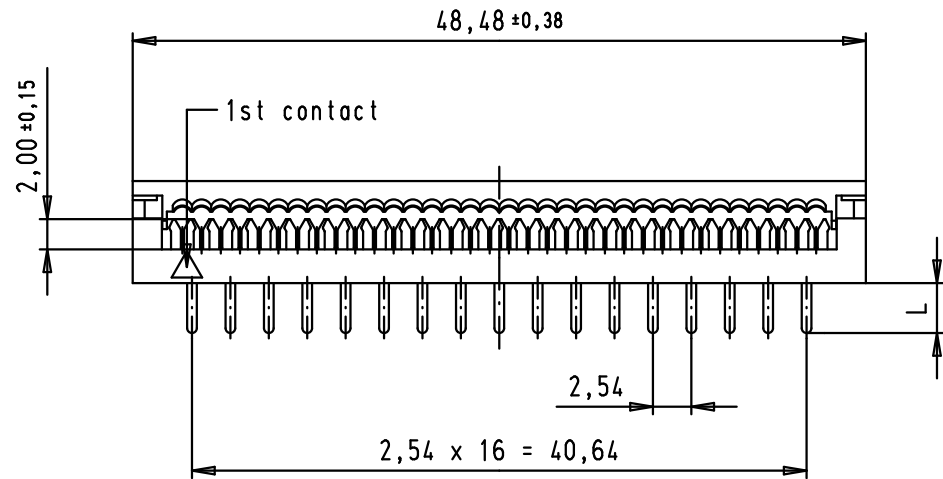
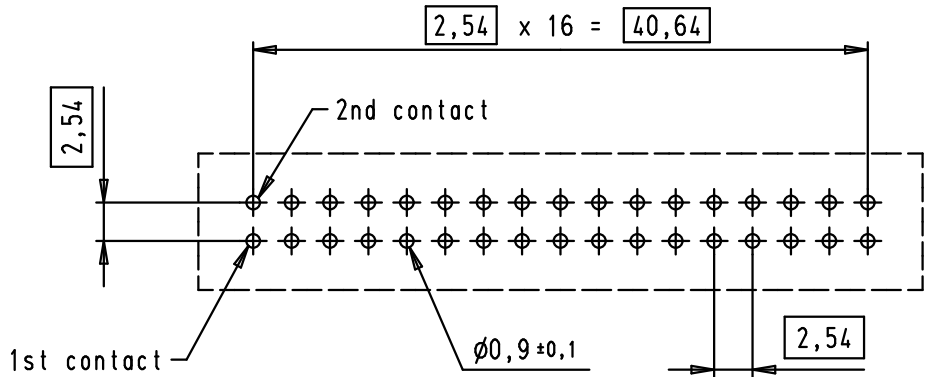
C

B

A

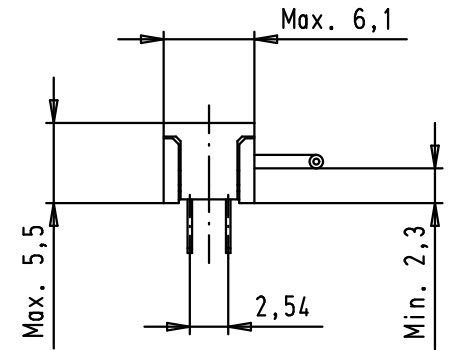
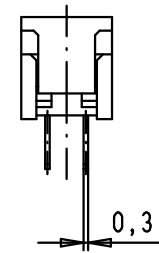


PCB layout, component side



PRE-ASSEMBLED

ASSEMBLED



Mod.	Dat.	Name	Dat.	Name
			02/04/04	JH
34919	30/05/08	PK		
34889	08/04/08	PK		
31884	02/04/04	JH		
			HARTING EURL F-95972 Paris	



All Dim. in mm
Orig. Size DIN A 4



SEK 18, low profile,
PCB transition,
34 poles, 2 rows

09 18 134 9622.210	3,0 ⁰ ±0,25	PRE-ASSEMBLED
09 18 134 9622.200	3,3 ^{±0} ±0,25	NON ASSEMBLED
09 18 134 9622	3,3 ^{±0} ±0,25	PRE-ASSEMBLED
Part number	L	COVER

TB 09 18 134 9622

Maßstab/
Scale

2:1

Blatt/ Page

1 / 1

Sub.