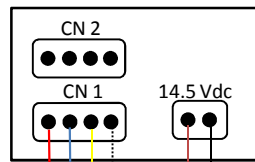
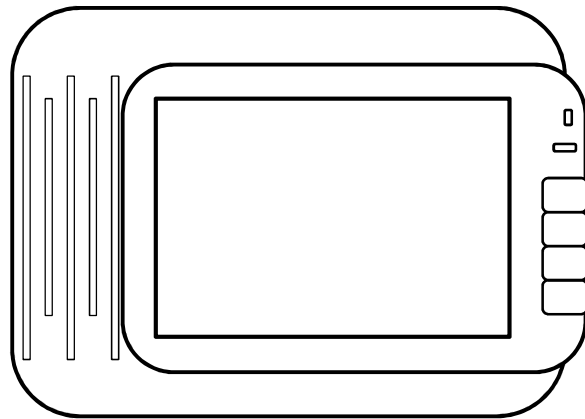


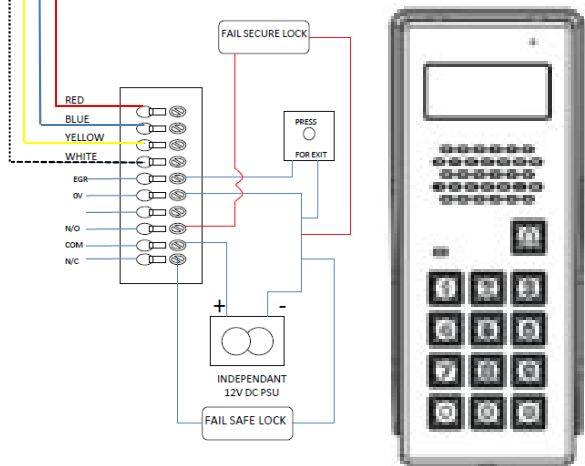
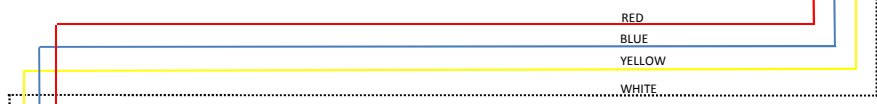
1 doors with keypad + 1 Mon - wiring

Maximum Cable Distance From
The Furthest Monitor To The
Camera

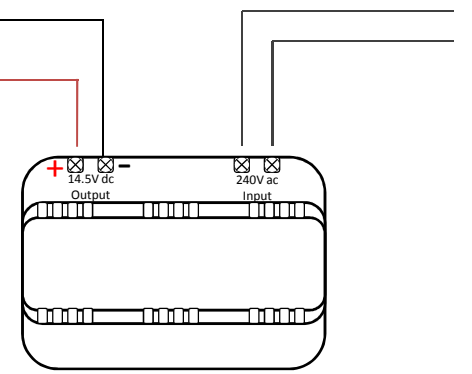
Cable diameter	distance
=0. 2 ² mm	28meters
= 0. 3 ² mm	50meters
=0. 5 ² mm	70 meters



240V ac Input



NOTE :- The keypad and relay will not operate until the *independent power supply* is connected to the keypad



The power supply that is supplied with the video kit is not to be used to power any locks.